

ROCK SHOX



◀ GoTo
Index

(english) spare parts catalog

SRAM® ORIGINAL PARTS

CAUTION:

The SRAM Warranty policy does not cover damages caused by the use of non-SRAM parts.

Use only SRAM parts with SRAM components.

Installation of parts and accessories not originally intended could result in less than optimal performance and/or injury.

For in-depth service information on SRAM products, refer to our website at www.sram.com/service. Contact your local SRAM distributor or dealer for ordering information.

Information contained in this publication is subject to change at any time without prior notice. Your product's appearance may vary from the diagrams contained in this catalog.

TABLE OF CONTENTS

SUSPENSION SEAT POSTS

6-13 Reverb™

SUSPENSION FORKS

14-15 Paragon™
16-17 XC28
18-22 XC30
23-24 30 Silver™
25-26 30 Gold™
27-29 XC32
30-40 Recon™ Silver
41-43 Recon™ Gold
44-49 Sektor™ Silver
50-52 Sektor™ Gold
53-54 Bluto™
55-60 Reba®
61-69 SID®
70-71 RS-1™
72-75 Revelation™
76-86 Pike®
87-88 Domain™
89-90 Domain™ Dual Crown
91-93 Yari™
94-99 Lyrik™
100-101 Totem™
102-103 Argyle™
104-107 BoXXer®

REAR SUSPENSION

108 Bar™
109 Mounting Hardware 12mm x 12mm
110 Ario™
111-125 Monarch™
126-131 Monarch Plus™
132-133 Deluxe™
134-135 Super Deluxe™
136 Metric Hardware
137-138 Kage™
139-151 Vivid™
152 Mounting Hardware 1/2" x 1/2"

MISCELLANEOUS

153-154 Maxle™
155-156 OneLoc™ / PushLoc™
157-158 XLoc™
159-160 Bulk Spares / Service Kits
161 Upgrade Kits / Tools / Lubricants
162-167 Travel Change
168 Bottomless Token Chart

ROCK
SHOX
ROCK
SHOX
ROCK
SHOX
ROCK
SHOX
ROCK
SHOX



Notes:

Rider's Right / Drive Side = R
Rider's Left / Non-Drive Side = L



ns = not shown

Year denotes model year

Determining date from serial number:

25T3XXXXXX -

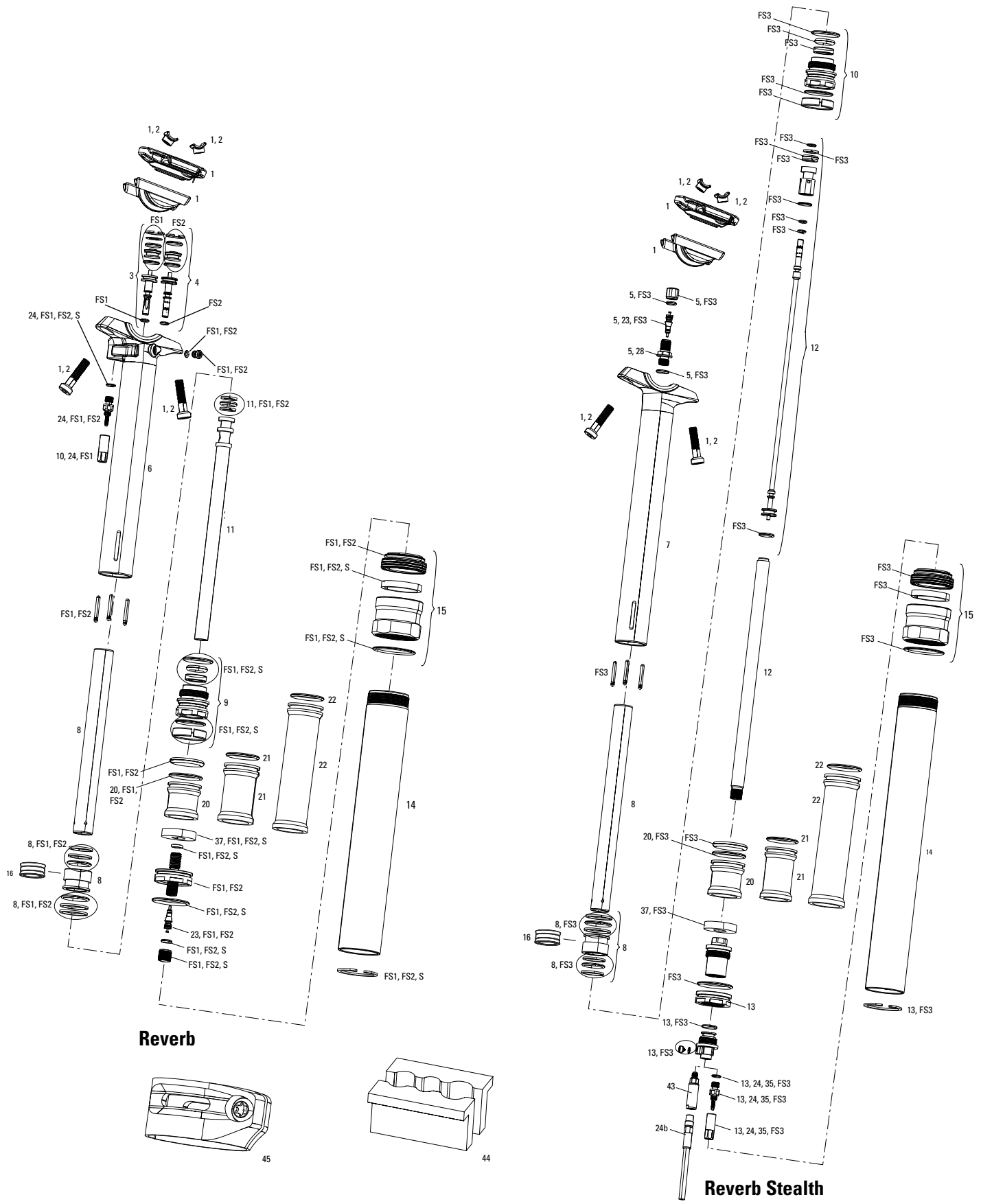
'25' is the week of the year in which the product was made

'T' is an abbreviation for factory location (in this instance, Taiwan)

'3' is the last digit of the year in which it was made (2013 in this case)

Refer to the RockShox Technical Manual (www.sram.com/service) for service instructions, oil volumes and torque values.

REVERB / REVERB STEALTH A1 & A2

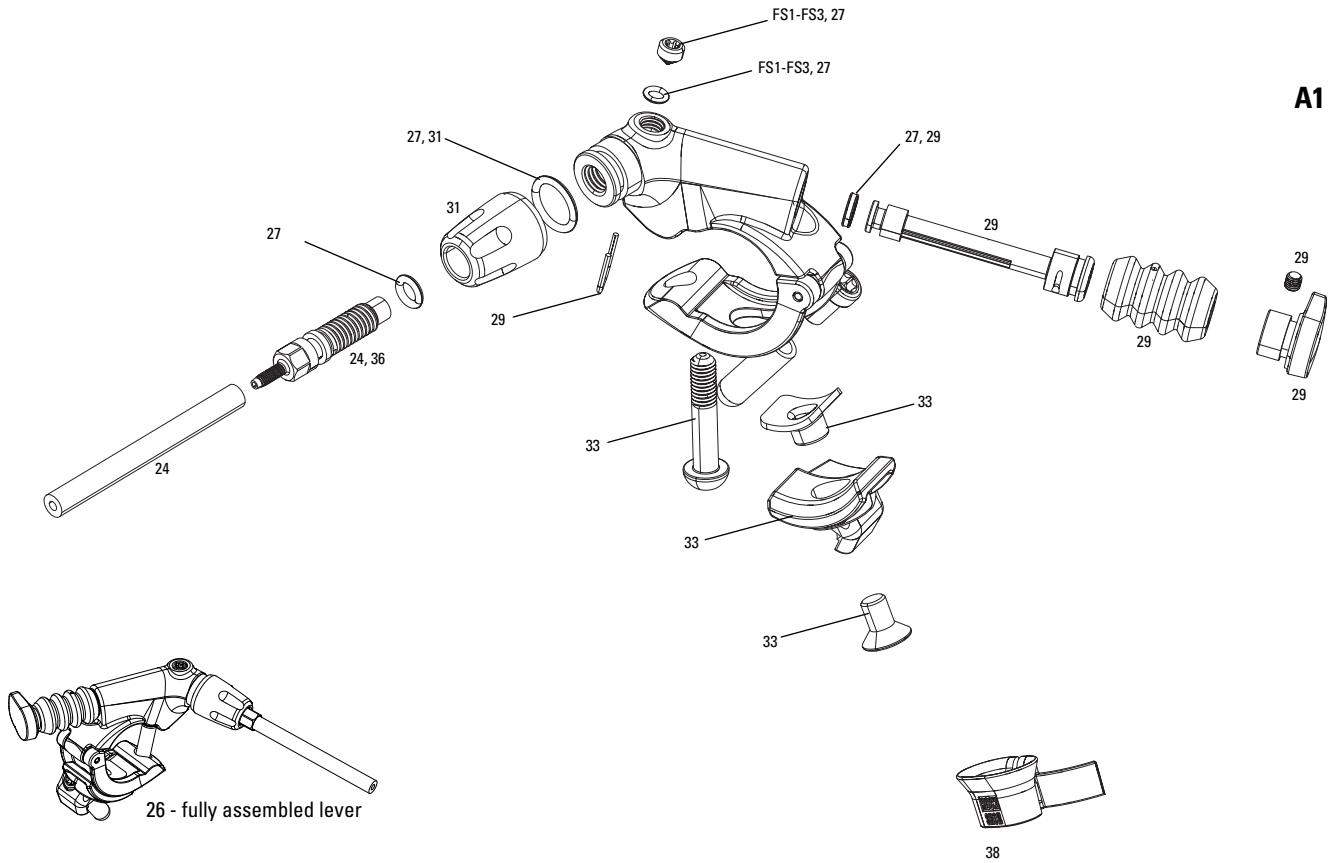


Reverb

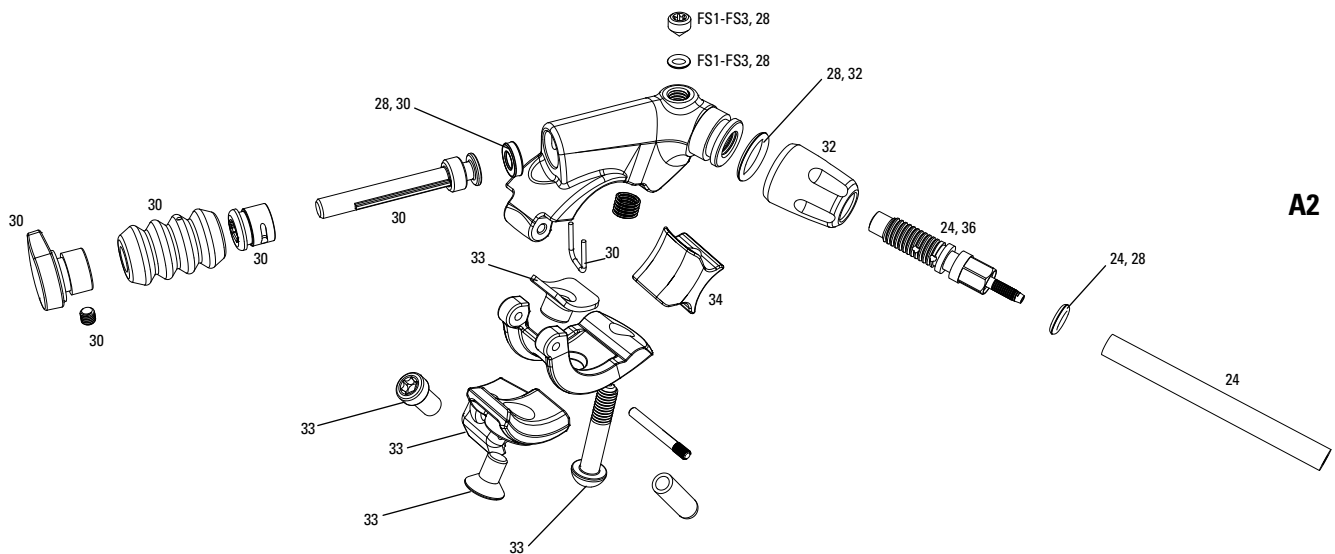
Reverb Stealth

REVERB / REVERB STEALTH A1 & A2

A1

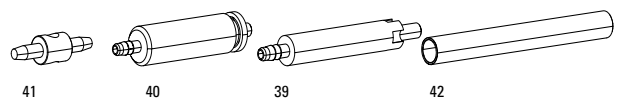


A2



Note:

1. A1 - Remote silver adjuster knob - compatible with A1 Reverb only (2011-2013)
2. A2 - Remote black adjuster knob - compatible with A2 & B1 Reverb only (2013-2016)
3. A1 - specific parts not compatible with A2
4. As of MY16, there is a new IFP for Reverb and Reverb Stealth that does not use the two backup rings. Current full service kits include the new IFP, which is retrofittable into any Reverb or Reverb Stealth
5. If Reverb is sinking into travel or experiencing bypass, please use new IFP tube and inner seal head.



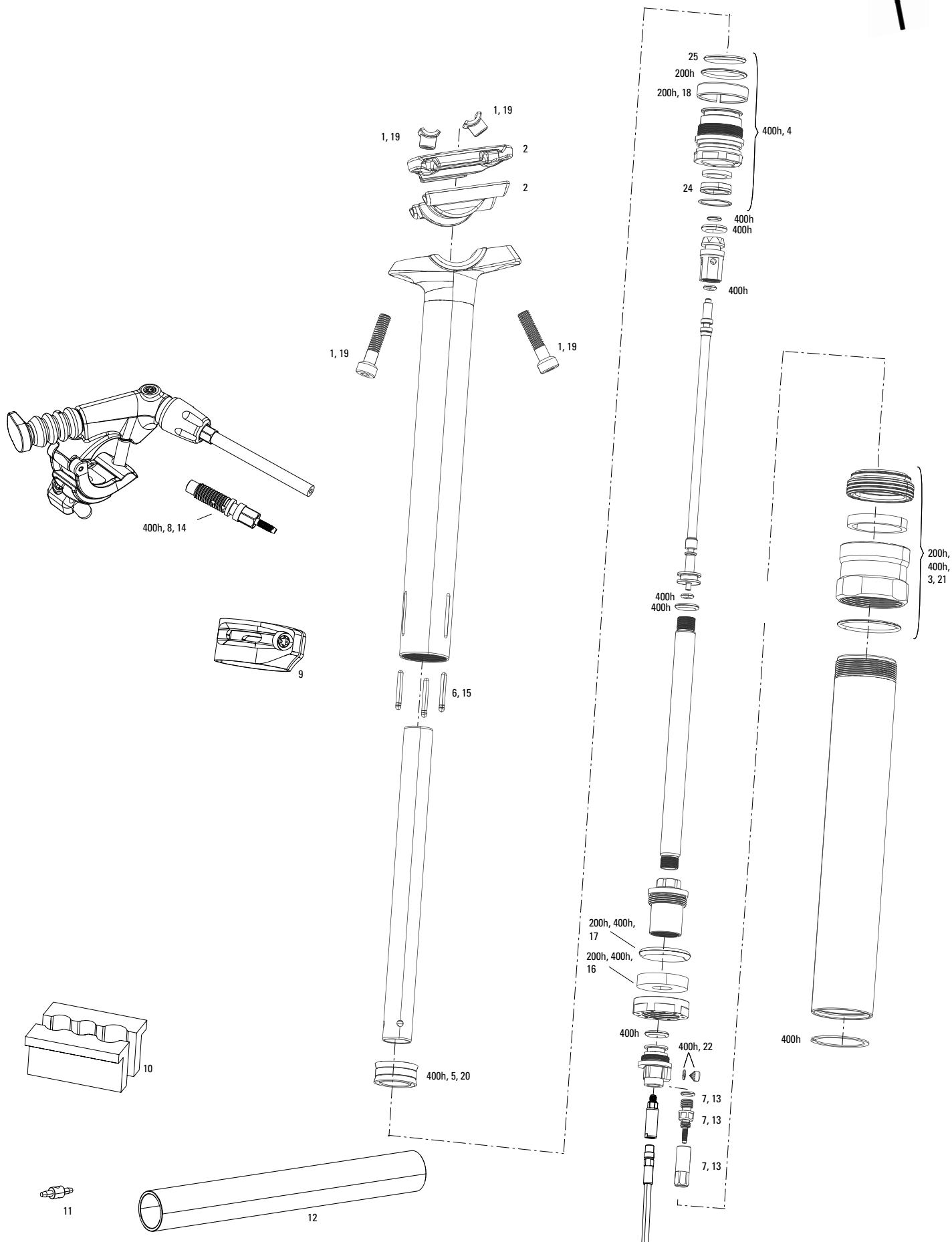
REVERB / REVERB STEALTH A1 & A2

No.	Part Number	Description
1	11.6815.006.010	Post Clamp Kit - Reverb (includes upper/lower clamp plates/clamp nuts/clamp bolts)
2	11.6818.032.000	Clamp Nut and Bolt Kit (Includes clamp nuts and bolts only) Reverb & Reverb Stealth B1(2017)
2	11.6815.007.010	Clamp Nut and Bolt Kit - Reverb
3	11.6818.013.000	Reverb Poppet Kit A1 (use with A1 upper assembly and A1 remote only)
4	11.6818.013.010	Reverb Poppet Kit A2 (use with A2 upper assembly and A2 remote only)
5	11.6818.014.000	Reverb Stealth Air Valve Assembly
6	11.6818.015.020	Reverb Upper Assy 100mm A2 (use with A2 poppet and A2 remoteonly)
6	11.6818.015.030	Reverb Upper Assy 125mm A2 (use with A2 poppet and A2 remoteonly)
7	11.6818.015.040	Reverb Stealth Upper Assy 100mm A2 (use with A2 poppet and A2 remote only)
7	11.6818.015.050	Reverb Stealth Upper Assy 125mm A2 (use with A2 poppet and A2 remote only)
7	11.6818.015.060	Reverb Stealth Upper Assy 150mm A2 (use with A2 poppet and A2 remote only)
8	11.6818.016.030	Reverb/Reverb Stealth IFF Tube 100mm (includes new, upgradedIFF)
8	11.6818.016.040	Reverb/Reverb Stealth IFF Tube 125mm (includes new, upgradedIFF)
8	11.6818.016.050	Reverb/Reverb Stealth IFF Tube 150mm (includes new, upgradedIFF)
9	11.6818.017.000	Reverb Inner SealHead
10	11.6818.017.020	Reverb Stealth Inner SealHead New
11	11.6818.018.000	Reverb Main Piston/Shaft 355X100mm/380X125mm
11	11.6818.018.010	Reverb Main Piston/Shaft 420x100mm
11	11.6818.018.020	Reverb Main Piston/Shaft 420x125mm
12	11.6818.019.000	Reverb Stealth A1 Main Piston/Poppet Kit 355x100mm/380x125mm(use with A1 upper assembly and A1 remote only)
12	11.6818.019.010	Reverb Stealth A1 Main Piston/Poppet Kit 420x100mm (use withA1 upper assembly and A1 remote only)
12	11.6818.019.020	Reverb Stealth A1 Main Piston/Poppet Kit 420x125mm (use withA1 upper assembly and A1 remote only)
12	11.6818.019.030	Reverb Stealth A2 Main Piston/Poppet Kit 355x100mm/380x125mm(use with A2 upper assembly and A2 remote only)
12	11.6818.019.040	Reverb Stealth A2 Main Piston/Poppet Kit 420x100mm (use withA2 upper assembly and A2 remote only)
12	11.6818.019.050	Reverb Stealth A2 Main Piston/Poppet Kit 420x125mm (use withA2 upper assembly and A2 remote only)
12	11.6818.019.060	Reverb Stealth Main Piston/Poppet Kit 430x150mm
13	11.6815.030.010	Lower Hose Barb Assembly Kit - Reverb Stealth
14	11.6815.009.010	Lower/Outer Tube 355x100, 380x125/100 30.9 - Reverb (includes lower/outer tube only)
14	11.6815.009.020	Lower/Outer Tube 355x100, 380x125/100 31.6 - Reverb (includes lower/outer tube only)
14	11.6818.020.000	Lower/Outer Tube 355/380 34.9 - Reverb (includes lower/outertube only)
14	11.6815.009.030	Lower/Outer Tube 420x125 30.9 - Reverb (includes lower/outertube only)
14	11.6815.009.040	Lower/Outer Tube 420x125 31.6 - Reverb (includes lower/outertube only)
14	11.6818.020.020	Lower/Outer Tube 420x100 34.9 - Reverb (includes lower/outertube only)
14	11.6815.009.070	Lower/Outer Tube 420x100 30.9 - Reverb (includes lower/outertube only)
14	11.6815.009.080	Lower/Outer Tube 420x100 31.6 - Reverb (includes lower/outertube only)
14	11.6818.020.010	Lower/Outer Tube 420x125 34.9 - Reverb (includes lower/outertube only)
14	11.6818.020.030	Lower/Outer Tube 430x150 30.9 - Reverb (includes lower/outertube only)
14	11.6818.020.040	Lower/Outer Tube 430x150 31.6 - Reverb (includes lower/outertube only)
14	11.6818.020.050	Lower/Outer Tube 430x150 34.9 - Reverb (includes lower/outertube only)
15	11.6815.010.010	Top Cap/Dust Wiper Assembly Kit - Reverb
15	11.6815.010.020	Top Cap Black/Dust Wiper Assembly Kit - Reverb
16	11.6818.034.000	Internal Floating Piston (Upgrade for A1 and A2 Post) - Reverb & Reverb Stealth A1, A2, and B1
16	11.6818.035.009	Bulk Internal Floating Piston Qty 10 (Includes 10 IFF's) - Reverb and Reverb Stealth A2and B1
FS1	11.6818.003.010	Reverb Full Service Kit (includes new, upgraded IFF; requires post bleed tool, oil height tool and IFF height tool) - A1(2010-2012)
FS2	11.6818.021.010	Reverb Full Service Kit (includes new, upgraded IFF; requires post bleed tool, oil height tool and IFF height tool) - A2(2013-2016)
FS3	11.6818.022.020	Reverb Stealth Full Service Kit New (includes new, upgradedIFF; requires post bleed tool, oil height tool and IFF height tool) - A2 (2013-2016)
S	11.6815.031.000	Reverb Basic Service Kit (includes o-rings only)
20	11.6818.023.000	Reverb Volume Spacers 355x100mm
21	11.6818.023.010	Reverb Volume Spacers 420x100mm
22	11.6818.023.020	Reverb Volume Spacers 420x125mm
23	11.4308.327.002	Schrader Valve Core Qty 2
24a	11.6815.025.010	Hydraulic Hose (2000mm) Kit - Reverb (includes new hose, newstrain relief, new barb)
24a	11.6815.025.020	Hydraulic Hose White (2000mm) Kit - Reverb (includes new hose, new strain relief, new barb)
24b	11.6815.025.030	Hydraulic Hose (2000mm) Kit - Reverb Connectamajig (use onlywith Connectamajig Post) A2
25	11.6815.028.010	Strain Relief (Hydraulic Hose)- Reverb New
26	11.6815.026.010	Remote Lever Assembly/new hose Kit (Left/MMX) - Reverb (includes left remote lever, MMX clamp, new hose 1500mm, new hosebarb, new strain relief)
26	11.6815.026.020	Remote Lever Assembly/new hose Kit (Right/MMX) - Reverb (includes right remote lever, MMX clamp, new hose 1500mm, new hose barb, new strain relief)
26	11.6815.026.030	Remote Lever Assembly/new hose Kit (Left) - Reverb (includesleft remote lever, new hose 1500mm, new hose barb, new strain relief)
26	11.6815.026.040	Remote Lever Assembly/new hose Kit (Right) - Reverb (includes right remote lever, new hose 1500mm, new hose barb, new strain relief)
26	11.6815.026.050	Remote Lever Assembly A2/hose Kit (Left/MMX) - Reverb (includes left remote lever, MMX clamp, discrete puck, new hose 2000mm, new hose barb, new strain relief)
26	11.6815.026.060	Remote Lever Assembly A2/hose Kit (Right/MMX) - Reverb (includes right remote lever, MMX clamp, discrete puck, new hose2000mm, new hose barb, new strain relief)
27	11.6815.015.010	Remote Lever Service Kit - Reverb
28	11.6818.024.001	Remote Lever Service Kit - Reverb New A2
29	11.6815.016.010	Button Kit, Left, Remote - Reverb
29	11.6815.016.020	Button Kit, Right, Remote - Reverb
30	11.6818.025.020	Button Kit Reverb Remote, Left New A2
30	11.6818.025.030	Button Kit Reverb Remote, Right New A2



No.	Part Number	Description
31	11.6815.027.010	Return Speed Adjuster Knob Kit, Remote - Reverb New
32	11.6818.026.000	Return Speed Adjuster Knob Kit, Remote A2 - 2013 Reverb
33	11.4315.016.010	Clamp/Bracket Hardware, XLoc Left, Ti Hardware
33	11.4315.016.020	Clamp/Bracket Hardware, XLoc Right, Ti Hardware
33	11.5315.049.010	MMX/Shifter Mounting Bracket, Left - Elixir CR Mag/X0/XX, Stainless Hardware
33	11.5315.049.020	MMX/Shifter Mounting Bracket, Right - Elixir CR Mag/X0/XX, Stainless Hardware
34	11.6818.001.000	Discrete Puck Hydraulic Remote (Spacer) For XLoc Remotes Qty2
35	11.6815.022.010	Hose Barb Reverb Post, Qty 1
35	11.6815.022.020	Hose Barb Reverb Post, Qty 10
36	11.6815.022.030	Hose Barb Reverb Remote, Qty 1
36	11.6815.022.040	Hose Barb Reverb Remote, Qty 10
37	11.6818.000.000	Foam Reverb Filter, Reverb Qty 10
38	00.4315.020.010	Cable/Hose Line Guide, Black - RockShox Qty 2
39	00.6815.066.010	Oil Height Tool - Reverb
40	00.6815.066.020	Post Bleed Tool - Reverb
41	00.6815.066.030	Barb Connector - Reverb Stealth
42	00.6815.066.040	IFP Height Tool - Reverb
43	11.4318.005.000	Connectamajig Collar Suspension Black - Reverb/XLoc Full sprint
ns	00.4318.008.000	Grease SRAM Butter 20ml Syringe, Friction Reducing Grease bySlickoleum - Recommended for X0/Rise XX/Roam 40, 30/Rail 40/Rise 60 B1/ Hub Pawls, RockShox Forks and Reverb Service
ns	00.4318.008.001	Grease SRAM Butter 1oz Container, Friction Reducing Grease by Slickoleum - Recommended for X0/Rise XX/Roam 40, 30/Rail 40/Rise 60 B1/ Hub Pawls, RockShox Forks and Reverb Service
ns	11.4315.021.070	RockShox Reverb Hydraulic Fluid, 120ml Bottle - Reverb/Sprint Remote
ns	00.4318.007.001	RockShox Standard Bleed Kit (includes 2 Syringes/fittings, Reverb Hydraulic Fluid, 120ml Bottle new)
ns	00.4315.023.010	High-Pressure Fork/Shock Pump (300 psi Max) RockShox
ns	00.4315.022.010	Schrader Valve Removal Tool Rockshox
ns	00.5315.027.000	Cable Housing/Hydraulic Line Rotating Hooks, SRAM Qty 4
44	00.4115.154.020	Rear Shock Vise blocks, 3 Hole for RockShox Monarch/Vivid/Vivid Air/Reverb
45	00.6818.006.000	Reverb Enduro Height Collar Silver

REVERB STEALTH (B1/2017)



REVERB STEALTH (B1/2017)

SPARES

No.	Part Number	Description
S200	11.6818.031.000	200 hour/1 year Service Kit (includes foam ring, inner sealhead bushing and o-rings) - Reverb & Reverb Stealth B1(2017)
S400	11.6818.031.001	400 hour/2 year Service Kit (includes new, upgraded IFP; requires post bleed tool, oil height tool and IFP height tool) Reverb Stealth B1(2017)
1	11.6818.032.000	Clamp Nut and Bolt Kit (Includes clamp nuts and bolts only) Reverb & Reverb Stealth B1(2017)
2	11.6818.032.001	Post Clamp Kit - (includes upper/lower clamp plates) - Reverb & Reverb Stealth B1(2017)
3	11.6818.030.000	Top Cap Black/Dust Wiper Assembly Kit - Reverb & Reverb Stealth B1
4	11.6818.033.000	Inner Seal Head (Contains Sealhead with bushings, o-rings,wiper seal, retaining ring) - Reverb Stealth B1(2017)
5	11.6818.034.000	Internal Floating Piston (Upgrade for A1 and A2 Post) - Reverb & Reverb Stealth A1, A2, and B1
6	11.6818.037.000	Brass Keys Size 0 Qty 3 - Reverb and Reverb Stealth A1, A2, and B1
6	11.6818.037.001	Brass Keys Size 3 Qty 3 - Reverb and Reverb Stealth A1, A2, and B1
6	11.6818.037.002	Brass Keys Size 4 Qty 3 - Reverb and Reverb Stealth A1, A2, and B1
6	11.6818.037.003	Brass Keys Size 5 Qty 3 - Reverb and Reverb Stealth A1, A2, and B1
6	11.6818.037.004	Brass Keys Size 6 Qty 3 - Reverb and Reverb Stealth A1, A2, and B1
7	11.6815.022.010	Hose Barb Reverb Post, Qty 1
8	11.6815.022.030	Hose Barb Reverb Remote, Qty 1
9	00.6818.006.000	Reverb Enduro Height Collar Silver

FLUIDS

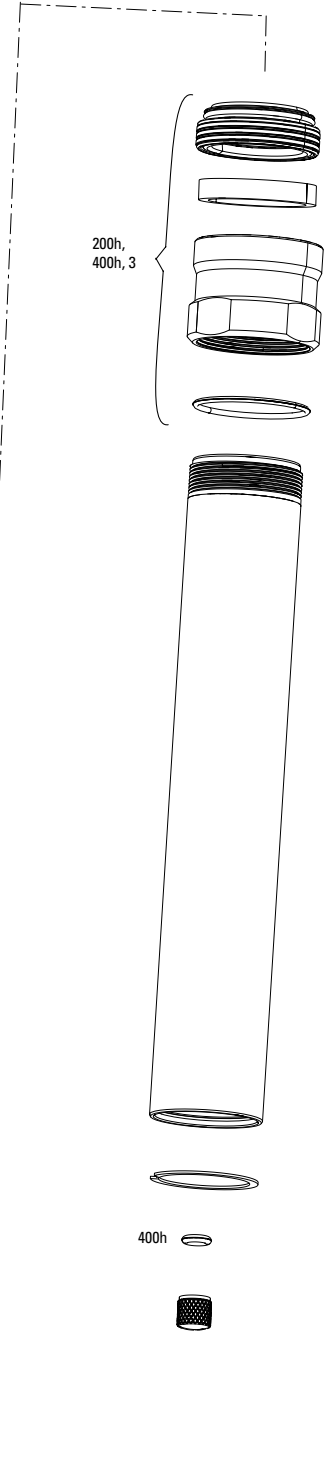
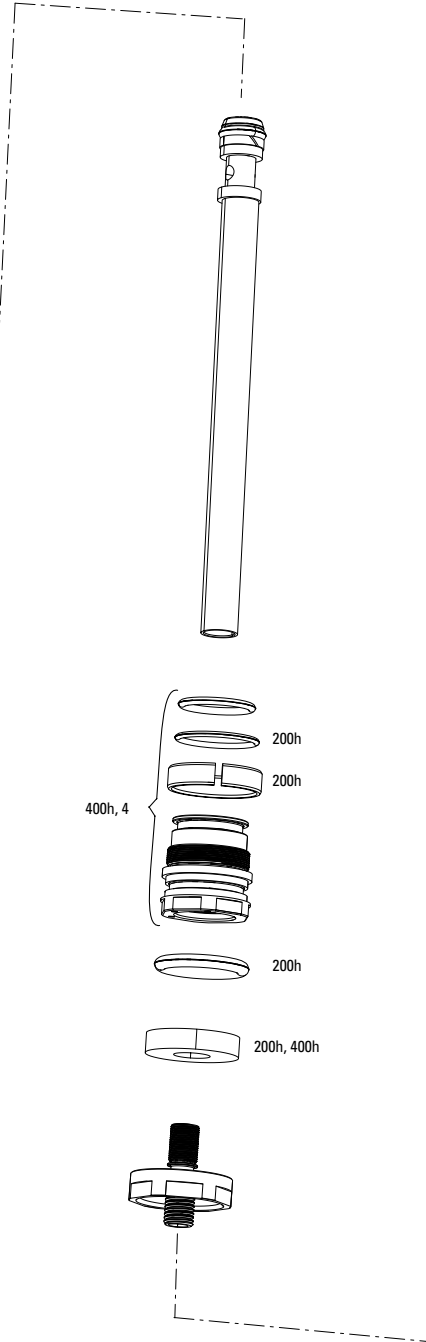
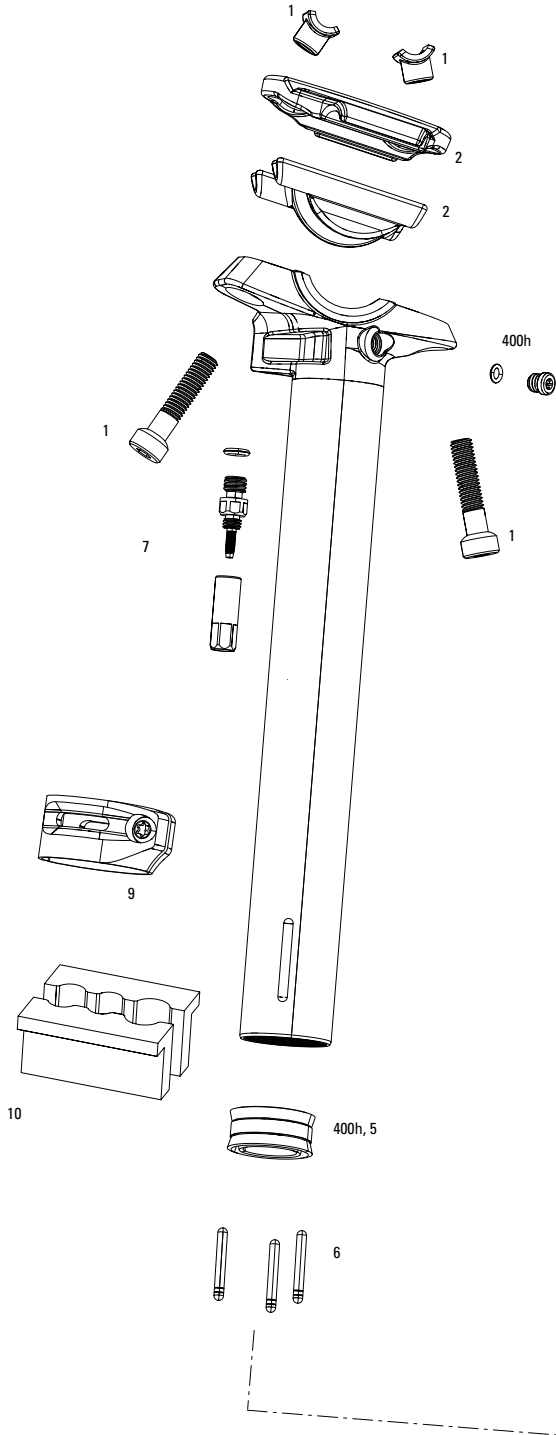
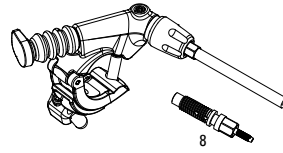
No.	Part Number	Description
ns	00.4318.008.000	Grease SRAM Butter 20ml Syringe, Friction Reducing Grease bySlickoleum - Recommended for X0/Rise XX/Roam 40, 30/Rail 40/Rise 60 B1/ Hub Pawls, RockShox Forks and Reverb Service
ns	00.4318.008.001	Grease SRAM Butter 1oz Container, Friction Reducing Grease by Slickoleum - Recommended for X0/Rise XX/Roam 40, 30/Rail 40/Rise 60 B1/ Hub Pawls, RockShox Forks and Reverb Service
ns	00.4318.008.003	Grease SRAM Butter 500ml Container, Friction Reducing Greaseby Slickoleum - Recommended for SRAM Double Time Hubs & Wheels, RockShox Forks and Reverb Service
ns	11.4315.021.070	RockShox Reverb Hydraulic Fluid, 120ml Bottle - Reverb/Sprint Remote

TOOLS

No.	Part Number	Description
ns	00.4318.007.001	RockShox Standard Bleed Kit (includes 2 Syringes/fittings, Reverb Hydraulic Fluid, 120ml Bottle new)
ns	00.4315.023.010	High-Pressure Fork/Shock Pump (300 psi Max) RockShox
ns	00.4315.022.010	Schrader Valve Removal Tool Rockshox
ns	00.5315.027.000	Cable Housing/Hydraulic Line Rotating Hooks, SRAM Qty 4
10	00.4115.154.020	Rear Shock Vise blocks, 3 Hole for RockShox Monarch/Vivid/Vivid Air/Reverb
11	00.6815.066.030	Barb Connector - Reverb Stealth
12	00.6815.066.040	IFP Height Tool - Reverb

TACKLEBOX AND BULK SPARES

No.	Part Number	Description
ns	11.6818.036.000	ROCKSHOX Reverb Tackle box - Reverb A2, B1
13	11.6815.022.020	Hose Barb Reverb Post, Qty 10
14	11.6815.022.040	Hose Barb Reverb Remote, Qty 10
15	11.6818.035.000	Bulk Brass Keys Size 0 Qty 12 - Reverb and Reverb Stealth A1, A2, and B1
15	11.6818.035.001	Bulk Brass Keys Size 3 Qty 12 - Reverb and Reverb Stealth A1, A2, and B1
15	11.6818.035.002	Bulk Brass Keys Size 4 Qty 12 - Reverb and Reverb Stealth A1, A2, and B1
15	11.6818.035.003	Bulk Brass Keys Size 5 Qty 12 - Reverb and Reverb Stealth A1, A2, and B1
15	11.6818.035.004	Bulk Brass Keys Size 6 Qty 12 - Reverb and Reverb Stealth A1, A2, and B1
16	11.6818.035.005	Bulk Foam Ring Lower Sealhead Qty 10 - Reverb and Reverb Stealth A2 and B1
17	11.6818.035.006	Bulk Bottom Out O-Ring Qty 10 - Reverb and Reverb Stealth A2and B1
18	11.6818.035.007	Bulk Bushing & O-Ring Inner Sealhead Qty 10 (Includes 10 Bushings and 10 O-rings) - Reverb and Reverb Stealth B1
19	11.6818.035.008	Bulk Bolt & Nut Seat Post Qty 6 (Includes 6 Bolts and 6 Nuts, upgrade for A1 and A2) - Reverb and Reverb Stealth A1, A2, and B1
20	11.6818.035.009	Bulk Internal Floating Piston Qty 10 (Includes 10 IFP's) - Reverb and Reverb Stealth A2and B1
21	11.6818.035.010	Bulk Top Cap Qty 5 (Includes top cap assembly with Collar, Bushing, Foam Ring, O-rings) - Reverb and Reverb Stealth A1,A2, and B1
22	11.6818.035.011	Bulk Bleed Screw and O-ring Post and Remote Qty 10 (IncludesBleed Screws and O-rings) Reverb and Reverb Stealth A1, A2, and B1
23	11.6818.035.012	Bulk Reservoir Plug and O-ring Post Qty 10 (Includes Bleed Screws and O-rings) - Reverb A2 and B1
ns	11.6818.035.014	Bulk Air Valve Cap and O-ring Qty 10 (Includes Caps and O-rings unassembled) - Reverb Stealth B1
24	11.6818.035.015	Bulk U-Cup Inner Sealhead Qty 10 (Includes U-Cup Seals) - Reverb Stealth A2 and B1
25	11.6818.035.016	Bulk O-Ring External Inner Sealhead Qty 10 (Includes O-RingsSeals) - Reverb and Reverb Stealth A2 and B1



SPARES

No.	Part Number	Description
200h	11.6818.031.000	200 hour/1 year Service Kit (includes foam ring, inner sealhead bushing and o-rings) - Reverb & Reverb Stealth B1(2017)
400h	11.6818.031.002	400 hour/2 year Service Kit (includes new, upgraded IFP; requires post bleed tool, oil height tool and IFP height tool) Reverb B1(2017)
1	11.6818.032.000	Clamp Nut and Bolt Kit (Includes clamp nuts and bolts only) Reverb & Reverb Stealth B1(2017)
2	11.6818.032.001	Post Clamp Kit - (includes upper/lower clamp plates) - Reverb & Reverb Stealth B1(2017)
3	11.6818.030.000	Top Cap Black/Dust Wiper Assembly Kit - Reverb & Reverb Stealth B1
4	11.6818.033.001	Inner Seal Head (Includes seal head with bushings, o-rings,wiper seal, retaining ring) - Reverb B1(2017)
5	11.6818.034.000	Internal Floating Piston (Upgrade for A1 and A2 Post) - Reverb & Reverb Stealth A1, A2, and B1
6	11.6818.037.000	Brass Keys Size 0 Qty 3 - Reverb and Reverb Stealth A1, A2, and B1
6	11.6818.037.001	Brass Keys Size 3 Qty 3 - Reverb and Reverb Stealth A1, A2, and B1
6	11.6818.037.002	Brass Keys Size 4 Qty 3 - Reverb and Reverb Stealth A1, A2, and B1
6	11.6818.037.003	Brass Keys Size 5 Qty 3 - Reverb and Reverb Stealth A1, A2, and B1
6	11.6818.037.004	Brass Keys Size 6 Qty 3 - Reverb and Reverb Stealth A1, A2, and B1
7	11.6815.022.010	Hose Barb Reverb Post, Qty 1
8	11.6815.022.030	Hose Barb Reverb Remote, Qty 1
9	00.6818.006.000	Reverb Enduro Height Collar Silver

FLUIDS

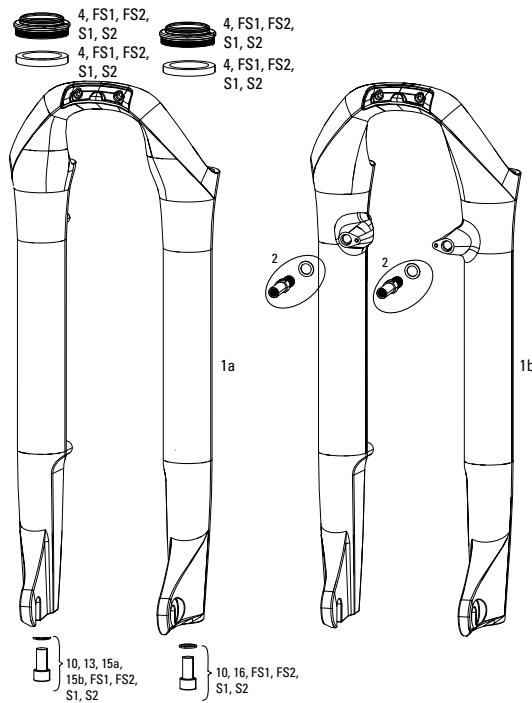
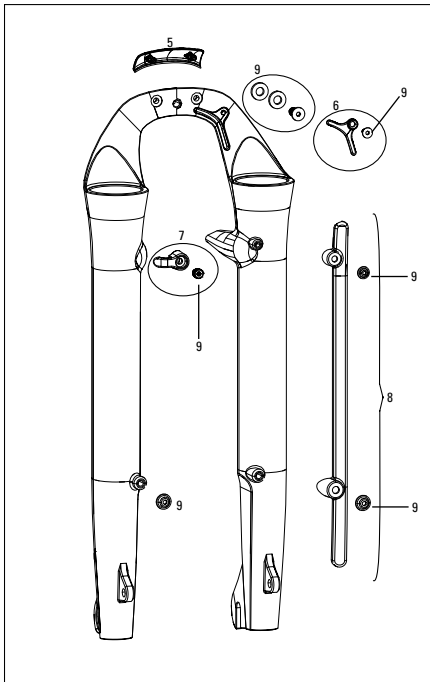
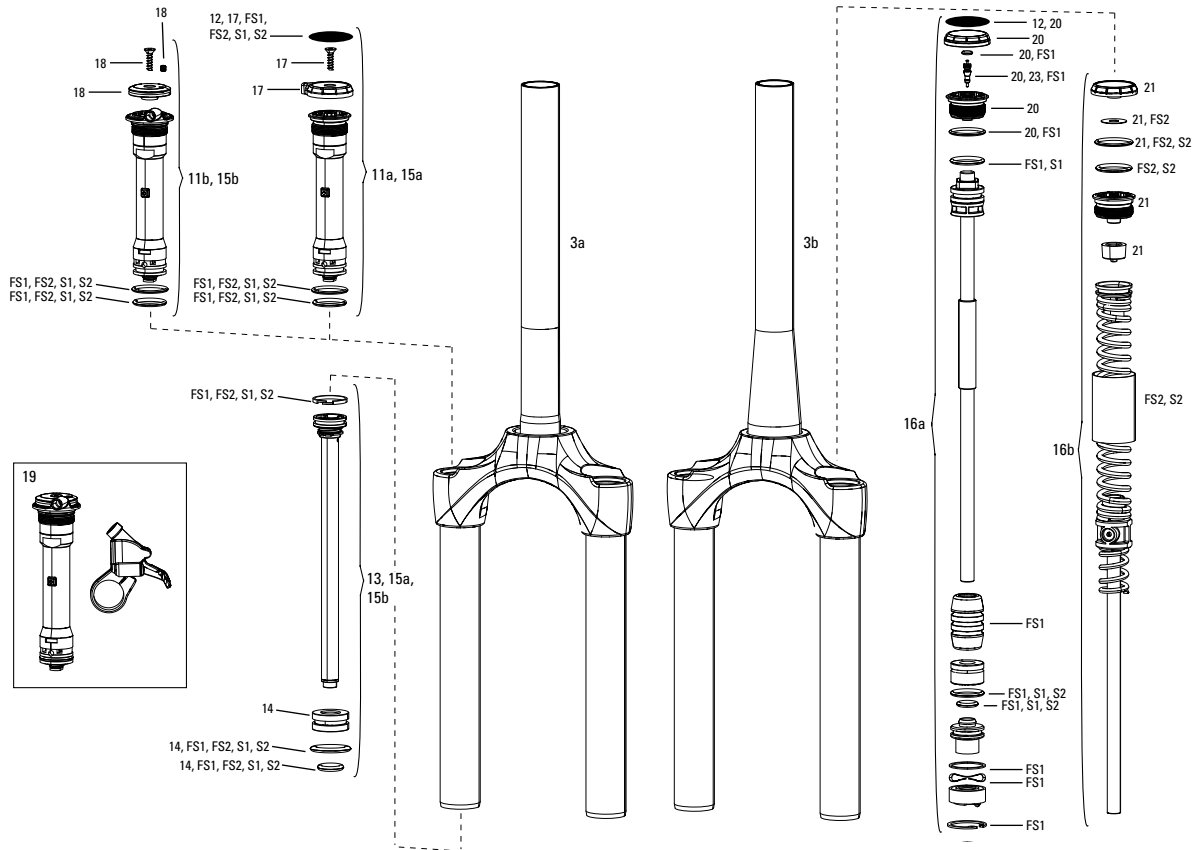
No.	Part Number	Description
ns	00.4318.008.000	Grease SRAM Butter 20ml Syringe, Friction Reducing Grease by Slickoleum - Recommended for X0/Rise XX/Roam 40, 30/Rail 40/Rise 60 B1/ Hub Pawls, RockShox Forks and Reverb Service
ns	00.4318.008.001	Grease SRAM Butter 1oz Container, Friction Reducing Grease by Slickoleum - Recommended for X0/Rise XX/Roam 40, 30/Rail 40/Rise 60 B1/ Hub Pawls, RockShox Forks and Reverb Service
ns	00.4318.008.003	Grease SRAM Butter 500ml Container, Friction Reducing Grease by Slickoleum - Recommended for SRAM Double Time Hubs & Wheels, RockShox Forks and Reverb Service
ns	11.4315.021.070	RockShox Reverb Hydraulic Fluid, 120ml Bottle - Reverb/Sprint Remote

TOOLS

No.	Part Number	Description
ns	00.4318.007.001	RockShox Standard Bleed Kit (includes 2 Syringes/fittings, Reverb Hydraulic Fluid, 120ml Bottle new)
ns	00.4315.023.010	High-Pressure Fork/Shock Pump (300 psi Max) RockShox
ns	00.4315.022.010	Schrader Valve Removal Tool Rockshox
ns	00.5315.027.000	Cable Housing/Hydraulic Line Rotating Hooks, SRAM Qty 4
10	00.4115.154.020	Rear Shock Vise blocks, 3 Hole for RockShox Monarch/Vivid/Air/Reverb
12	00.6815.066.020	Post Bleed Tool - Reverb
13	00.6815.066.010	Oil Height Tool - Reverb
14	00.6815.066.040	IFP Height Tool - Reverb

TACKLEBOX AND BULK SPARES

No.	Part Number	Description
ns	11.6818.036.000	ROCKSHOX Reverb Tackle box - Reverb A2, B1
15	11.6815.022.020	Hose Barb Reverb Post, Qty 10
16	11.6815.022.040	Hose Barb Reverb Remote, Qty 10
17	11.6818.035.000	Bulk Brass Keys Size 0 Qty 12 - Reverb and Reverb Stealth A1, A2, and B1
17	11.6818.035.001	Bulk Brass Keys Size 3 Qty 12 - Reverb and Reverb Stealth A1, A2, and B1
17	11.6818.035.002	Bulk Brass Keys Size 4 Qty 12 - Reverb and Reverb Stealth A1, A2, and B1
17	11.6818.035.003	Bulk Brass Keys Size 5 Qty 12 - Reverb and Reverb Stealth A1, A2, and B1
17	11.6818.035.004	Bulk Brass Keys Size 6 Qty 12 - Reverb and Reverb Stealth A1, A2, and B1
18	11.6818.035.005	Bulk Foam Ring Lower Sealhead Qty 10 - Reverb and Reverb Stealth A2 and B1
19	11.6818.035.006	Bulk Bottom Out O-Ring Qty 10 - Reverb and Reverb Stealth A2 and B1
20	11.6818.035.007	Bulk Bushing & O-Ring Inner Sealhead Qty 10 (Includes 10 Bushings and 10 O-rings) - Reverb and Reverb Stealth B1
21	11.6818.035.008	Bulk Bolt & Nut Seat Post Qty 6 (Includes 6 Bolts and 6 Nuts, upgrade for A1 and A2) - Reverb and Reverb Stealth A1, A2, and B1
22	11.6818.035.009	Bulk Internal Floating Piston Qty 10 (Includes 10 IFP's) - Reverb and Reverb Stealth A2 and B1
23	11.6818.035.010	Bulk Top Cap Qty 5 (Includes top cap assembly with Collar, Bushing, Foam Ring, O-rings) - Reverb and Reverb Stealth A1,A2, and B1
24	11.6818.035.011	Bulk Bleed Screw and O-ring Post and Remote Qty 10 (Includes Bleed Screws and O-rings) Reverb and Reverb Stealth A1, A2, and B1
25	11.6818.035.012	Bulk Reservoir Plug and O-ring Post Qty 10 (Includes Bleed Screws and O-rings) - Reverb A2 and B1
26	11.6818.035.014	Bulk Air Valve Cap and O-ring Qty 10 (Includes Caps and O-rings unassembled) - Reverb Stealth B1
27	11.6818.035.015	Bulk U-Cup Inner Sealhead Qty 10 (Includes U-Cup Seals) - Reverb Stealth A2 and B1
28	11.6818.035.016	Bulk O-Ring External Inner Sealhead Qty 10 (Includes O-Rings/Seals) - Reverb and Reverb Stealth A2 and B1

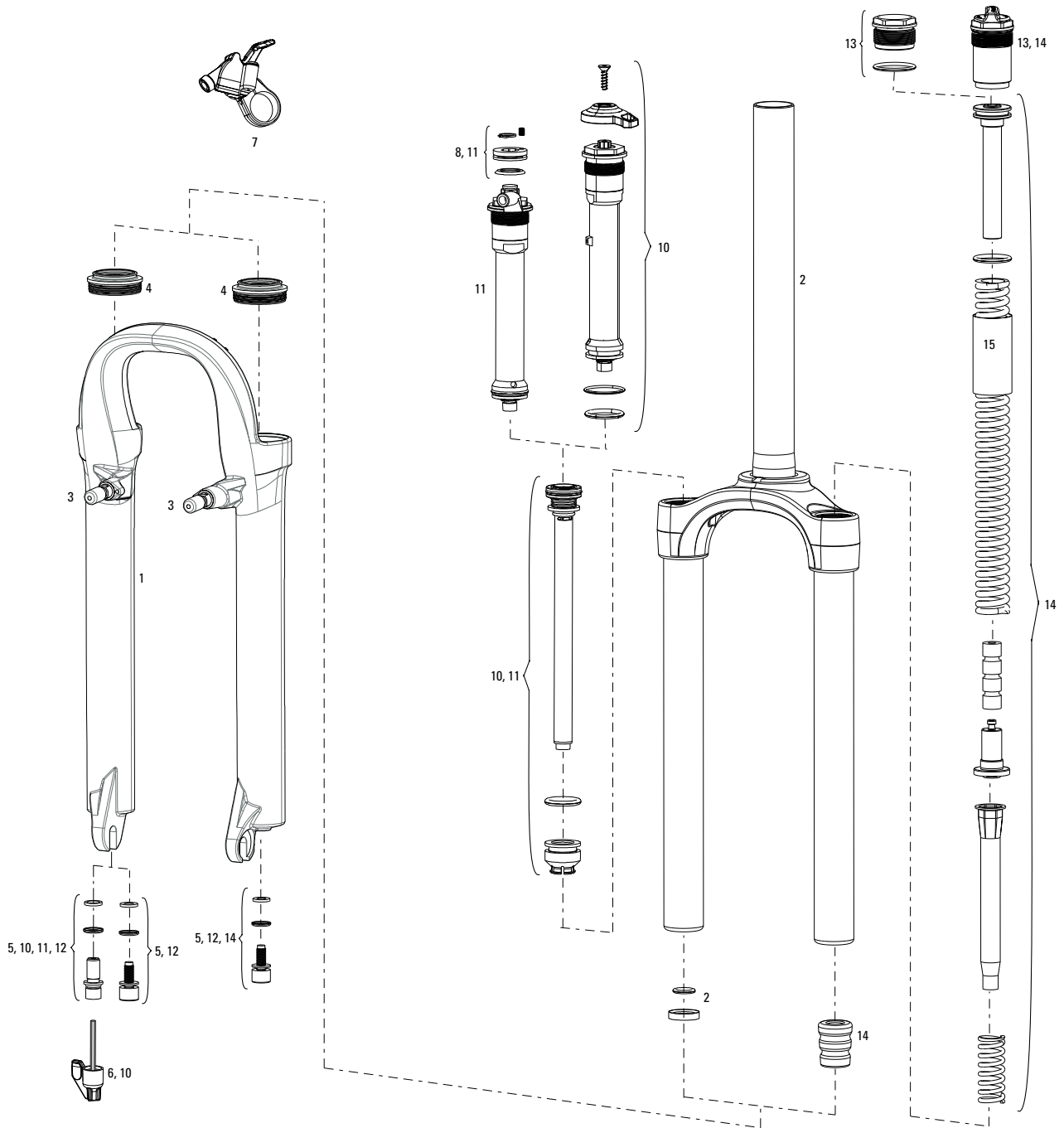


Note:

- 1. Full service kits include replaceable o-rings, glide rings, retaining rings, crush washers, crush washer retainers and shaft bolts/nuts. All basic service kits include the following replaceable wear items: o-rings, glide rings, dust seals, and foam rings.
- 2. All lower legs include bushings, foam rings and dust seals installed.
- 3. Paragon lower legs are only available in Post Mount or Disc Brake variants; not both together.



No.	Part Number	Description
1	11.4018.006.223	Lower Leg Paragon Gold/Silver Disc Black (decals not included) A1
1	11.4018.006.224	Lower Leg Paragon Gold/Silver Disc White (decals not included) A1
1	11.4018.006.225	Lower Leg Paragon Gold/Silver Disc Diffusion Black (decals not included) A1
1	11.4018.006.226	Lower Leg Paragon Gold/Silver Post Black (decals not included) A1
1	11.4018.006.227	Lower Leg Paragon Gold/Silver Post White (decals not included) A1
1	11.4018.006.228	Lower Leg Paragon Gold/Silver Post Diffusion Black (decals not included) A1
2	11.4018.039.000	Post Kit Lower Leg Paragon Gold/Silver (includes posts and washers) A1
3a	11.4018.008.350	CSU Paragon Solo Air Gold Aluminum 1 1/8 Black A1
3a	11.4018.008.351	CSU Paragon Solo Air Gold Aluminum 1 1/8 White A1
3a	11.4018.008.352	CSU Paragon Solo Air Gold Aluminum 1 1/8 Diffusion Black A1
3b	11.4018.008.353	CSU Paragon Solo Air Gold Aluminum Taper Black A1
3b	11.4018.008.354	CSU Paragon Solo Air Gold Aluminum Taper White A1
3b	11.4018.008.355	CSU Paragon Solo Air Gold Aluminum Taper Diffusion Black A1
3a	11.4018.008.379	CSU Paragon Solo Air Silver Steel 1 1/8 Black A1
3a	11.4018.008.380	CSU Paragon Solo Air Silver Steel 1 1/8 White A1
3a	11.4018.008.381	CSU Paragon Solo Air Silver Steel 1 1/8 Diffusion Black A1
3b	11.4018.008.382	CSU Paragon Solo Air Silver Steel Taper Black A1
3b	11.4018.008.383	CSU Paragon Solo Air Silver Steel Taper White A1
3b	11.4018.008.384	CSU Paragon Solo Air Silver Steel Taper Diffusion Black A1
4	11.4018.028.006	Dust Seal/Foam Ring Black 30mm Seal, 5mm Foam Ring - XC30/30Gold/30 Silver/Paragon
5	11.4018.050.000	Accessory Kit Fork Brace Cover - Paragon Gold/Silver A1
6	11.4018.050.001	Accessory Kit Fork Wire Cover - Paragon Gold/Silver A1
7	11.4018.050.002	Accessory Kit Fork Cable Guide - Paragon Gold/Silver A1
8	11.4018.050.003	Accessory Kit Fork Shroud - Paragon Gold/Silver A1
9	11.4018.050.004	Accessory Kit Hardware (includes hardware for Fender, Wire Cover, Cable Guide and Shroud) - Paragon Gold/Silver A1
10	11.4015.403.080	Shaft Fastener Kit Paragon (includes shaft bolts and washers) A1
11a	11.4015.544.360	Compression Damper, Crown Adjust, Paragon Gold (includes black and white knobs, faceplate and bolt) A1
11b	11.4015.544.370	Compression Damper, Remote Adjust, Paragon Gold (includes black and white knobs, faceplate and fixing bolt) A1
12	11.4018.049.000	Faceplate Compression Damper Crown Adjust Paragon Black/Silver (for white forks) A1
12	11.4018.049.001	Faceplate Compression Damper Crown Adjust Paragon Silver/Black (for black forks) A1
13	11.4018.025.014	Rebound Damper and Seal Head Assembly/Shaft Bolt - Paragon Gold A1
14	11.4015.353.040	Seal Head Assembly (Rebound Damper, Turnkey) 30mm -30 Gold A1/Paragon Gold A1
15a	11.4018.009.065	Damper Internals Right Turnkey Paragon Gold Solo Air Crown Adjust A1
15b	11.4018.009.066	Damper Internals Right Turnkey Paragon Gold Solo Air Remote 17mm Cable Pull (PopLoc/original PushLoc only) A1
15a	11.4018.009.069	Damper Internals Right Turnkey Paragon Silver Coil Crown Adjust A1
15b	11.4018.009.070	Damper Internals Right Turnkey Paragon Silver Coil Remote 17mm Cable Pull (PopLoc/2010-2013 PushLoc only) A1
16a	11.4018.010.144	Spring Internals Left Solo Air Paragon Gold 50 (includes airtop cap, solo air spring and shaft bolt) A1
16a	11.4018.010.145	Spring Internals Left Solo Air Paragon Gold 65 (includes airtop cap, solo air spring and shaft bolt) A1
16b	11.4018.010.154	Spring Internals Left Coil Paragon Silver 50 A1
16b	11.4018.010.155	Spring Internals Left Coil Paragon Silver 65 A1
17	11.4015.547.130	Knob Kit, Compression Damper, TK - Paragon Gold A1
17	11.4015.547.150	Knob Kit, Compression Damper, TK - Paragon Silver A1
18	11.4015.547.140	Remote Spool Kit 17mm, TK - Paragon Gold/Silver A1
19	00.4318.002.008	Remote Upgrade Kit - Turnkey 30mm Paragon Gold/Silver - TurnKey - Includes Remote Compression Damper and PopLoc Remote Right (2015-2016)
20	11.4018.012.008	Air Top Cap, Solo Air 30mm Paragon Gold A1
21	11.4018.012.009	Coil Top Cap, 30mm Paragon Silver (includes pre-load spacer and top cap) A1
FS1	11.4018.056.000	Service Kit Full - Paragon Gold A1
FS2	11.4018.056.001	Service Kit Full - Paragon Silver A1
S1	00.4315.032.530	AM Fork Service Kit, Basic (includes dust seals, foam rings, o-ring seals) - Paragon Gold Solo Air A1
S2	00.4315.032.560	AM Fork Service Kit, Basic (includes dust seals, foam rings, o-ring seals) - Paragon Silver Coil A1
23	11.4308.327.002	Schrader Valve Core Qty 2
ns	11.4018.028.007	Dust Seal 30mm Black - XC30/30 Gold/30 Silver/Paragon Qty 20
ns	00.4315.023.010	High-Pressure Fork/Shock Pump (300 psi Max) RockShox
ns	00.4315.022.010	Schrader Valve Removal Tool RockShox
ns	11.4318.003.400	Decal Kit Paragon Silver/Black Lower Leg (includes decals for both Gold and Silver platforms) A1
ns	11.4318.003.401	Decal Kit Paragon Silver/White Lower Leg (includes decals for both Gold and Silver platforms) A1
ns	11.4318.003.402	Decal Kit Paragon Silver/Diffusion Black Lower Leg (includes decals for both Gold and Silver platforms) A1
ns	11.4315.021.020	RockShox Suspension Oil, 5wt, 120ml Bottle - Fork Damper
ns	11.4015.354.010	RockShox Suspension Oil, 5wt, 1 Liter Bottle - Fork Damper
ns	11.4315.021.040	RockShox Suspension Oil, 15wt, 120ml Bottle - Lower Legs
ns	11.4015.354.030	RockShox Suspension Oil, 15wt, 1 Liter Bottle - Lower Legs
ns	00.4318.008.000	Grease SRAM Butter 20ml Syringe, Friction Reducing Grease by Slickoleum - Recommended for X0/Rise XX/Roam 40, 30/Rail 40/Rise 60 B1/ Hub Pawls, RockShox Forks and Reverb Service
ns	00.4318.008.001	Grease SRAM Butter 1oz Container, Friction Reducing Grease by Slickoleum - Recommended for X0/Rise XX/Roam 40, 30/Rail 40/Rise 60 B1/ Hub Pawls, RockShox Forks and Reverb Service

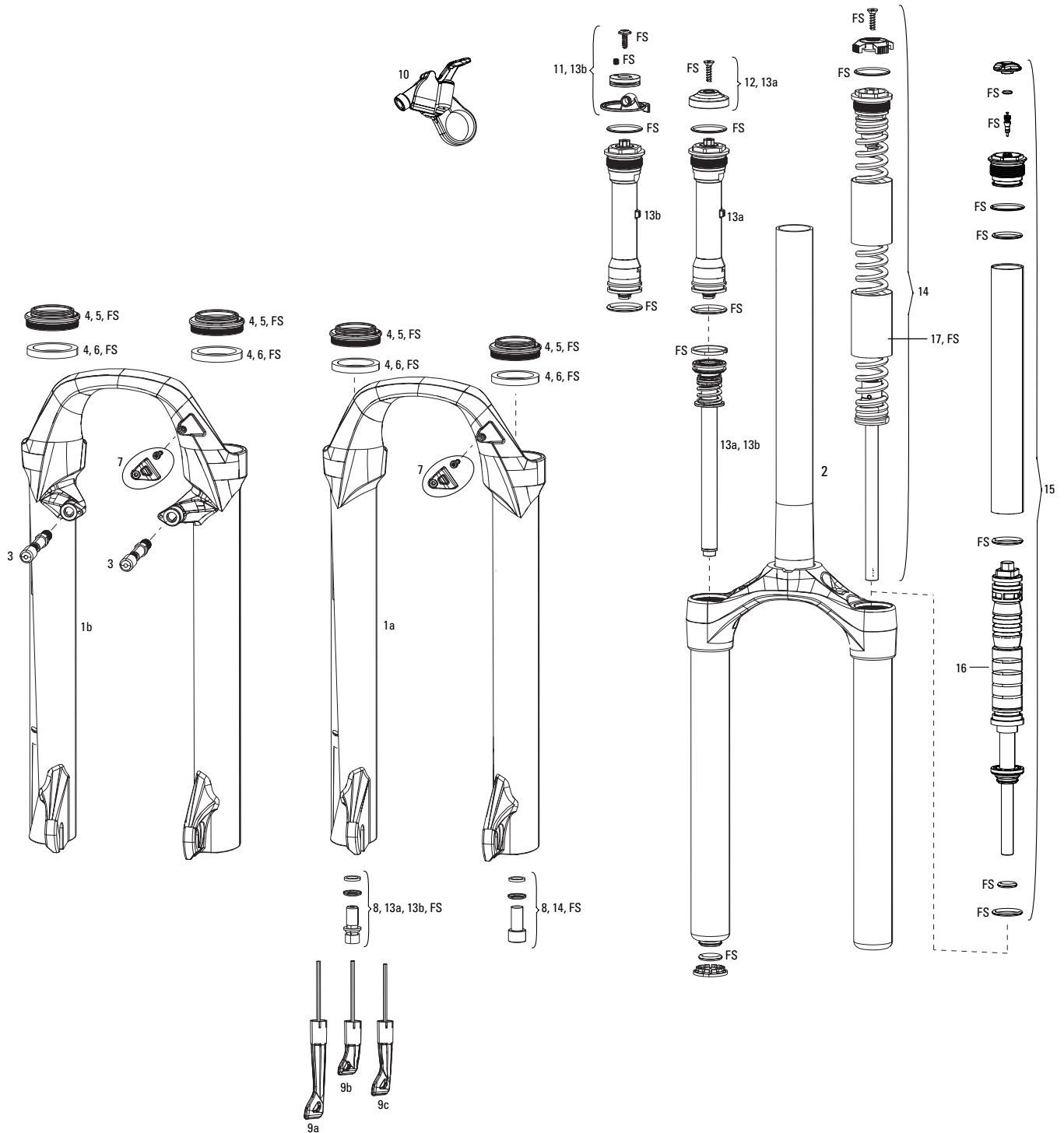


Note:

1. All lower legs include bottom-out bumpers, bushings, foam rings and dust seals installed.



No.	Part Number	Description
1	11.4018.006.059	Lower Leg XC28 Mag 26Q Rim/Disc Black
1	11.4018.006.060	Lower Leg XC28 Mag 26Q Rim/Disc White
ns	11.4018.006.061	Lower Leg XC28 Mag 26Q Disc Black
ns	11.4018.006.062	Lower Leg XC28 Mag 26Q Disc Diffusion Black
ns	11.4018.006.063	Lower Leg XC28 Mag 26Q Disc White
1	11.4018.006.064	Lower Leg XC28 Mag 26Q Rim/Disc 120 Black
1	11.4018.006.065	Lower Leg XC28 Mag 26Q Rim/Disc 120 Diffusion Black
1	11.4018.006.066	Lower Leg XC28 Mag 26Q Rim/Disc 120 White
ns	11.4018.006.067	Lower Leg XC28 Mag 26Q Disc 120 Black
ns	11.4018.006.068	Lower Leg XC28 Mag 26Q Disc 120 Diffusion Black
ns	11.4018.006.069	Lower Leg XC28 Mag 26Q Disc 120 White
2	11.4018.008.000	CSU XC28 26 Aluminum 11/8 White 80/100
2	11.4018.008.001	CSU XC28 26 Aluminum 11/8 Diffusion Black 80/100
2	11.4018.008.002	CSU XC28 26 Aluminum 11/8 Black 80/100
2	11.4018.008.003	CSU XC28 26 Aluminum 11/8 White 120
2	11.4018.008.004	CSU XC28 26 Aluminum 11/8 Diffusion Black 120
2	11.4018.008.005	CSU XC28 26 Aluminum 11/8 Black 120
2	11.4018.008.006	CSU XC28 29 46 Off-Set Aluminum 11/8 White 80/100
2	11.4018.008.007	CSU XC28 29 46 Off-Set Aluminum 11/8 Diffusion Black 80/100
2	11.4018.008.008	CSU XC28 29 46 Off-Set Aluminum 11/8 Black 80/100
2	11.4018.008.009	CSU XC28 29 51 Off-Set Aluminum 11/8 White 80/100
2	11.4018.008.010	CSU XC28 29 51 Off-Set Aluminum 11/8 Diffusion Black 80/100
2	11.4018.008.011	CSU XC28 29 51 Off-Set Aluminum 11/8 Black 80/100
3	11.4015.038.000	Dart Brake Post Qty 2
4	11.4307.250.000	Pilot/SID Dust Seal Kit
5	11.4310.465.000	Fork Shaft Bolt Kit
6	11.4015.390.000	HC2 Rebound Adjust Knob Flag NEW (both short and long)
7	11.4308.848.000	PopLoc Lever Left (17mm cable pull, not compatible with 2013+ Motion Control)
7	11.4309.207.000	PopLoc Lever Right (17mm cable pull, not compatible with 2013+ Motion Control)
ns	11.4308.849.000	PopLoc Adjust Lever Left (17mm cable pull, not compatible with 2013+ Motion Control)
ns	11.4309.208.000	PopLoc Adjust Lever Right (17mm cable pull, not compatible with 2013+ Motion Control)
8	11.4018.011.000	Remote Spool/Cable Clamp Kit XC28 (17mm Pull Damper, PopLoc/pre-2013 PushLoc only) 2013-2015
10	11.4018.009.000	Damper Internals Right Turnkey XC28 29 80-100 Crown
11	11.4018.009.001	Damper Internals Right Turnkey XC28 29 80-100 Remote17mm (use with PopLoc)
10	11.4018.009.002	Damper Internals Right Turnkey XC28 26 80-120 Crown
11	11.4018.009.003	Damper Internals Right Turnkey XC28 26 80-120 Remote17mm (use with PopLoc)
12	11.4015.032.000	Dart 1 Shaft Kit (80mm/100mm)
ns	11.4015.242.000	Preload Adjuster Knob Aluminum
13	11.4015.234.000	Dart/Judy Top Cap Kit (Aluminum Pre-Load & Non Adjust) 28mm
14	11.4018.010.000	Spring Internals Left XC28 26 80 X-Soft Green
14	11.4018.010.001	Spring Internals Left XC28 26 80 Soft Black
14	11.4018.010.002	Spring Internals Left XC28 26 80 Medium Yellow
14	11.4018.010.003	Spring Internals Left XC28 26 80 Firm Red
14	11.4018.010.004	Spring Internals Left XC28 26 80 X-Firm Blue
14	11.4018.010.005	Spring Internals Left XC28 26 100 X-Soft Green
14	11.4018.010.006	Spring Internals Left XC28 26 100 Soft Black
14	11.4018.010.007	Spring Internals Left XC28 26 100 Medium Yellow
14	11.4018.010.008	Spring Internals Left XC28 26 100 Firm Red
14	11.4018.010.009	Spring Internals Left XC28 26 100 X-Firm Blue
14	11.4018.010.011	Spring Internals Left XC28 26" 120mm Medium Red
14	11.4018.010.012	Spring Internals Left XC28 26" 120mm Firm Blue
14	11.4018.010.013	Spring Internals Left XC28 29 80 X-Soft Green
14	11.4018.010.014	Spring Internals Left XC28 29 80 Soft Black
14	11.4018.010.015	Spring Internals Left XC28 29 80 Medium Yellow
14	11.4018.010.016	Spring Internals Left XC28 29 80 Firm Red
14	11.4018.010.017	Spring Internals Left XC28 29 100 X-Soft Green
14	11.4018.010.018	Spring Internals Left XC28 29 100 Soft Black
14	11.4018.010.019	Spring Internals Left XC28 29 100 Medium Yellow
14	11.4018.010.020	Spring Internals Left XC28 29 100 Firm Red
15	11.4309.336.000	Coil Spring Isolator Kit Qty 3
ns	11.4015.210.000	Dart Service Kit
ns	11.4318.003.003	Decal Kit XC28 Turnkey 26 Rim Coil Silver/White Lower Leg
ns	11.4318.003.004	Decal Kit XC28 Turnkey 26 Rim Coil Silver/Black Lower Leg
ns	11.4318.003.005	Decal Kit XC28 Turnkey 26 Rim Coil Silver/Diffusion Black Lower Leg
ns	11.4318.003.000	Decal Kit XC28 Turnkey 26 Disc Coil Silver/White Lower Leg
ns	11.4318.003.001	Decal Kit XC28 Turnkey 26 Disc Coil Silver/Black Lower Leg
ns	11.4318.003.002	Decal Kit XC28 Turnkey 26 Disc Coil Silver/Diffusion Black Lower Leg
ns	11.4318.003.006	Decal Kit XC28 Turnkey 29 Disc Coil Silver/White Lower Leg
ns	11.4318.003.007	Decal Kit XC28 Turnkey 29 Disc Coil Silver/Black Lower Leg
ns	11.4318.003.008	Decal Kit XC28 Turnkey 29 Disc Coil Silver/Diffusion Black Lower Leg
ns	11.4309.073.000	Kit Disk Brake Cable Accessory
ns	11.4315.021.020	RockShox Suspension Oil, 5wt, 120ml Bottle - Fork Damper
ns	11.4015.354.010	RockShox Suspension Oil, 5wt, 1 Liter Bottle - Fork Damper
ns	11.4315.021.040	RockShox Suspension Oil, 15wt, 120ml Bottle - Lower Legs
ns	11.4015.354.030	RockShox Suspension Oil, 15wt, 1 Liter Bottle - Lower Legs
ns	00.4318.008.000	Grease SRAM Butter 20ml Syringe, Friction Reducing Grease by Slickoleum - Recommended for X0/Rise XX/Roam 40, 30/Rail 40/Rise 60 B1/ Hub Pawls, RockShox Forks and Reverb Service
ns	00.4318.008.001	Grease SRAM Butter 1oz Container, Friction Reducing Grease by Slickoleum - Recommended for X0/Rise XX/Roam 40, 30/Rail 40/Rise 60 B1/ Hub Pawls, RockShox Forks and Reverb Service



Note:

1. If your 29" 80mm travel fork CSU measures 321 +/-2 from the top of the crown to the bottom of the stanchion, you will need to use Air Spring 11.4018.010.152
2. Full service kits include replaceable o-rings, glide rings, retaining rings, crush washers, crush washer retainers and shaft bolts/nuts. Not all service parts are pictured. All basic service kits include the following replaceable wear items: o-rings, glide rings, dust seals, and foam rings.

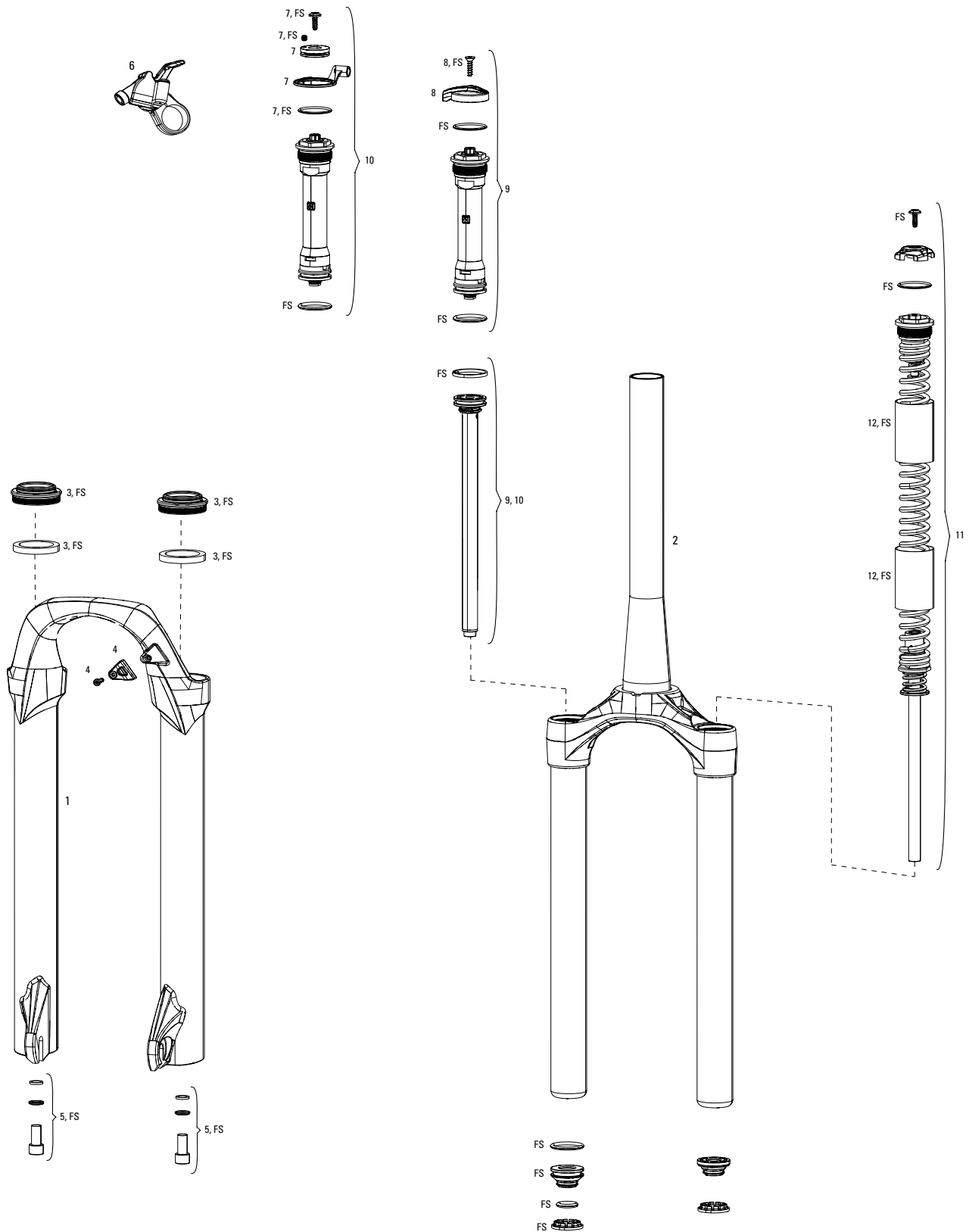
XC30 (A1-A3/2012-2015)



No.	Part Number	Description
1a	11.4015.532.010	Lower Leg 26Q Disc Black 9mm QR (decals not included) - XC30A1-A3/30 Gold A1/30 Silver A1
1a	11.4018.006.073	Lower Leg 26Q Disc White (decals not included) - XC30 A1-A3/30 Gold A1/30 Silver A1
1a	11.4018.006.074	Lower Leg 26Q Disc Diffusion Black (decals not included) - XC30 A1-A3/30 Gold A1/30 Silver A1
1b	11.4015.532.020	Lower Leg 26Q Rim/Disc Black 9mm QR (decals not included) -XC30 A1-A3/30 Gold A1/30 Silver A1
1b	11.4018.006.075	Lower Leg 26Q Rim/Disc White (decals not included) - XC30 A1 A3/30 Silver A1
1b	11.4018.006.076	Lower Leg 26Q Rim/Disc Diffusion Black (decals not included) XC30 A1-A3/30 Gold A1/30 Silver A1
1a	11.4018.006.133	Lower Leg 27.5Q Disc Black (decals not included) - XC30 A1-A3, B1/30 Gold A1/30 Silver A1
1a	11.4018.006.134	Lower Leg 27.5Q Disc White (decals not included) - XC30 A1-A3, B1/30 Gold A1/30 Silver A1
1a	11.4018.006.135	Lower Leg 27.5Q Disc Diffusion Black (decals not included) -XC30 A1-A3, B1/30 Gold A1/30 Silver A1
1a	11.4018.006.136	Lower Leg 29Q Disc Black (decals not included) - XC30 A1-A3,B1/30 Gold A1/30 Silver A1
1a	11.4018.006.137	Lower Leg 29Q Disc White (decals not included) - XC30 A1-A3,B1/30 Gold A1/30 Silver A1
1a	11.4018.006.138	Lower Leg 29Q Disc Diffusion Black (decals not included) - XC30 A1-A3, B1/30 Gold A1/30 Silver A1
1a	11.4018.006.080	Lower Leg XC30 29Q Disc Diffusion White
2	11.4015.531.010	CSU Aluminum Steerer 1 1/8" 265mm Black Crown - XC30
2	11.4015.531.020	CSU Aluminum Steerer 1 1/8" 350mm Black Crown - XC30
2	11.4018.008.358	CSU XC30 A1-A3/30 Silver A1 Satin Nickel 26 Aluminum 11/8 Black
2	11.4018.008.208	CSU XC30 A1-A3/30 Silver A1 Satin Nickel 27.5 Aluminum 11/8Black
ns	11.4018.008.211	CSU XC30 A1-A3/30 Silver A1 Satin Nickel 27.5 Aluminum TaperBlack
2	11.4018.008.385	CSU XC30 A1-A3/30 Silver A1 29 46 Off-Set Aluminum 11/8 Black
ns	11.4018.008.386	CSU XC30 A1-A3/30 Silver A1 29 46 Off-Set Aluminum Taper Black
2	11.4018.008.387	CSU XC30 A1-A3/30 Silver A1 29 51 Off-Set Aluminum 11/8 Black
ns	11.4018.008.388	CSU XC30 A1-A3/30 Silver A1 29 51 Off-Set Aluminum Taper Black
3	11.4307.469.000	Brake Post Kit Steel (Qty 2)
4	11.4018.028.006	Dust Seal/Foam Ring Black 30mm Seal, 5mm Foam Ring - XC30/30Gold/30 Silver/Paragon
5	11.4018.028.007	Dust Seal 30mm Black - XC30/30 Gold/30 Silver/Paragon Qty 20
6	11.4018.028.008	Foam Ring 30mm x 5mm - XC30/30 Gold/30 Silver Qty 20
7	11.4015.534.010	Hydraulic Hose Clamp, Lower Leg
8	11.4310.465.000	Fork Shaft Bolt Kit
9a	11.4018.033.000	Rebound Adjuster 26 Long - XC30 A1-A3/30 Gold A1/30 Silver A1
9b	11.4018.033.001	Rebound Adjuster 27.5 - XC30 A1-A3/XC32/30 Gold/Recon SilverB1
9c	11.4018.033.002	Rebound Adjuster 29 - XC30 A1-A3/30 Gold A1/30 Silver A1
10	11.4308.848.000	PopLoc Lever Left (17mm cable pull, not compatible with 2013+ Motion Control)
10	11.4309.207.000	PopLoc Lever Right (17mm cable pull, not compatible with 2013+ Motion Control)
ns	11.4308.849.000	PopLoc Adjust Lever Left (17mm cable pull, not compatible with 2013+ Motion Control)
ns	11.4309.208.000	PopLoc Adjust Lever Right (17mm cable pull, not compatible with 2013+ Motion Control)
11	11.4015.536.010	Remote Spool/Cable Clamp Kit - XC30 A1-A3, B1/30 Gold A1/30Silver A1
12	11.4015.461.050	Compression Knob Kit, TurnKey - Recon/Sektor/30 Gold/30 Silver/XC32/XC30 A1-A3
13a	11.4018.009.034	Damper Internals Right Turnkey TK 2629 100 Crown - XC30 A1-A3/30 Silver A1
13a	11.4018.009.032	Damper Internals Right Turnkey TK 2629 80 Crown - XC30 A1-A3/30 Silver A1
13a	11.4018.009.036	Damper Internals Right Turnkey TK 27.5 80-100 Crown - XC30 A1-A3/30 Silver A1
13a	11.4018.009.063	Damper Internals Right Turnkey XC30 TK 26 Solo Air 80-100 Crown Adjust A1
13b	11.4018.009.035	Damper Internals Right Turnkey TK 2629 100 Remote 17mmCablePull (PopLoc/2010-2013 PushLoc only) - XC30 A1-A3/30 SilverA1
13b	11.4018.009.033	Damper Internals Right Turnkey TK 2629 80 Remote 17mm CablePull (PopLoc/2010-2013 PushLoc only) - XC30 A1-A3/30 SilverA1
13b	11.4018.009.037	Damper Internals Right Turnkey TK 27.5 80-100 Remote 17mm Cable Pull (PopLoc/2010-2013 PushLoc only) - XC30 A1-A3/30 Silver A1
13b	11.4018.009.064	Damper Internals Right Turnkey XC30 TK 26 Solo Air 80-100 Remote 17mm Cable Pull (PopLoc/original PushLoc only) A1
14	11.4015.538.010	Spring Internals, Top Cap and Adjuster Knob Kit 26 100mm X-Soft Silver - XC30 A1-A3/30 Silver A1
14	11.4015.538.020	Spring Internals, Top Cap and Adjuster Knob Kit 26 100mm Soft Yellow - XC30 A1-A3/30 Silver A1
14	11.4015.538.030	Spring Internals, Top Cap and Adjuster Knob Kit 26 100mm Medium Red - XC30 A1-A3/30 Silver A1
14	11.4015.538.040	Spring Internals, Top Cap and Adjuster Knob Kit 26 100mm Firm Blue - XC30 A1-A3/30 Silver A1
14	11.4015.538.050	Spring Internals, Top Cap and Adjuster Knob Kit 26 100mm X-Firm Black - XC30 A1-A3/30 Silver A1
14	11.4015.538.060	Spring Internals, Top Cap and Adjuster Knob Kit 26 80mm X-Soft Silver - XC30 A1-A3/30 Silver A1
14	11.4015.538.070	Spring Internals, Top Cap and Adjuster Knob Kit 26 80mm SoftYellow - XC30 A1-A3/30 Silver A1
14	11.4015.538.080	Spring Internals, Top Cap and Adjuster Knob Kit 26 80mm Medium Red - XC30 A1-A3/30 Silver A1
14	11.4015.538.090	Spring Internals, Top Cap and Adjuster Knob Kit 26 80mm FirmBlue - XC30 A1-A3/30 Silver A1
14	11.4015.538.100	Spring Internals, Top Cap and Adjuster Knob Kit 26 80mm X-Firm Black - XC30 A1-A3/30 Silver A1
14	11.4018.010.087	Spring Internals Left 80 X-Soft Silver - XC30 27.5 A1-A3/30Silver 27.5/29 A1
14	11.4018.010.088	Spring Internals Left 80 Soft Yellow - XC30 27.5 A1-A3/30 Silver 27.5/29 A1
14	11.4018.010.089	Spring Internals Left 80 Medium Red - XC30 27.5 A1-A3/30 Silver 27.5/29 A1
14	11.4018.010.090	Spring Internals Left 80 Firm Blue - XC30 27.5 A1-A3/30 Silver 27.5/29 A1
14	11.4018.010.091	Spring Internals Left 80 XFirm Black - XC30 27.5 A1-A3/30 Silver 27.5/29 A1
14	11.4018.010.092	Spring Internals Left 100 X-Soft Silver - XC30 27.5 A1-A3/30Silver 27.5/29 A1
14	11.4018.010.093	Spring Internals Left 100 Soft Yellow - XC30 27.5 A1-A3/30 Silver 27.5/29 A1
14	11.4018.010.094	Spring Internals Left 100 Medium Red - XC30 27.5 A1-A3/30 Silver 27.5/29 A1
14	11.4018.010.095	Spring Internals Left 100 Firm Blue - XC30 27.5 A1-A3/30 Silver 27.5/29 A1
14	11.4018.010.096	Spring Internals Left 100 XFirm Black - XC30 27.5 A1-A3/30 Silver 27.5/29 A1
14	11.4018.010.097	Spring Internals Left 100 Solo Air (includes top cap, solo air spring and air tube, shaft bolt) - XC30 27.5 A1-A3/30 Silver 27.5/29 A1
14	11.4018.010.098	Spring Internals Left 120 Solo Air (includes top cap, solo air spring and air tube, shaft bolt) - XC30 27.5 A1-A3/30 Silver 27.5/29 A1
14	11.4018.010.021	Spring Internals Left XC30 29 80 X-Soft Silver
14	11.4018.010.022	Spring Internals Left XC30 29 80 Soft Yellow
14	11.4018.010.023	Spring Internals Left XC30 29 80 Medium Red
14	11.4018.010.024	Spring Internals Left XC30 29 80 Firm Blue
14	11.4018.010.025	Spring Internals Left XC30 29 80 XFirm Black
14	11.4018.010.026	Spring Internals Left XC30 29 100 X-Soft Silver
14	11.4018.010.027	Spring Internals Left XC30 29 100 Soft Yellow
14	11.4018.010.028	Spring Internals Left XC30 29 100 Medium Red
14	11.4018.010.029	Spring Internals Left XC30 29 100 Firm Blue
14	11.4018.010.030	Spring Internals Left XC30 29 100 XFirm Black



No.	Part Number	Description
15	11.4018.010.149	Spring Internals Left Solo Air XC30 A1-A3/30 Silver A1 27/2980 (includes top cap assy, solo air spring, inner tube, baseplate and shaft bolts)
15	11.4018.010.150	Spring Internals Left Solo Air XC30 A1-A3/30 Silver A1 26 80(includes top cap assy, solo air spring, inner tube, baseplate and shaft bolts)
15	11.4018.010.151	Spring Internals Left Solo Air XC30 A1-A3/30 Silver A1 26 100 (includes top cap assy, solo air spring, inner tube, baseplate and shaft bolts)
15	11.4018.010.152	Spring Internals Left Solo Air XC30 29 80 Upper Tube 300 (279mm air spring length, includes top cap assy, solo air spring, inner tube, baseplate and shaft bolts)
15	11.4018.010.153	Spring Internals Left Solo Air XC30 29 100 Upper Tube 300 (279mm air spring length, includes top cap assy, solo air spring, inner tube, baseplate and shaft bolts)
16	11.4018.034.000	Travel Spacers Solo Air (used to change travel) - Recon/30 Gold/30 Silver/XC 32/XC30/Paragon
17	11.4309.336.000	Coil Spring Isolator Kit Qty 3
FS	11.4015.539.020	Service Kit Full Coil and Solo Air - XC30 A1-A3/30 Silver A1
bulk	11.4015.259.000	Crush Washer 8mm, Qty 50
bulk	11.4015.260.000	Crush Washer Retainer, Qty 50
ns	11.4318.003.009	Decal Kit XC30 Turnkey 26 Disc Coil Silver/White Lower Leg
ns	11.4318.003.010	Decal Kit XC30 Turnkey 26 Disc Coil Silver/Black Lower Leg
ns	11.4318.003.011	Decal Kit XC30 Turnkey 26 Disc Coil Silver/Diffusion Black Lower Leg
ns	11.4318.003.012	Decal Kit XC30 Turnkey 26 Rim Coil Silver/White Lower Leg
ns	11.4318.003.013	Decal Kit XC30 Turnkey 26 Rim Coil Silver/Black Lower Leg
ns	11.4318.003.014	Decal Kit XC30 Turnkey 26 Rim Coil Silver/Diffusion Black Lower Leg
ns	11.4318.003.364	Decal Kit XC30 Turnkey 26 Disc Solo Air Silver/Black Lower Leg
ns	11.4318.003.365	Decal Kit XC30 Turnkey 26 Disc Solo Air Silver/White Lower Leg
ns	11.4318.003.366	Decal Kit XC30 Turnkey 26 Disc Solo Air Silver/Diffusion Black Lower Leg
ns	11.4318.003.257	Decal Kit XC30 Turnkey 27.5 Disc Solo Air/Coil Silver/White Lower Leg A3
ns	11.4318.003.258	Decal Kit XC30 Turnkey 27.5 Disc Solo Air/Coil Silver/Black Lower Leg A3
ns	11.4318.003.259	Decal Kit XC30 Turnkey 27.5 Disc Solo Air/Coil Silver/Diffusion Black Lower Leg A3
ns	11.4318.003.015	Decal Kit XC30 Turnkey 29 Disc Coil Silver/White Lower Leg
ns	11.4318.003.016	Decal Kit XC30 Turnkey 29 Disc Coil Silver/Black Lower Leg
ns	11.4318.003.017	Decal Kit XC30 Turnkey 29 Disc Coil Silver/Diffusion Black Lower Leg
ns	11.4318.003.367	Decal Kit XC30 Turnkey 29 Disc Solo Air Silver/Black Lower Leg
ns	11.4318.003.368	Decal Kit XC30 Turnkey 29 Disc Solo Air Silver/White Lower Leg
ns	11.4318.003.369	Decal Kit XC30 Turnkey 29 Disc Solo Air Silver/Diffusion Black Lower Leg
ns	11.4315.021.020	RockShox Suspension Oil, 5wt, 120ml Bottle - Fork Damper
ns	11.4015.354.010	RockShox Suspension Oil, 5wt, 1 Liter Bottle - Fork Damper
ns	11.4315.021.040	RockShox Suspension Oil, 15wt, 120ml Bottle - Lower Legs
ns	11.4015.354.030	RockShox Suspension Oil, 15wt, 1 Liter Bottle - Lower Legs
ns	00.4318.008.000	Grease SRAM Butter 20ml Syringe, Friction Reducing Grease by Slickoleum - Recommended for X0/Rise XX/Roam 40, 30/Rail 40/Rise 60 B1/ Hub Pawls, RockShox Forks and Reverb Service
ns	00.4318.008.001	Grease SRAM Butter 1oz Container, Friction Reducing Grease by Slickoleum - Recommended for X0/Rise XX/Roam 40, 30/Rail 40/Rise 60 B1/ Hub Pawls, RockShox Forks and Reverb Service

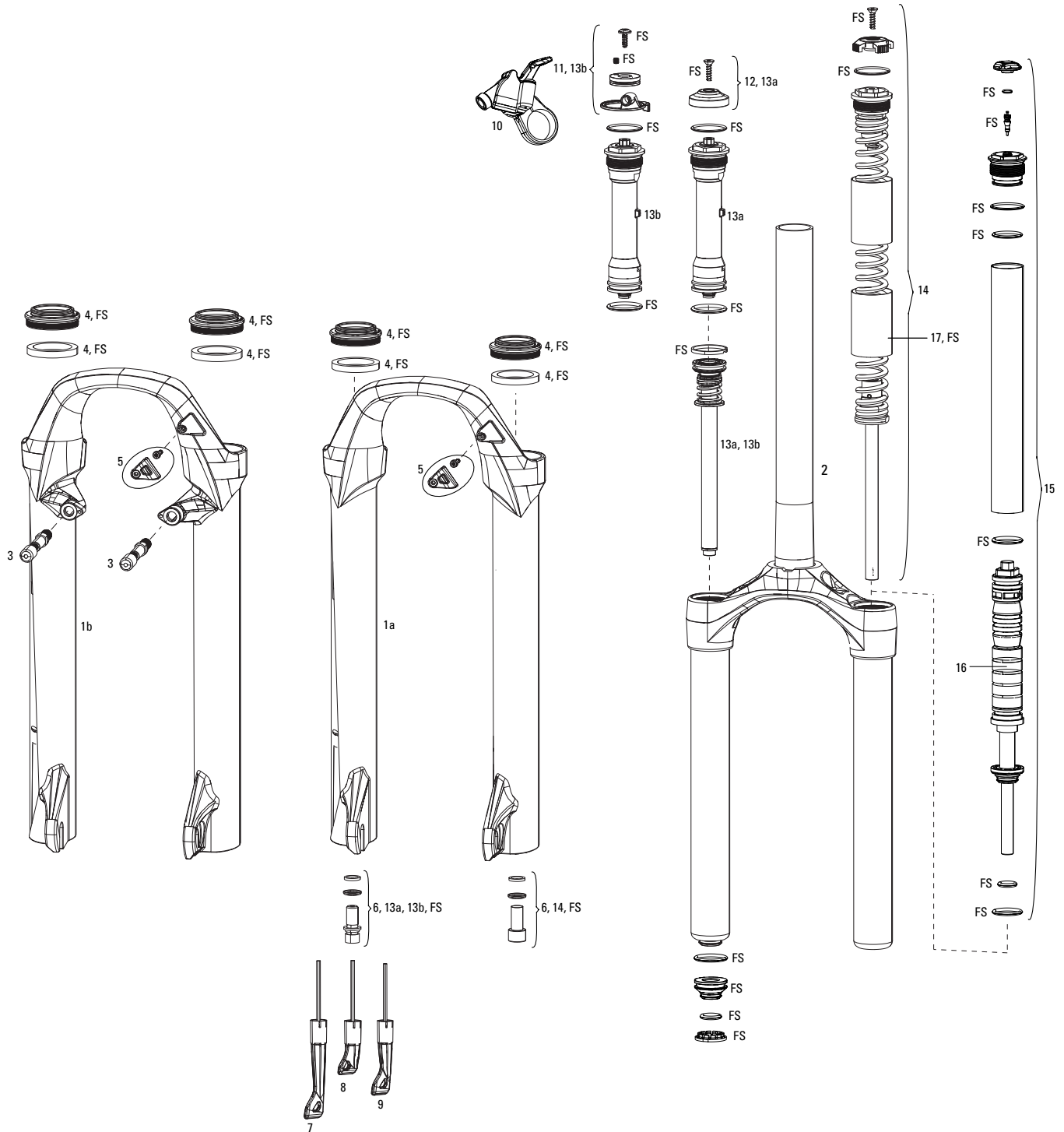


Note:

1. Full service kits include replaceable o-rings, glide rings, retaining rings, crush washers, crush washer retainers and shaft bolts/nuts. Not all service parts are pictured. All basic service kits include the following replaceable wear items: o-rings, glide rings, dust seals, and foam rings.



No.	Part Number	Description
1	11.4018.006.133	Lower Leg 27.5Q Disc Black (decals not included) - XC30 A1-A3, B1/30 Gold A1/30 Silver A1
1	11.4018.006.134	Lower Leg 27.5Q Disc White (decals not included) - XC30 A1-A3, B1/30 Gold A1/30 Silver A1
1	11.4018.006.135	Lower Leg 27.5Q Disc Diffusion Black (decals not included) -XC30 A1-A3, B1/30 Gold A1/30 Silver A1
1	11.4018.006.136	Lower Leg 29Q Disc Black (decals not included) - XC30 A1-A3,B1/30 Gold A1/30 Silver A1
1	11.4018.006.137	Lower Leg 29Q Disc White (decals not included) - XC30 A1-A3,B1/30 Gold A1/30 Silver A1
1	11.4018.006.138	Lower Leg 29Q Disc Diffusion Black (decals not included) - XC30 A1-A3, B1/30 Gold A1/30 Silver A1
2	11.4018.008.389	CSU XC30 27.5 42 Off-Set Aluminum 11/8 Black B1
2	11.4018.008.390	CSU XC30 27.5 42 Off-Set Aluminum Taper Black B1
2	11.4018.008.391	CSU XC30 29 46 Off-Set Aluminum 11/8 Black B1
2	11.4018.008.392	CSU XC30 29 46 Off-Set Aluminum Taper Black B1
2	11.4018.008.393	CSU XC30 29 51 Off-Set Aluminum 11/8 Black B1
2	11.4018.008.394	CSU XC30 29 51 Off-Set Aluminum Taper Black B1
3	11.4018.028.006	Dust Seal/Foam Ring Black 30mm Seal, 5mm Foam Ring - XC30/30Gold/30 Silver/Paragon
4	11.4015.534.010	Hydraulic Hose Clamp, Lower Leg
5	11.4310.465.000	Fork Shaft Bolt Kit
6	11.4308.848.000	PopLoc Lever Left (17mm cable pull, not compatible with 2013+ Motion Control)
6	11.4309.207.000	PopLoc Lever Right (17mm cable pull, not compatible with 2013+ Motion Control)
ns	11.4308.849.000	PopLoc Adjust Lever Left (17mm cable pull, not compatible with 2013+ Motion Control)
ns	11.4309.208.000	PopLoc Adjust Lever Right (17mm cable pull, not compatible with 2013+ Motion Control)
7	11.4015.536.010	Remote Spool/Cable Clamp Kit - XC30 A1-A3, B1/30 Gold A1/30Silver A1
8	11.4015.461.060	Compression Knob Kit, TurnKey - XC30 B1
9	11.4018.009.071	Damper Internals Right Turnkey XC30 Coil 27.5/29 80/100 Crown Adjust B1
10	11.4018.009.072	Damper Internals Right Turnkey XC30 Coil 27.5/29 80/100 Remote 17mm Cable Pull (PopLoc/2010-2013 PushLoc only) B1
11	11.4018.010.156	Spring Internals Left XC30 27.5/29 80 X-Soft Silver B1
11	11.4018.010.157	Spring Internals Left XC30 27.5/29 80 Soft Yellow B1
11	11.4018.010.158	Spring Internals Left XC30 27.5/29 80 Medium Red B1
11	11.4018.010.159	Spring Internals Left XC30 27.5/29 80 Firm Blue B1
11	11.4018.010.160	Spring Internals Left XC30 27.5/29 80 XFirm Black B1
11	11.4018.010.161	Spring Internals Left XC30 27.5/29 100 X-Soft Silver B1
11	11.4018.010.162	Spring Internals Left XC30 27.5/29 100 Soft Yellow B1
11	11.4018.010.163	Spring Internals Left XC30 27.5/29 100 Medium Red B1
11	11.4018.010.164	Spring Internals Left XC30 27.5/29 100 Firm Blue B1
11	11.4018.010.165	Spring Internals Left XC30 27.5/29 100 XFirm Black B1
11	11.4018.010.166	Spring Internals Left XC30 27.5/29 120 X-Soft Silver B1
11	11.4018.010.167	Spring Internals Left XC30 27.5/29 120 Soft Yellow B1
11	11.4018.010.168	Spring Internals Left XC30 27.5/29 120 Medium Red B1
11	11.4018.010.169	Spring Internals Left XC30 27.5/29 120 Firm Blue B1
11	11.4018.010.170	Spring Internals Left XC30 27.5/29 120 XFirm Black B1
12	11.4309.336.000	Coil Spring Isolator Kit Qty 3
FS	11.4015.539.030	Service Kit Full Coil - XC30 B1
bulk	11.4015.259.000	Crush Washer 8mm, Qty 50
bulk	11.4015.260.000	Crush Washer Retainer, Qty 50
bulk	11.4018.028.007	Dust Seal 30mm Black - XC30/30 Gold/30 Silver/Paragon Qty 20
bulk	11.4018.028.008	Foam Ring 30mm x 5mm - XC30/30 Gold/30 Silver Qty 20
ns	11.4318.003.403	Decal Kit XC30 Turnkey 27.5/29 Disc Coil Silver/White LowerLeg B1
ns	11.4318.003.404	Decal Kit XC30 Turnkey 27.5/29 Disc Coil Silver/Black LowerLeg B1
ns	11.4318.003.405	Decal Kit XC30 Turnkey 27.5/29 Disc Coil Silver/Diffusion Black Lower Leg B1
ns	11.4315.021.020	RockShox Suspension Oil, 5wt, 120ml Bottle - Fork Damper
ns	11.4015.354.010	RockShox Suspension Oil, 5wt, 1 Liter Bottle - Fork Damper
ns	11.4315.021.040	RockShox Suspension Oil, 15wt, 120ml Bottle - Lower Legs
ns	11.4015.354.030	RockShox Suspension Oil, 15wt, 1 Liter Bottle - Lower Legs
ns	00.4318.008.000	Grease SRAM Butter 20ml Syringe, Friction Reducing Grease bySlickoleum - Recommended for X0/Rise XX/Roam 40, 30/Rail 40/Rise 60 B1/ Hub Pawls, RockShox Forks and Reverb Service
ns	00.4318.008.001	Grease SRAM Butter 1oz Container, Friction Reducing Grease by Slickoleum - Recommended for X0/Rise XX/Roam 40, 30/Rail 40/Rise 60 B1/ Hub Pawls, RockShox Forks and Reverb Service



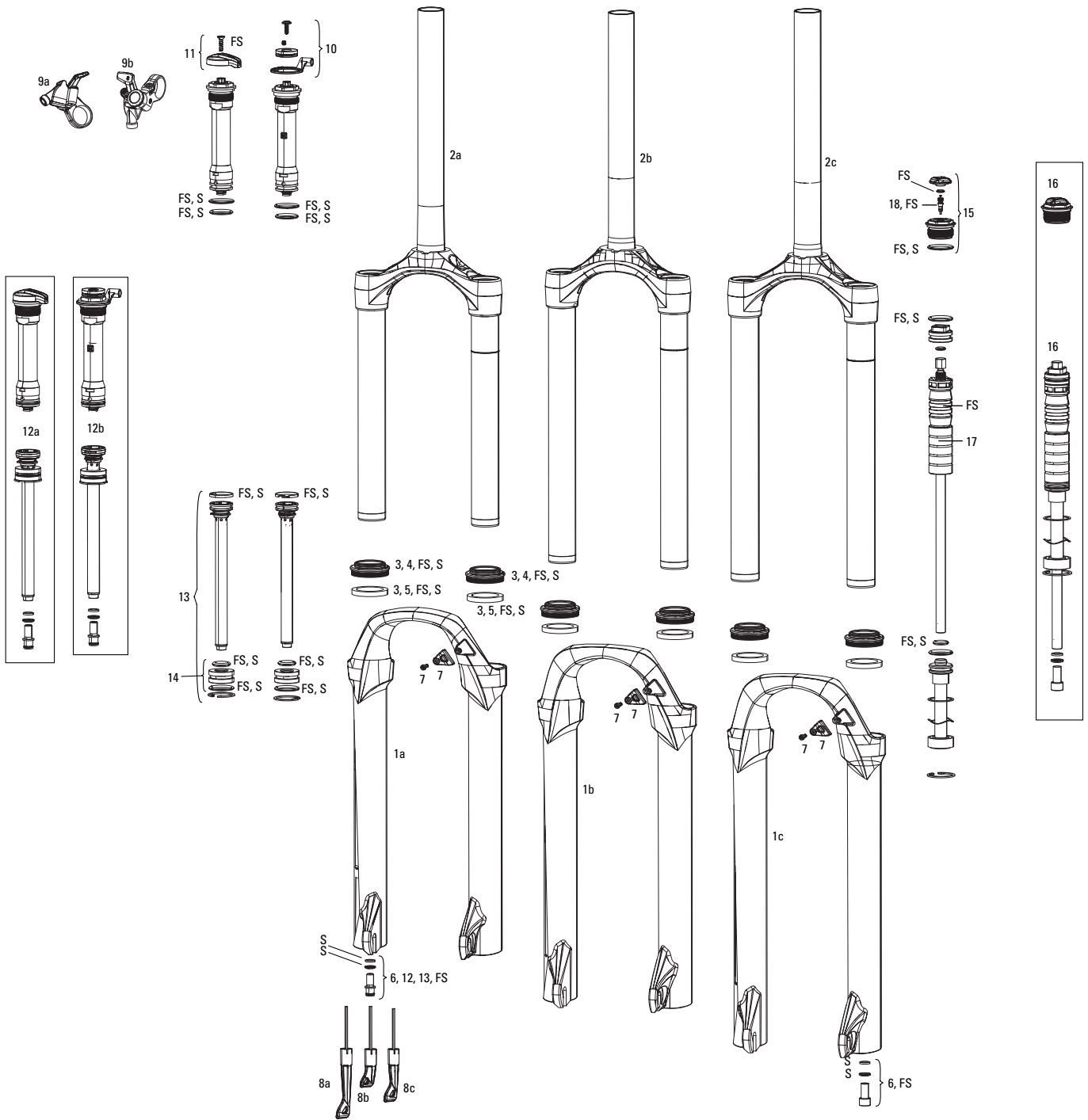
Note:

1. Full service kits include replaceable o-rings, glide rings, retaining rings, crush washers, crush washer retainers and shaft bolts/nuts. All basic service kits include the following replaceable wear items: o-rings, glide rings, dust seals, and foam rings.

30 SILVER (A1/2016)



No.	Part Number	Description
1a	11.4015.532.010	Lower Leg 26Q Disc Black 9mm QR (decals not included) - XC30A1-A3/30 Gold A1/30 Silver A1
1a	11.4018.006.073	Lower Leg 26Q Disc White (decals not included) - XC30 A1-A3/30 Gold A1/30 Silver A1
1a	11.4018.006.074	Lower Leg 26Q Disc Diffusion Black (decals not included) - XC30 A1-A3/30 Gold A1/30 Silver A1
1b	11.4015.532.020	Lower Leg 26Q Rim/Disc Black 9mm QR (decals not included) -XC30 A1-A3/30 Gold A1/30 Silver A1
1b	11.4018.006.075	Lower Leg 26Q Rim/Disc White (decals not included) -XC30 A1 A3/30 Silver A1
1b	11.4018.006.076	Lower Leg 26Q Rim/Disc Diffusion Black (decals not included) XC30 A1-A3/30 Gold A1/30 Silver A1
1a	11.4018.006.133	Lower Leg 27.5Q Disc Black (decals not included) -XC30 A1-A3, B1/30 Gold A1/30 Silver A1
1a	11.4018.006.134	Lower Leg 27.5Q Disc White (decals not included) -XC30 A1-A3, B1/30 Gold A1/30 Silver A1
1a	11.4018.006.135	Lower Leg 27.5Q Disc Diffusion Black (decals not included) -XC30 A1-A3, B1/30 Gold A1/30 Silver A1
1a	11.4018.006.136	Lower Leg 29Q Disc Black (decals not included) -XC30 A1-A3,B1/30 Gold A1/30 Silver A1
1a	11.4018.006.137	Lower Leg 29Q Disc White (decals not included) -XC30 A1-A3,B1/30 Gold A1/30 Silver A1
1a	11.4018.006.138	Lower Leg 29Q Disc Diffusion Black (decals not included) -XC30 A1-A3, B1/30 Gold A1/30 Silver A1
2	11.4018.008.358	CSU XC30 A1-A3/30 Silver A1 Satin Nickel 26 Aluminum 11/8 Black
2	11.4018.008.208	CSU XC30 A1-A3/30 Silver A1 Satin Nickel 27.5 Aluminum 11/8Black
2	11.4018.008.211	CSU XC30 A1-A3/30 Silver A1 Satin Nickel 27.5 Aluminum TaperBlack
2	11.4018.008.385	CSU XC30 A1-A3/30 Silver A1 29 46 Off-Set Aluminum 11/8 Black
2	11.4018.008.386	CSU XC30 A1-A3/30 Silver A1 29 46 Off-Set Aluminum Taper Black
2	11.4018.008.387	CSU XC30 A1-A3/30 Silver A1 29 51 Off-Set Aluminum 11/8 Black
2	11.4018.008.388	CSU XC30 A1-A3/30 Silver A1 29 51 Off-Set Aluminum Taper Black
3	11.4307.469.000	Brake Post Kit Steel (Qty 2)
4	11.4018.028.006	Dust Seal/Foam Ring Black 30mm Seal, 5mm Foam Ring - XC30/30Gold/30 Silver/Paragon
5	11.4015.534.010	Hydraulic Hose Clamp, Lower Leg
6	11.4310.465.000	Fork Shaft Bolt Kit
7	11.4018.033.000	Rebound Adjuster 26 Long - XC30 A1-A3/30 Gold A1/30 Silver A1
8	11.4018.033.001	Rebound Adjuster 27.5 -XC30 A1-A3/XC32/30 Gold/Recon SilverB1
9	11.4018.033.002	Rebound Adjuster 29 -XC30 A1-A3/30 Gold A1/30 Silver A1
10	11.4308.848.000	PopLoc Lever Left (17mm cable pull, not compatible with 2013+ Motion Control)
10	11.4309.207.000	PopLoc Lever Right (17mm cable pull, not compatible with 2013+ Motion Control)
ns	11.4308.849.000	PopLoc Adjust Lever Left (17mm cable pull, not compatible with 2013+ Motion Control)
ns	11.4309.208.000	PopLoc Adjust Lever Right (17mm cable pull, not compatible with 2013+ Motion Control)
11	11.4015.536.010	Remote Spool/Cable Clamp Kit -XC30 A1-A3, B1/30 Gold A1/30Silver A1
12	11.4015.461.050	Compression Knob Kit, TurnKey - Recon/Sektor/30 Gold/30 Silver/XC32/XC30 A1-A3
13a	11.4018.009.034	Damper Internals Right Turnkey TK 2629 100 Crown - XC30 A1-A3/30 Silver A1
13a	11.4018.009.032	Damper Internals Right Turnkey TK 2629 80 Crown - XC30 A1-A3/30 Silver A1
13a	11.4018.009.036	Damper Internals Right Turnkey TK 27.5 80-100 Crown - XC30 A1-A3/30 Silver A1
13a	11.4018.009.063	Damper Internals Right Turnkey XC30 TK 26 Solo Air 80-100 Crown Adjust A1
13b	11.4018.009.035	Damper Internals Right Turnkey TK 2629 100 Remote 17mmCablePull (PopLoc/2010-2013 PushLoc only) -XC30 A1-A3/30 SilverA1
13b	11.4018.009.033	Damper Internals Right Turnkey TK 2629 80 Remote 17mm CablePull (PopLoc/2010-2013 PushLoc only) -XC30 A1-A3/30 SilverA1
13b	11.4018.009.037	Damper Internals Right Turnkey TK 27.5 80-100 Remote 17mm Cable Pull (PopLoc/2010-2013 PushLoc only) -XC30 A1-A3/30 Silver A1
13b	11.4018.009.064	Damper Internals Right Turnkey XC30 TK 26 Solo Air 80-100 Remote 17mm Cable Pull (PopLoc/original PushLoc only) A1
14	11.4015.538.010	Spring Internals, Top Cap and Adjuster Knob Kit 26 100mm X-Soft Silver -XC30 A1-A3/30 Silver A1
14	11.4015.538.020	Spring Internals, Top Cap and Adjuster Knob Kit 26 100mm Soft Yellow -XC30 A1-A3/30 Silver A1
14	11.4015.538.030	Spring Internals, Top Cap and Adjuster Knob Kit 26 100mm Medium Red -XC30 A1-A3/30 Silver A1
14	11.4015.538.040	Spring Internals, Top Cap and Adjuster Knob Kit 26 100mm Firm Blue -XC30 A1-A3/30 Silver A1
14	11.4015.538.050	Spring Internals, Top Cap and Adjuster Knob Kit 26 100mm X-Firm Black -XC30 A1-A3/30 Silver A1
14	11.4015.538.060	Spring Internals, Top Cap and Adjuster Knob Kit 26 80mm X-Soft Silver -XC30 A1-A3/30 Silver A1
14	11.4015.538.070	Spring Internals, Top Cap and Adjuster Knob Kit 26 80mm SoftYellow -XC30 A1-A3/30 Silver A1
14	11.4015.538.080	Spring Internals, Top Cap and Adjuster Knob Kit 26 80mm Medium Red -XC30 A1-A3/30 Silver A1
14	11.4015.538.090	Spring Internals, Top Cap and Adjuster Knob Kit 26 80mm FirmBlue -XC30 A1-A3/30 Silver A1
14	11.4015.538.100	Spring Internals, Top Cap and Adjuster Knob Kit 26 80mm X-Firm Black -XC30 A1-A3/30 Silver A1
14	11.4018.010.087	Spring Internals Left 80 X-Soft Silver -XC30 27.5 A1-A3/30Silver 27.5/29 A1
14	11.4018.010.088	Spring Internals Left 80 Soft Yellow -XC30 27.5 A1-A3/30 Silver 27.5/29 A1
14	11.4018.010.089	Spring Internals Left 80 Medium Red -XC30 27.5 A1-A3/30 Silver 27.5/29 A1
14	11.4018.010.090	Spring Internals Left 80 Firm Blue -XC30 27.5 A1-A3/30 Silver 27.5/29 A1
14	11.4018.010.091	Spring Internals Left 80 XFirm Black -XC30 27.5 A1-A3/30 Silver 27.5/29 A1
14	11.4018.010.092	Spring Internals Left 100 X-Soft Silver -XC30 27.5 A1-A3/30Silver 27.5/29 A1
14	11.4018.010.093	Spring Internals Left 100 Soft Yellow -XC30 27.5 A1-A3/30 Silver 27.5/29 A1
14	11.4018.010.094	Spring Internals Left 100 Medium Red -XC30 27.5 A1-A3/30 Silver 27.5/29 A1
14	11.4018.010.095	Spring Internals Left 100 Firm Blue -XC30 27.5 A1-A3/30 Silver 27.5/29 A1
14	11.4018.010.096	Spring Internals Left 100 XFirm Black -XC30 27.5 A1-A3/30 Silver 27.5/29 A1
14	11.4018.010.171	Spring Internals Left 120 X-Soft Silver - 30 Silver 27.5 A1
14	11.4018.010.172	Spring Internals Left 120 Soft Yellow - 30 Silver 27.5 A1
14	11.4018.010.173	Spring Internals Left 120 Medium Red - 30 Silver 27.5
14	11.4018.010.174	Spring Internals Left 120 Firm Blue - 30 Silver 27.5
14	11.4018.010.175	Spring Internals Left 120 XFirm Black - 30 Silver 27.5
15	11.4018.010.097	Spring Internals Left 100 Solo Air (includes top cap, solo air spring and air tube, shaft bolt) -XC30 27.5 A1-A3/30 Silver 27.5/29 A1
15	11.4018.010.098	Spring Internals Left 120 Solo Air (includes top cap, solo air spring and air tube, shaft bolt) -XC30 27.5 A1-A3/30 Silver 27.5/29 A1
15	11.4018.010.149	Spring Internals Left Solo Air XC30 A1-A3/30 Silver A1 27/2980 (includes top cap assy, solo air spring, inner tube, baseplate and shaft bolts)
15	11.4018.010.150	Spring Internals Left Solo Air XC30 A1-A3/30 Silver A1 26 80(includes top cap assy, solo air spring, inner tube, baseplate and shaft bolts)
15	11.4018.010.151	Spring Internals Left Solo Air XC30 A1-A3/30 Silver A1 26 100 (includes top cap assy, solo air spring, inner tube, baseplate and shaft bolts)
16	11.4018.034.000	Travel Spacers Solo Air (used to change travel) - Recon/30 Gold/30 Silver/XC 32/XC30/Paragon
17	11.4309.336.000	Coil Spring Isolator Kit Qty 3
FS	11.4015.539.020	Service Kit Full Coil and Solo Air -XC30 A1-A3/30 Silver A1
bulk	11.4015.259.000	Crush Washer 8mm, Qty 50
bulk	11.4015.260.000	Crush Washer Retainer, Qty 50
bulk	11.4018.028.007	Dust Seal 30mm Black -XC30/30 Gold/30 Silver/Paragon Qty 20
bulk	11.4018.028.008	Foam Ring 30mm x 5mm -XC30/30 Gold/30 Silver Qty 20
ns	11.4318.003.406	Decal Kit 30 Silver 26/27.5/29 Silver/Black (includes decalsfor post mount and disc) A1
ns	11.4318.003.407	Decal Kit 30 Silver 26/27.5/29 Silver/White (includes decalsfor post mount and disc) A1
ns	11.4318.003.408	Decal Kit 30 Silver 26/27.5/29 Silver/Diffusion Black (includes decals for post mount and disc) A1
ns	11.4315.021.020	RockShox Suspension Oil, 5wt, 120ml Bottle - Fork Damper
ns	11.4015.354.010	RockShox Suspension Oil, 5wt, 1 Liter Bottle - Fork Damper
ns	11.4315.021.040	RockShox Suspension Oil, 15wt, 120ml Bottle - Lower Legs
ns	11.4015.354.030	RockShox Suspension Oil, 15wt, 1 Liter Bottle - Lower Legs
ns	00.4318.008.000	Grease SRAM Butter 20ml Syringe, Friction Reducing Grease bySlickoleum - Recommended for X0/Rise XX/Roam 40, 30/Rail 40/Rise 60 B1/ Hub Pawls, RockShox Forks and Reverb Service
ns	00.4318.008.001	Grease SRAM Butter 1oz Container, Friction Reducing Grease by Slickoleum - Recommended for X0/Rise XX/Roam 40, 30/Rail 40/Rise 60 B1/ Hub Pawls, RockShox Forks and Reverb Service

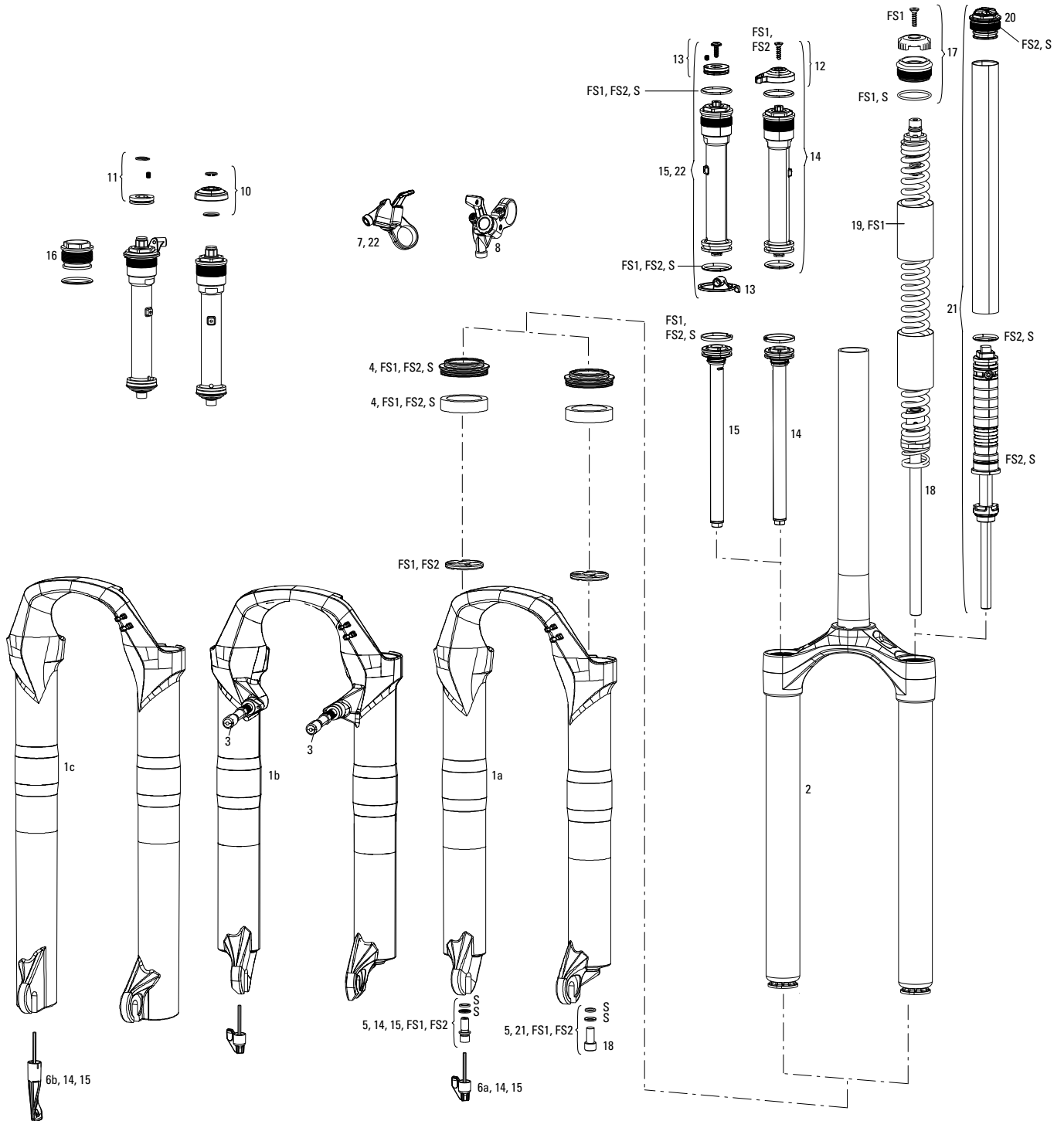


Note:
 1. Full service kits include replaceable o-rings, glide rings, retaining rings, crush washers, crush washer retainers, lower leg bottom-out bumpers and shaft bolts/nuts. Not all service parts are pictured. All basic service kits include the following replaceable wear items: o-rings, glide rings, dust seals, and foam rings.

30 GOLD (A1/2014-2016)



No.	Part Number	Description
1a	11.4015.532.010	Lower Leg 26Q Disc Black 9mm QR (decals not included) - XC30A1-A3/30 Gold A1/30 Silver A1
1a	11.4015.532.020	Lower Leg 26Q Rim/Disc Black 9mm QR (decals not included) -XC30 A1-A3/30 Gold A1/30 Silver A1
1a	11.4018.006.073	Lower Leg 26Q Disc White (decals not included) - XC30 A1-A3/30 Gold A1/30 Silver A1
1a	11.4018.006.074	Lower Leg 26Q Disc Diffusion Black (decals not included) - XC30 A1-A3/30 Gold A1/30 Silver A1
1b	11.4018.006.133	Lower Leg 27.5Q Disc Black (decals not included) - XC30 A1-A3, B1/30 Gold A1/30 Silver A1
1b	11.4018.006.134	Lower Leg 27.5Q Disc White (decals not included) - XC30 A1-A3, B1/30 Gold A1/30 Silver A1
1b	11.4018.006.135	Lower Leg 27.5Q Disc Diffusion Black (decals not included) -XC30 A1-A3, B1/30 Gold A1/30 Silver A1
1c	11.4018.006.136	Lower Leg 29Q Disc Black (decals not included) - XC30 A1-A3,B1/30 Gold A1/30 Silver A1
1c	11.4018.006.137	Lower Leg 29Q Disc White (decals not included) - XC30 A1-A3,B1/30 Gold A1/30 Silver A1
1c	11.4018.006.138	Lower Leg 29Q Disc Diffusion Black (decals not included) - XC30 A1-A3, B1/30 Gold A1/30 Silver A1
2a	11.4018.008.214	CSU 30 Gold Solo Air 26 Aluminum 11/8 Black A1
2a	11.4018.008.215	CSU 30 Gold Solo Air 26 Aluminum 11/8 White A1
2a	11.4018.008.216	CSU 30 Gold Solo Air 26 Aluminum 11/8 Diffusion Black A1
2b	11.4018.008.220	CSU 30 Gold Solo Air 27.5 Aluminum 11/8 Black A1
2b	11.4018.008.221	CSU 30 Gold Solo Air 27.5 Aluminum 11/8 White A1
2b	11.4018.008.222	CSU 30 Gold Solo Air 27.5 Aluminum 11/8 Diffusion Black A1
2c	11.4018.008.226	CSU 30 Gold Solo Air 29 46 Off-Set Aluminum 11/8 Black A1
2c	11.4018.008.227	CSU 30 Gold Solo Air 29 46 Off-Set Aluminum 11/8 White A1
2c	11.4018.008.228	CSU 30 Gold Solo Air 29 46 Off-Set Aluminum 11/8 Diffusion Black A1
2c	11.4018.008.229	CSU 30 Gold Solo Air 29 51 Off-Set Aluminum 11/8 Black A1
2c	11.4018.008.230	CSU 30 Gold Solo Air 29 51 Off-Set Aluminum 11/8 White A1
2c	11.4018.008.231	CSU 30 Gold Solo Air 29 51 Off-Set Aluminum 11/8 Diffusion Black A1
2a	11.4018.008.217	CSU 30 Gold Solo Air 26 Aluminum Taper Black A1
2a	11.4018.008.218	CSU 30 Gold Solo Air 26 Aluminum Taper White A1
2a	11.4018.008.219	CSU 30 Gold Solo Air 26 Aluminum Taper Diffusion Black A1
2b	11.4018.008.223	CSU 30 Gold Solo Air 27.5 Aluminum Taper Black A1
2b	11.4018.008.224	CSU 30 Gold Solo Air 27.5 Aluminum Taper White A1
2b	11.4018.008.225	CSU 30 Gold Solo Air 27.5 Aluminum Taper Diffusion Black A1
2c	11.4018.008.232	CSU 30 Gold Solo Air 29 46 Off-Set Aluminum Taper Black A1
2c	11.4018.008.233	CSU 30 Gold Solo Air 29 46 Off-Set Aluminum Taper White A1
2c	11.4018.008.234	CSU 30 Gold Solo Air 29 46 Off-Set Aluminum Taper DiffusionBlack A1
2c	11.4018.008.235	CSU 30 Gold Solo Air 29 51 Off-Set Aluminum Taper Black A1
2c	11.4018.008.236	CSU 30 Gold Solo Air 29 51 Off-Set Aluminum Taper White A1
2c	11.4018.008.237	CSU 30 Gold Solo Air 29 51 Off-Set Aluminum Taper DiffusionBlack A1
2c	11.4018.008.497	Dust Seal/Foam Ring Black 30mm Seal, 5mm Foam Ring - XC30/30Gold/30 Silver/Paragon
3	11.4018.028.006	Dust Seal 30mm Black - XC30/30 Gold/30 Silver/Paragon Qty 20
4	11.4018.028.007	Foam Ring 30mm x 5mm - XC30/30 Gold/30 Silver Qty 20
5	11.4018.028.008	Fork Shaft Bolt Kit
6	11.4310.465.000	Hydraulic Hose Clamp, Lower Leg
7	11.4015.534.010	Rebound Adjuster 26 Long - XC30 A1-A3/30 Gold A1/30 Silver A1
8a	11.4018.033.000	Rebound Adjuster 27.5 - XC30 A1-A3/XC32/30 Gold/Recon SilverB1
8b	11.4018.033.001	Rebound Adjuster 29 - XC30 A1-A3/30 Gold A1/30 Silver A1
8c	11.4018.033.002	PopLoc Lever Left (17mm cable pull, not compatible with 2013+ Motion Control)
9a	11.4308.848.000	PopLoc Lever Right (17mm cable pull, not compatible with 2013+ Motion Control)
9a	11.4309.207.000	PopLoc Adjust Lever Left (17mm cable pull, not compatible with 2013+ Motion Control)
9b	11.4308.849.000	PopLoc Adjust Lever Right (17mm cable pull, not compatible with 2013+ Motion Control)
9b	11.4309.208.000	Remote Spool/Cable Clamp Kit - XC30 A1-A3, B1/30 Gold A1/30Silver A1
10	11.4015.536.010	Compression Knob Kit, TurnKey - Recon/Sektor/30 Gold/30 Silver/XC32/XC30 A1-A3
11	11.4015.461.050	Damper Internals Right Turnkey 30 Gold TK 26,27.5,29 80-100Crown A1
12a	11.4018.009.040	Damper Internals Right Turnkey 30 Gold TK 27.5,29 120 CrownA1
12a	11.4018.009.042	Damper Internals Right Turnkey 30 Gold TK 26,27.5,29 80-100Remote 17mm Cable Pull (PopLoc/original PushLoc only) A1
12b	11.4018.009.041	Damper Internals Right Turnkey 30 Gold TK 27.5,29 120 Remote17mm Cable Pull (PopLoc/original PushLoc only) A1
12b	11.4018.009.043	CSU 30 Gold Solo Air 29 51 Off-Set Aluminum Taper Diffusion Black (no gradients) - 30 Gold (2017+)
12b	11.4018.009.084	Damper Internals Right Motion Control 30 Gold RL (10mm Pull 2013+ Damper/PushLoc and OneLoc) - 30 Gold RL A1 (2017+)
13	11.4018.025.010	Rebound Damper and Seal Head Assembly/Shaft Bolt- 30 Gold TKA1
14	11.4015.353.040	Seal Head Assembly (Rebound Damper, Turnkey) 30mm -30 Gold A1/Paragon Gold A1
15	11.4018.012.005	Air Top Cap, Solo Air 30mm 30 Gold A1
16	11.4018.010.099	Spring Internals Left 30 Gold 26 80 Solo Air (includes top cap, solo air spring, shaft bolt) A1
16	11.4018.010.100	Spring Internals Left 30 Gold 26 100 Solo Air (includes topcap, solo air spring, shaft bolt) A1
16	11.4018.010.118	Spring Internals Left 30 Gold 27.5, 29 110 Solo Air (includes top cap, solo air spring, shaft bolt) A1
16	11.4018.010.101	Spring Internals Left 30 Gold 27.5, 29 80 Solo Air (includes top cap, solo air spring, shaft bolt) A1
16	11.4018.010.102	Spring Internals Left 30 Gold 27.5, 29 100 Solo Air (includes top cap, solo air spring, shaft bolt) A1
16	11.4018.010.103	Spring Internals Left 30 Gold 27.5, 29 120 Solo Air (includes top cap, solo air spring, shaft bolt) A1
17	11.4018.034.000	Travel Spacers Solo Air (used to change travel) - Recon/30 Gold/30 Silver/XC 32/XC30/Paragon
18	11.4308.327.002	Schrader Valve Core Qty 2
FS	11.4018.035.000	Service Kit Full - 30 Gold Solo Air (includes solo air and damper seals and hardware) A1
S	00.4315.032.400	AM Fork Service Kit, Basic (includes dust seals, foam rings,o-ring seals) - 30 Gold A1(2014-2016)
bulk	11.4015.259.000	Crush Washer 8mm, Qty 50
bulk	11.4015.260.000	Crush Washer Retainer, Qty 50
bulk	11.4018.028.007	Dust Seal 30mm Black - XC30/30 Gold/30 Silver/Paragon Qty 20
bulk	11.4018.028.008	Foam Ring 30mm x 5mm - XC30/30 Gold/30 Silver Qty 20
ns	11.4318.003.260	Decal Kit 30 Gold 26 Silver/White Lower Leg A1
ns	11.4318.003.261	Decal Kit 30 Gold 26 Silver/Black Lower Leg A1
ns	11.4318.003.262	Decal Kit 30 Gold 26 Silver/Diffusion Black Lower Leg A1
ns	11.4318.003.263	Decal Kit 30 Gold 27.5 Silver/White Lower Leg A1
ns	11.4318.003.264	Decal Kit 30 Gold 27.5 Silver/Black Lower Leg A1
ns	11.4318.003.265	Decal Kit 30 Gold 27.5 Silver/Diffusion Black Lower Leg A1
ns	11.4318.003.266	Decal Kit 30 Gold 29 Silver/White Lower Leg A1
ns	11.4318.003.267	Decal Kit 30 Gold 29 Silver/Black Lower Leg A1
ns	11.4318.003.268	Decal Kit 30 Gold 29 Silver/Diffusion Black Lower Leg A1
ns	11.4309.073.000	Kit Disk Brake Cable Accessory
ns	00.4315.023.010	High-Pressure Fork/Shock Pump (300 psi Max) RockShox
ns	00.4315.022.010	Schrader Valve Removal Tool Rockshox
ns	11.4315.021.020	RockShox Suspension Oil, 5wt, 120ml Bottle - Fork Damper
ns	11.4015.354.010	RockShox Suspension Oil, 5wt, 1 Liter Bottle - Fork Damper
ns	11.4315.021.040	RockShox Suspension Oil, 15wt, 120ml Bottle - Lower Legs
ns	11.4015.354.030	RockShox Suspension Oil, 15wt, 1 Liter Bottle - Lower Legs
ns	00.4318.008.000	Grease SRAM Butter 20ml Syringe, Friction Reducing Grease bySlickoleum - Recommended for X0/Rise XX/Roam 40, 30/Rail 40/Rise 60 B1/ Hub Pawls, RockShox Forks and Reverb Service
ns	00.4318.008.001	Grease SRAM Butter 1oz Container, Friction Reducing Grease by Slickoleum - Recommended for X0/Rise XX/Roam 40, 30/Rail 40/Rise 60 B1/ Hub Pawls, RockShox Forks and Reverb Service



Note:

1. Full service kits include replaceable o-rings, glide rings, retaining rings, crush washers, crush washer retainers and shaft bolts/nuts. All air service kits include replacement schrader valve cores. Not all service parts are pictured. All basic service kits include the following replaceable wear items: o-rings, glide rings, dust seals, and foam rings.
 2. Convert from Crown Adjust to Remote Adjust: Remote compression damper requires remote compression adjuster spool, cable clamp and remote lever assembly.

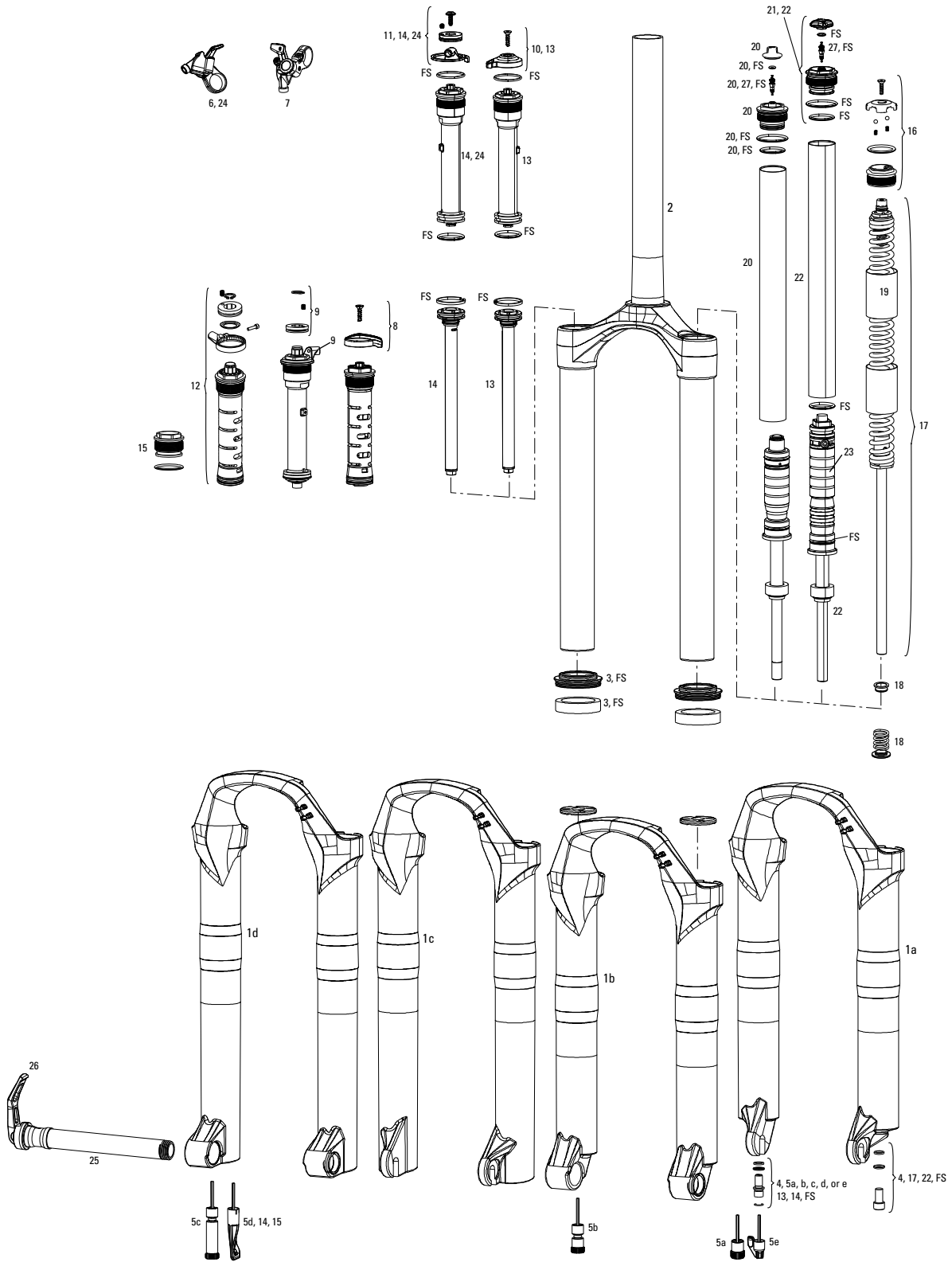
XC32 (A1-A3/2011-2015)



No.	Part Number	Description
1a	11.4015.478.010	Lower Leg, White, Disc, 26", 9mm QR - 2011 Tora TK/XC32/Recon Silver B1 (nodecals)
1a	11.4015.478.020	Lower Leg, Black, Disc, 26", 9mm QR - 2011 Tora TK/XC32/Recon Silver B1 (no decals)
1a	11.4018.006.083	Lower Leg 26Q Disc Diffusion Black - XC32/Recon Silver B1 (decals not included)
1b	11.4015.478.030	Lower Leg, White, Rim/Disc, 26", 9mm QR - 2011 Tora TK/XC32/Recon Silver B1 (no decals)
1b	11.4015.478.040	Lower Leg, Black, Rim/Disc, 26", 9mm QR - 2011 Tora TK/XC32/Recon Silver B1 (no decals)
1b	11.4018.006.082	Lower Leg 26Q Rim/Disc Diffusion Black - XC32/Recon Silver B1 (decals not included)
1a	11.4018.006.199	Lower Leg 27Q Disc Black - XC32/Recon Silver B1 (decals not included)
1a	11.4018.006.200	Lower Leg 27Q Disc White - XC32/Recon Silver B1 (decals not included)
1a	11.4018.006.201	Lower Leg 27Q Disc Diffusion Black - XC32/Recon Silver B1 (decals not included)
1a	11.4018.006.202	Lower Leg 2715 Disc Black - XC32/Recon Silver B1 (decals not included)
1a	11.4018.006.203	Lower Leg 2715 Disc White - XC32/Recon Silver B1 (decals not included)
1a	11.4018.006.204	Lower Leg 2715 Disc Diffusion Black - XC32/Recon Silver B1 (decals not included)
1c	11.4015.478.050	Lower Leg, White, Disc, 29", 9mm QR - 2011 Tora TK/XC32/Recon Silver B1 (no decals)
1c	11.4015.478.060	Lower Leg, Black, Disc, 29", 9mm QR - 2011 Tora TK/XC32/Recon Silver B1 (no decals)
1c	11.4018.006.081	Lower Leg 29Q Disc Diffusion Black - XC32/Recon Silver B1 (decals not included)
ns	11.4015.479.030	CSU, Aluminum Steerer 265mm, 1.5" - 2011 Tora TK/XC32
2	11.4018.008.029	CSU XC32/Recon Silver B1 Satin Nickel 26/29 46 Off-Set Aluminum 11/8 Black
2	11.4018.008.030	CSU XC32/Recon Silver B1 Satin Nickel 26/29 46 Off-Set Aluminum 11/8 White
2	11.4018.008.031	CSU XC32/Recon Silver B1 Satin Nickel 26/29 46 Off-Set Aluminum 11/8 Diffusion Black
2	11.4018.008.395	CSU XC32/Recon Silver B1 Satin Nickel 27 Aluminum Steerer 11/8 Black
2	11.4018.008.396	CSU XC32/Recon Silver B1 Satin Nickel 27 Aluminum Steerer 11/8 White
2	11.4018.008.397	CSU XC32/Recon Silver B1 Satin Nickel 27 Aluminum Steerer 11/8 Diffusion Black
2	11.4018.008.398	CSU XC32/Recon Silver B1 Satin Nickel 27 Aluminum Steerer Taper Black
2	11.4018.008.399	CSU XC32/Recon Silver B1 Satin Nickel 27 Aluminum Steerer Taper White
2	11.4018.008.400	CSU XC32/Recon Silver B1 Satin Nickel 27 Aluminum Steerer Taper Diffusion Black
2	11.4018.008.035	CSU XC32/Recon Silver B1 Satin Nickel 29 51 OffSet Aluminum 11/8 Black
2	11.4018.008.036	CSU XC32/Recon Silver B1 Satin Nickel 29 51 OffSet Aluminum 11/8 White
2	11.4018.008.037	CSU XC32/Recon Silver B1 Satin Nickel 29 51 OffSet Aluminum 11/8 Diffusion Black
2	11.4018.008.038	CSU XC32 Solo Air Satin Nickel 26/29 Aluminum 11/8 Black
2	11.4018.008.039	CSU XC32 Solo Air Satin Nickel 26/29 Aluminum 11/8 White
2	11.4018.008.040	CSU XC32 Solo Air Satin Nickel 26/29 Aluminum 11/8 Diffusion Black
2	11.4018.008.047	CSU SEKTOR SILVER/XC32 Solo Air Satin Nickel 29 51 OffSet Aluminum 11/8 Black
2	11.4018.008.048	CSU SEKTOR SILVER/XC32 Solo Air Satin Nickel 29 51 OffSet Aluminum 11/8 White
2	11.4018.008.049	CSU SEKTOR SILVER/XC32 Solo Air Satin Nickel 29 51 OffSet Aluminum 11/8 Diffusion Black
ns	11.4018.008.032	CSU XC32/Recon Silver B1 Satin Nickel 26/29 46 Off-Set Aluminum Taper Black
ns	11.4018.008.033	CSU XC32/Recon Silver B1 Satin Nickel 26/29 46 Off-Set Aluminum Taper White
ns	11.4018.008.034	CSU XC32/Recon Silver B1 Satin Nickel 26/29 46 Off-Set Aluminum Taper Diffusion Black
ns	11.4018.008.041	CSU XC32/Recon Silver B1 Satin Nickel 29 51 OffSet Aluminum Taper Black
ns	11.4018.008.042	CSU XC32/Recon Silver B1 Satin Nickel 29 51 OffSet Aluminum Taper White
ns	11.4018.008.043	CSU XC32/Recon Silver B1 Satin Nickel 29 51 OffSet Aluminum Taper Diffusion Black
ns	11.4018.008.044	CSU SEKTOR SILVER/XC32 Solo Air Satin Nickel 26/29 Aluminum Taper Black
ns	11.4018.008.045	CSU SEKTOR SILVER/XC32 Solo Air Satin Nickel 26/29 Aluminum Taper White
ns	11.4018.008.046	CSU SEKTOR SILVER/XC32 Solo Air Satin Nickel 26/29 Aluminum Taper Diffusion Black
ns	11.4018.008.050	CSU SEKTOR SILVER/XC32 Solo Air Satin Nickel 29 51 OffSet Aluminum Taper Black
ns	11.4018.008.051	CSU SEKTOR SILVER/XC32 Solo Air Satin Nickel 29 51 OffSet Aluminum Taper White
ns	11.4018.008.052	CSU SEKTOR SILVER/XC32 Solo Air Satin Nickel 29 51 OffSet Aluminum Taper Diffusion Black
3	11.4307.469.000	Brake Post Kit Steel (Qty 2)
4	11.4310.290.000	Dust Seal/Foam Ring Grey 32mm Seal, 10mm Foam Ring-Revelation/Argyle/Sektor/Tora/Recon/XC32
5	11.4310.465.000	Fork Shaft Bolt Kit
6a	11.4015.390.000	HC2 Rebound Adjust Knob Flag NEW (both short and long)
6b	11.4018.033.001	Rebound Adjuster 27.5 - XC30 A1-A3/XC32/30 Gold/Recon Silver B1
6b	11.4015.483.010	Rebound Adjust Knob - 2011 Tora TK/2011 Recon Silver/XC32 29"
7	11.4308.848.000	PopLoc Lever Left (17mm cable pull, not compatible with 2013+ Motion Control)
7	11.4309.207.000	PopLoc Lever Right (17mm cable pull, not compatible with 2013+ Motion Control)
8	11.4308.849.000	PopLoc Adjust Lever Left (17mm cable pull, not compatible with 2013+ Motion Control)
8	11.4309.208.000	PopLoc Adjust Lever Right (17mm cable pull, not compatible with 2013+ Motion Control)
10	11.4015.482.010	Adjuster Knob, Compression, TurnKey - 2011 Tora TK/2011 Recon Silver
11	11.4310.673.000	Compression Adjuster Knob/Remote Spool/Cable Clamp Kit, Turnkey
12	11.4015.461.050	Compression Knob Kit, TurnKey - Recon/Sektor/30 Gold/30 Silver/XC32/XC30 A1-A3
13	11.4018.011.001	Remote Spool/Cable Clamp Kit XC32/Recon Silver (17mm Pull Damper, PopLoc/pre-2013 PushLoc only)
14	11.4018.009.038	Damper Internals Right Turnkey TK 80-120 Crown - Sektor Silver/XC32/Recon Silver B1
15	11.4018.009.039	Damper Internals Right Turnkey TK 80-120 Remote 17mm Cable Pull - Sektor Silver/XC32/Recon Silver B1 (PopLoc/2010-2013 PushLoc only)
16	11.4015.439.010	Top Cap, Rebound, Non-Adjust - 2010 Tora XC, 2011 Recon Silver
17	11.4015.480.010	Top Cap/Preload Adjuster Knob, Aluminum - 2011 Tora TK/Recon Silver B1
18	11.4015.481.010	Spring/Shaft, X-Soft, Silver, 120mm - 2011 Tora TK/Recon Silver B1 (includes spring, shaft, shaft bolt)
18	11.4015.481.020	Spring/Shaft, X-Soft, Silver, 100mm - 2011 Tora TK/Recon Silver B1 (includes spring, shaft, shaft bolt)
18	11.4015.481.030	Spring/Shaft, X-Soft, Silver, 80mm - 2011 Tora TK/Recon Silver B1 (includes spring, shaft, shaft bolt)
18	11.4015.481.040	Spring/Shaft, Soft, Yellow, 120mm - 2011 Tora TK/Recon Silver B1 (includes spring, shaft, shaft bolt)
18	11.4015.481.050	Spring/Shaft, Soft, Yellow, 100mm - 2011 Tora TK/Recon Silver B1 (includes spring, shaft, shaft bolt)
18	11.4015.481.060	Spring/Shaft, Soft, Yellow, 80mm - 2011 Tora TK/Recon Silver B1 (includes spring, shaft, shaft bolt)
18	11.4015.481.070	Spring/Shaft, Medium, Red, 120mm - 2011 Tora TK/Recon Silver B1 (includes spring, shaft, shaft bolt)
18	11.4015.481.080	Spring/Shaft, Medium, Red, 100mm - 2011 Tora TK/Recon Silver B1 (includes spring, shaft, shaft bolt)
18	11.4015.481.090	Spring/Shaft, Medium, Red, 80mm - 2011 Tora TK/Recon Silver B1 (includes spring, shaft, shaft bolt)
18	11.4015.481.100	Spring/Shaft, Firm, Blue, 120mm - 2011 Tora TK/Recon Silver B1 (includes spring, shaft, shaft bolt)
18	11.4015.481.110	Spring/Shaft, Firm, Blue, 100mm - 2011 Tora TK/Recon Silver B1 (includes spring, shaft, shaft bolt)
18	11.4015.481.120	Spring/Shaft, Firm, Blue, 80mm - 2011 Tora TK/Recon Silver B1 (includes spring, shaft, shaft bolt)
18	11.4015.481.130	Spring/Shaft, X-Firm, Black, 120mm - 2011 Tora TK/Recon Silver B1 (includes spring, shaft, shaft bolt)
18	11.4015.481.140	Spring/Shaft, X-Firm, Black, 100mm - 2011 Tora TK/Recon Silver B1 (includes spring, shaft, shaft bolt)
18	11.4015.481.150	Spring/Shaft, X-Firm, Black, 80mm - 2011 Tora TK/Recon Silver B1 (includes spring, shaft, shaft bolt)
19	11.4309.336.000	Coil Spring Isolator Kit Qty 3
20	11.4018.012.000	Air Top Cap, XC32/Recon Silver Black (32mm steel upper tubes only)
21	11.4018.010.031	Spring Internals Left XC32/Recon Silver B1 262729 80 Solo Air (includes topcap, solo air spring and air tube, shaft bolt)
21	11.4018.010.032	Spring Internals Left XC32/Recon Silver B1 262729 100 Solo Air (includes topcap, solo air spring and air tube, shaft bolt)
21	11.4018.010.033	Spring Internals Left XC32/Recon Silver B1 262729 110 Solo Air (includes topcap, solo air spring and air tube, shaft bolt)
21	11.4018.010.034	Spring Internals Left XC32/Recon Silver B1 262729 120 Solo Air (includes topcap, solo air spring and air tube, shaft bolt)
22	00.4318.002.007	Remote Upgrade Kit - Turnkey 17mm - Includes Remote Compression Damper and PopLoc Remote Right 32mm Sektor Silver/XC32/Recon Silver B1



No.	Part Number	Description
FS1	11.4015.485.000	Service Kit - Tora TK/XC32/Recon Silver B1
FS2	11.4018.014.000	Service Kit Full - XC32 Solo Air/Recon Silver B1 (includes solo air and damper seals and hardware)
S	00.4315.032.410	AM Fork Service Kit, Basic (includes dust seals, foam rings,o-ring seals) - XC32 Solo Air A3/Recon Silver B1
ns	11.4315.021.020	RockShox Suspension Oil, 5wt, 120ml Bottle - Fork Damper
ns	11.4015.354.010	RockShox Suspension Oil, 5wt, 1 Liter Bottle - Fork Damper
ns	11.4315.021.040	RockShox Suspension Oil, 15wt, 120ml Bottle - Lower Legs
ns	11.4015.354.030	RockShox Suspension Oil, 15wt, 1 Liter Bottle - Lower Legs
bulk	11.4015.259.000	Crush Washer 8mm, Qty 50
bulk	11.4015.260.000	Crush Washer Retainer, Qty 50
bulk	11.4310.695.000	Dust Seal 32mm Grey - SID/Revelation/Reba/Argyle/Sektor/Tora/Recon/XC32 QTY 20
bulk	11.4310.698.000	Foam Ring 32mm x 10mm - Revelation/Argyle/Sektor/Tora/Recon/XC32 Qty 20
ns	11.4318.003.030	Decal Kit XC32 26 Disc Solo Air Silver/White Lower Leg
ns	11.4318.003.031	Decal Kit XC32 26 Disc Solo Air Silver/Black Lower Leg
ns	11.4318.003.032	Decal Kit XC32 26 Disc Solo Air Silver/Diffusion Black LowerLeg
ns	11.4318.003.033	Decal Kit XC32 26 Rim Solo Air Silver/White Lower Leg
ns	11.4318.003.034	Decal Kit XC32 26 Rim Solo Air Silver/Black Lower Leg
ns	11.4318.003.035	Decal Kit XC32 26 Rim Solo Air Silver/Diffusion Black LowerLeg
ns	11.4318.003.370	Decal Kit XC32 27.5 Disc Silver/White Lower Leg
ns	11.4318.003.371	Decal Kit XC32 27.5 Disc Silver/Black Lower Leg
ns	11.4318.003.372	Decal Kit XC32 27.5 Disc Silver/Diffusion Black Lower Leg
ns	11.4318.003.027	Decal Kit XC32 29 Disc Solo Air Silver/White Lower Leg
ns	11.4318.003.028	Decal Kit XC32 29 Disc Solo Air Silver/Black Lower Leg
ns	11.4318.003.029	Decal Kit XC32 29 Disc Solo Air Silver/Diffusion Black LowerLeg
ns	11.4309.073.000	Kit Disk Brake Cable Accessory
ns	00.4315.023.010	High-Pressure Fork/Shock Pump (300 psi Max) RockShox
ns	00.4315.022.010	Schrader Valve Removal Tool Rockshox
ns	00.4318.005.002	Axle Maxle Lite Front MTB, 15x100, Length 148mm, Thread Length 9mm, Thread Pitch M15x1.50 - SID/Reba/Revelation/Recon/Sektor/XC32
ns	00.4318.005.018	Axle Maxle Stealth Front MTB, 15x100, Length 148mm, Thread Length 9mm, Thread Pitch M15x1.50 (not compatible with RS-1) Standard
ns	11.4318.004.001	Maxle Lite 15mm XC Lever Assembly
ns	00.4318.008.000	Grease SRAM Butter 20ml Syringe, Friction Reducing Grease bySlickoleum - Recommended for X0/Rise XX/Roam 40, 30/Rail 40/Rise 60 B1/ Hub Pawls, RockShox Forks and Reverb Service
ns	00.4318.008.001	Grease SRAM Butter 1oz Container, Friction Reducing Grease by Slickoleum - Recommended for X0/Rise XX/Roam 40, 30/Rail 40/Rise 60 B1/ Hub Pawls, RockShox Forks and Reverb Service



Note:

1. Full service kits include replaceable o-rings, glide rings, retaining rings, crush washers, crush washer retainers and shaft bolts/nuts. Not all service parts are pictured. All basic service kits include the following replaceable wear items: o-rings, glide rings, dust seals, and foam rings.
2. Convert from Crown Adjust to Remote Adjust: Remote compression damper requires remote compression adjuster spool, cable clamp and remote lever assembly.

RECON SILVER (A1-A3/2011-2015)

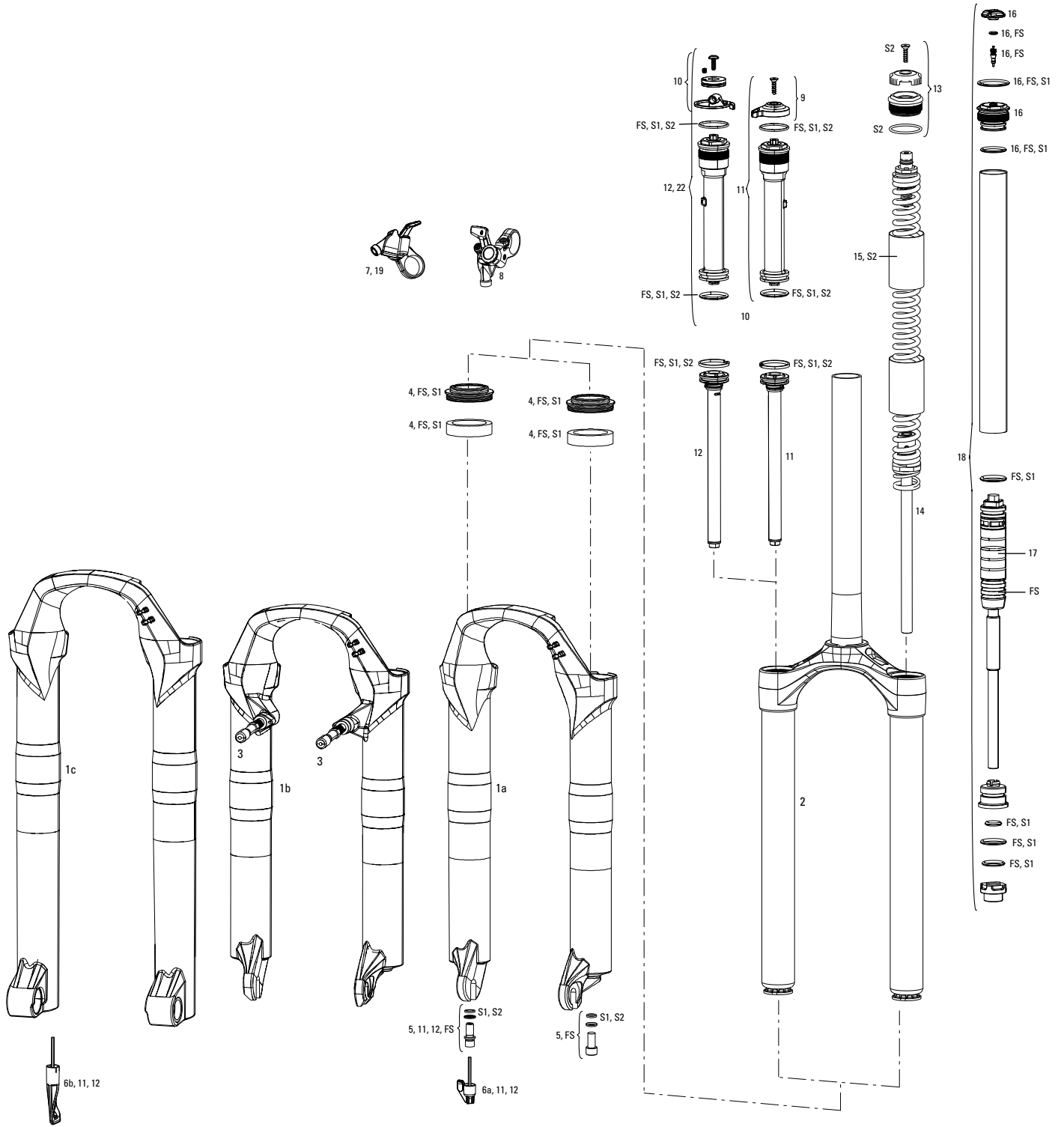


No.	Part Number	Description
1a	11.4018.006.090	Lower Leg Recon 26Q Disc Black
1a	11.4018.006.091	Lower Leg Recon 26Q Disc White
1a	11.4018.006.092	Lower Leg Recon 26Q Disc Diffusion Black
1b	11.4015.310.060	2009-2011 Reba, 2010 Tora/Recon XC/SL/Race, 2011 Recon (Silver/Gold) Lower Leg 26" 20mm Maxle White Disc 80mm-120mm
1b	11.4015.310.080	2009-2011 Reba, 2010 Tora/Recon XC/SL/Race, 2011 Recon (Silver/Gold) Lower Leg 26" 20mm Maxle Black Disc 80mm-120mm
1b	11.4015.395.060	Lower Leg 26" Maxle Lite 15mm, Black 2010-2016 Revelation/2011-2016 Sektor/2012-2016 Recon Gold (no decals)
1b	11.4015.395.050	Lower Leg 26" Maxle Lite 15mm, White 2010-2016 Revelation/2011-2016 Sektor/2012-2016 Recon Gold (no decals)
1b	11.4015.395.070	Lower Leg 26" Maxle Lite 15mm, Diffusion Black 2010-2016 Revelation/2011-2016 Sektor/2012-2016 Recon Gold (no decals)
1c	11.4018.006.093	Lower Leg Recon 29Q Disc Black
1c	11.4018.006.094	Lower Leg Recon 29Q Disc White
1c	11.4018.006.095	Lower Leg Recon 29Q Disc Diffusion Black
1d	11.4018.006.084	Lower Leg Sektor/Recon 2920 Disc Black
1d	11.4018.006.085	Lower Leg Sektor/Recon 2920 Disc White
1d	11.4018.006.086	Lower Leg Sektor/Recon 2920 Disc Diffusion Black
1d	11.4018.006.087	Lower Leg 2915 Disc Black- Sektor/Recon Gold/XC32/Recon Silver B1
1d	11.4018.006.088	Lower Leg 2915 Disc White - Sektor/Recon Gold/XC32/Recon Silver B1
1d	11.4018.006.089	Lower Leg 2915 Disc Diffusion Black - Sektor/Recon Gold/XC32/Recon Silver B1
ns	11.4015.310.140	2010 Tora/Recon (XC/SL/Race), 2011 Recon (Silver/Gold) LowerLeg 26" Black Rim/Disc 80mm-120mm
ns	11.4015.310.120	2010 Tora/Recon (XC/SL/Race), 2011 Recon (Silver/Gold) LowerLeg 26" White Rim/Disc 80mm-120mm
2	11.4015.435.010	CSU Solo Air, Aluminum Steerer 265mm - 2010 Tora XC/SL, 2011Recon Silver
2	11.4015.435.020	CSU Coil, Aluminum Steerer 265mm - 2010 Tora XC/SL, 2011 Recon Silver (coil top-out spring assy)
2	11.4015.435.030	CSU Coil, Steel Steerer 320mm - 2010 Tora XC/SL, 2011 ReconSilver (coil top-out spring assy)
2	11.4015.435.040	CSU Solo Air, Aluminum Steerer 265mm - 2010 Tora XC/SL, 2011Recon Silver 29er (46 off-set)
2	11.4015.435.050	CSU Coil, Aluminum Steerer 265mm - 2010 Tora XC/SL, 2011 Recon Silver 29er (46 off-set) (coil top-out spring assy)
2	11.4018.008.053	CSU Recon Silver Solo Air Satin Nickel 26 QR Aluminum 11/8 Black
2	11.4018.008.054	CSU Recon Silver Solo Air Satin Nickel 26 QR Aluminum 11/8 White
2	11.4018.008.055	CSU Recon Silver Solo Air Satin Nickel 26 QR Aluminum 11/8 Diffusion Black
2	11.4018.008.056	CSU Recon Silver Coil Satin Nickel 26 Aluminum 11/8 Black
2	11.4018.008.057	CSU Recon Silver Coil Satin Nickel 26 Aluminum 11/8 White
2	11.4018.008.058	CSU Recon Silver Coil Satin Nickel 26 Aluminum 11/8 Diffusion Black
2	11.4018.008.065	CSU Recon Silver Solo Air Satin Nickel 26 15mm Maxle Aluminum 11/8 Black
2	11.4018.008.066	CSU Recon Silver Solo Air Satin Nickel 26 15mm Maxle Aluminum 11/8 White
2	11.4018.008.067	CSU Recon Silver Solo Air Satin Nickel 26 15mm Maxle Aluminum 11/8 Diffusion Black
2	11.4018.008.071	CSU Recon Silver Solo Air Satin Nickel 29 46 Off-Set Aluminum 11/8 Black
2	11.4018.008.072	CSU Recon Silver Solo Air Satin Nickel 29 46 Off-Set Aluminum 11/8 White
2	11.4018.008.073	CSU Recon Silver Solo Air Satin Nickel 29 46 Off-Set Aluminum 11/8 Diffusion Black
2	11.4018.008.077	CSU Recon Silver Solo Air Satin Nickel 29 51 Off-Set Aluminum 11/8 Black
2	11.4018.008.078	CSU Recon Silver Solo Air Satin Nickel 29 51 Off-Set Aluminum 11/8 White
2	11.4018.008.079	CSU Recon Silver Solo Air Satin Nickel 29 51 Off-Set Aluminum 11/8 Diffusion Black
ns	11.4015.435.060	CSU Coil, Tapered Alum Steerer - 2010 Tora XC/SL, 2011 ReconSilver Solo Air (80-120mm)
ns	11.4018.008.059	CSU Recon Silver Solo Air Satin Nickel 26 Aluminum Taper Black (15mm Maxle only)
ns	11.4018.008.060	CSU Recon Silver Solo Air Satin Nickel 26 Aluminum Taper White (15mm Maxle only)
ns	11.4018.008.061	CSU Recon Silver Solo Air Satin Nickel 26 Aluminum Taper Diffusion Black (15mm Maxle only)
ns	11.4018.008.062	CSU Recon Silver Coil Satin Nickel 26 Aluminum Taper Black
ns	11.4018.008.063	CSU Recon Silver Coil Satin Nickel 26 Aluminum Taper White
ns	11.4018.008.064	CSU Recon Silver Coil Satin Nickel 26 Aluminum Taper Diffusion Black
ns	11.4018.008.068	CSU Recon Silver Solo Air Satin Nickel 26 Aluminum Taper Black (15mm Maxle only)
ns	11.4018.008.069	CSU Recon Silver Solo Air Satin Nickel 26 Aluminum Taper White (15mm Maxle only)
ns	11.4018.008.070	CSU Recon Silver Solo Air Satin Nickel 26 Aluminum Taper Diffusion Black (15mm Maxle only)
ns	11.4018.008.074	CSU Recon Silver Solo Air Satin Nickel 29 46 Off-Set Aluminum Taper Black
ns	11.4018.008.075	CSU Recon Silver Solo Air Satin Nickel 29 46 Off-Set Aluminum Taper White
ns	11.4018.008.076	CSU Recon Silver Solo Air Satin Nickel 29 46 Off-Set Aluminum Taper Diffusion Black
ns	11.4018.008.080	CSU Recon Silver Solo Air Satin Nickel 29 51 Off-Set Aluminum Taper Black
ns	11.4018.008.081	CSU Recon Silver Solo Air Satin Nickel 29 51 Off-Set Aluminum Taper White
ns	11.4018.008.082	CSU Recon Silver Solo Air Satin Nickel 29 51 Off-Set Aluminum Taper Diffusion Black
ns	11.4307.469.000	Brake Post Kit Steel (Qty 2)
3	11.4310.290.000	Dust Seal/Foam Ring Grey 32mm Seal, 10mm Foam Ring-Revelation/Argyle/Sektor/Tora/Recon/XC32
4	11.4310.465.000	Fork Shaft Bolt Kit
5a	11.4310.645.000	Rebound Adjuster Knob/Bolt Kit, Aluminum Red, Short
5b	11.4015.404.010	Rebound Adjuster Knob/Bolt Kit, Aluminum Red Long (use withMaxle lower leg)
5c	11.4015.318.000	Rebound Damper Adjuster Knob Long/Bolt (Aluminum Red) - Tora/Recon/Reba/Revelation 27/29"
5d	11.4015.483.010	Rebound Adjust Knob - 2011 Tora TK/2011 Recon Silver/XC32 29"
5e	11.4015.390.000	HC2 Rebound Adjust Knob Flag NEW (both short and long)
6	11.4308.848.000	PopLoc Lever Left (17mm cable pull, not compatible with 2013+ Motion Control)
6	11.4309.207.000	PopLoc Lever Right (17mm cable pull, not compatible with 2013+ Motion Control)
7	11.4308.849.000	PopLoc Adjust Lever Left (17mm cable pull, not compatible with 2013+ Motion Control)
7	11.4309.208.000	PopLoc Adjust Lever Right (17mm cable pull, not compatible with 2013+ Motion Control)
8	11.4015.240.000	Motion Control Compression Knob Standard Adjust Alum w/ Cir-Clip
9	11.4310.673.000	Compression Adjuster Knob/Remote Spool/Cable Clamp Kit, Turnkey
10	11.4015.461.050	Compression Knob Kit, TurnKey - Recon/Sektor/30 Gold/30 Silver/XC32/XC30 A1-A3
11	11.4018.011.001	Remote Spool/Cable Clamp Kit XC32/Recon Silver (17mm Pull Damper, PopLoc/pre-2013 PushLoc only)
12	11.4015.306.030	2010 Tora XC/SL/Race, 2011 Recon Silver Motion Control Compression Damper Kit, Remote (includes remote spool assembly and cable-stop clamp)
12	11.4018.020.000	Compression Damper, Motion Control Threshold, Remote Adjust10mm - 2013 Recon Silver (includes remote spool and cable clamp; compatible with 2013-2015 PushLoc and OneLoc)
13	11.4018.009.044	Damper Internals Right Turnkey Recon Silver TK 26,29 80-120Crown A1-A3
14	11.4018.009.045	Damper Internals Right Turnkey Recon Silver TK 26,29 80-120Remote 17mm Cable Pull (PopLoc/original PushLoc only) A1-A3
15	11.4015.439.010	Top Cap, Rebound, Non-Adjust - 2010 Tora XC, 2011 Recon Silver
16	11.4015.438.010	Top Cap/Preload Adjuster Knob, Aluminum - 2010 Tora XC/SL, 2011 Recon Silver

RECON SILVER (A1-A3/2011-2015)



No.	Part Number	Description
17	11.4015.437.010	Coil/Shaft Assy, X-Soft Silver 120mm - 2010-2011 Tora/ReconXC Series 32mm (requires Top Cap Kit - Tora or Recon)
17	11.4015.437.020	Coil/Shaft Assy, Soft Yellow 120mm - 2010-2011 Tora/Recon XCSeries 32mm (requires Top Cap Kit - Tora or Recon)
17	11.4015.437.030	Coil/Shaft Assy, Med Red 120mm - 2010-2011 Tora/Recon XC Series 32mm (requires Top Cap Kit - Tora or Recon)
17	11.4015.437.040	Coil/Shaft Assy, Firm Blue 120mm - 2010-2011 Tora/Recon XC Series 32mm (requires Top Cap Kit - Tora or Recon)
17	11.4015.437.050	Coil/Shaft Assy, X-Firm Black 120mm - 2010-2011 Tora/Recon XC Series 32mm (requires Top Cap Kit - Tora or Recon)
17	11.4015.437.060	Coil/Shaft Assy, X-Soft Silver 100mm - 2010-2011 Tora/ReconXC Series 32mm (requires Top Cap Kit - Tora or Recon)
17	11.4015.437.070	Coil/Shaft Assy, Soft Yellow 100mm - 2010-2011 Tora/Recon XCSeries 32mm (requires Top Cap Kit - Tora or Recon)
17	11.4015.437.080	Coil/Shaft Assy, Med Red 100mm - 2010-2011 Tora/Recon XC Series 32mm (requires Top Cap Kit - Tora or Recon)
17	11.4015.437.090	Coil/Shaft Assy, Firm Blue 100mm - 2010-2011 Tora/Recon XC Series 32mm (requires Top Cap Kit - Tora or Recon)
17	11.4015.437.100	Coil/Shaft Assy, X-Firm Black 100mm - 2010-2011 Tora/Recon XC Series 32mm (requires Top Cap Kit - Tora or Recon)
17	11.4015.437.110	Coil/Shaft Assy, X-Soft Silver 80mm - 2010-2011 Tora/Recon XC Series 32mm (requires Top Cap Kit - Tora or Recon)
17	11.4015.437.120	Coil/Shaft Assy, Soft Yellow 80mm - 2010-2011 Tora/Recon XCSeries 32mm (requires Top Cap Kit - Tora or Recon)
17	11.4015.437.130	Coil/Shaft Assy, Med Red 80mm - 2010-2011 Tora/Recon XC Series 32mm (requires Top Cap Kit - Tora or Recon)
17	11.4015.437.140	Coil/Shaft Assy, Firm Blue 80mm - 2010-2011 Tora/Recon XC Series 32mm (requires Top Cap Kit - Tora or Recon)
17	11.4015.437.150	Coil/Shaft Assy, X-Firm Black 80mm - 2010-2011 Tora/Recon XCSeries 32mm (requires Top Cap Kit - Tora or Recon)
18	11.4015.446.000	Top Out Spring - 2010 Tora XC/SL, 2011 Recon Silver
19	11.4309.336.000	Coil Spring Isolator Kit Qty 3
20	11.4015.124.000	Tora/Recon Silver/Argyle Solo Air Top Cap Assy (steel upper tubes)
21	11.4018.012.000	Air Top Cap, XC32/Recon Silver Black (32mm steel upper tubes only)
22	11.4018.010.035	Spring Internals Left Recon Silver 2629 80 Solo Air (includes top cap, solo air spring and air tube, shaft bolt)
22	11.4018.010.036	Spring Internals Left Recon Silver 2629 100 Solo Air (includes top cap, solo air spring and air tube, shaft bolt)
22	11.4018.010.037	Spring Internals Left Recon Silver 2629 110 Solo Air (includes top cap, solo air spring and air tube, shaft bolt)
22	11.4018.010.038	Spring Internals Left Recon Silver 2629 120 Solo Air (includes top cap, solo air spring and air tube, shaft bolt)
23	11.4015.450.000	All-Travel Spacer Kit (not compatible with SID/Reba/Revelation Solo Air Spring)
24	00.4318.002.000	Remote Upgrade Kit - TurnKey 17mm - Includes Remote Compression Damper and PopLoc Remote Right- Recon Silver (2010-2015)
ns	00.4318.005.002	Axle Maxle Lite Front MTB, 15x100, Length 148mm, Thread Length 9mm, Thread Pitch M15x1.50 - SID/Reba/Revelation/Recon/Sektor/XC32
ns	00.4318.005.018	Axle Maxle Stealth Front MTB, 15x100, Length 148mm, Thread Length 9mm, Thread Pitch M15x1.50 (not compatible with RS-1) Standard
ns	11.4318.004.001	Maxle Lite 15mm XC Lever Assembly
ns	11.4315.010.010	Lever/Wedge Kit, Rear Maxle Lite 135/150mm (axle body)/Maxle Lite 15mm (front) - Black Lever 2010-2013
25	00.4315.013.010	Axle Maxle Lite Front MTB 20x110 Length 158mm Thread Length 9mm Thread Pitch M20x2.0 - 32mm Chassis (2011-2016)
26	11.4311.722.020	Lever/Wedge Kit, Maxle Lite 20mm (32mm/35mm/40mm) 2011
27	11.4308.327.002	Schrader Valve Core Qty 2
ns	11.4310.706.000	Tora/Recon Silver Turnkey/Motion Control/Solo Air Service Kit
FS	11.4018.015.000	Service Kit Full - Recon Silver Solo Air 2013-2015 (includes solo air and damper seals and hardware)
ns	00.4315.032.010	AM Fork Service Kit, Basic (includes dust seals, foam rings, o-ring seals) - Recon Silver Coil (2012)
ns	00.4315.032.020	AM Fork Service Kit, Basic (includes dust seals, foam rings, o-ring seals) - Recon Silver Solo Air (2012)
ns	00.4315.032.280	AM Fork Service Kit, Basic (includes dust seals, foam rings, o-ring seals) - Recon Silver (2013-2015)
bulk	11.4015.259.000	Crush Washer 8mm, Qty 50
bulk	11.4015.260.000	Crush Washer Retainer, Qty 50
bulk	11.4310.695.000	Dust Seal 32mm Grey - SID/Revelation/Reba/Argyle/Sektor/Tora/Recon/XC32 QTY 20
bulk	11.4310.698.000	Foam Ring 32mm x 10mm - Revelation/Argyle/Sektor/Tora/Recon/XC32 Qty 20
ns	11.4318.003.409	Decal Kit Recon Silver 26/27.5/29 Silver/Black Lower Leg B1
ns	11.4318.003.410	Decal Kit Recon Silver 26/27.5/29 Silver/White Lower Leg B1
ns	11.4318.003.411	Decal Kit Recon Silver 26/27.5/29 Silver/Diffusion Black Lower Leg B1
ns	11.4309.073.000	Kit Disk Brake Cable Accessory
ns	00.4315.023.010	High-Pressure Fork/Shock Pump (300 psi Max) RockShox
ns	00.4315.022.010	Schrader Valve Removal Tool Rockshox
ns	11.4315.021.020	RockShox Suspension Oil, 5wt, 120ml Bottle - Fork Damper
ns	11.4015.354.010	RockShox Suspension Oil, 5wt, 1 Liter Bottle - Fork Damper
ns	11.4315.021.040	RockShox Suspension Oil, 15wt, 120ml Bottle - Lower Legs
ns	11.4015.354.030	RockShox Suspension Oil, 15wt, 1 Liter Bottle - Lower Legs
ns	00.4318.008.000	Grease SRAM Butter 20ml Syringe, Friction Reducing Grease by Slickoleum - Recommended for X0/Rise XX/Roam 40, 30/Rail 40/Rise 60 B1/ Hub Pawls, RockShox Forks and Reverb Service
ns	00.4318.008.001	Grease SRAM Butter 1oz Container, Friction Reducing Grease by Slickoleum - Recommended for X0/Rise XX/Roam 40, 30/Rail 40/Rise 60 B1/ Hub Pawls, RockShox Forks and Reverb Service

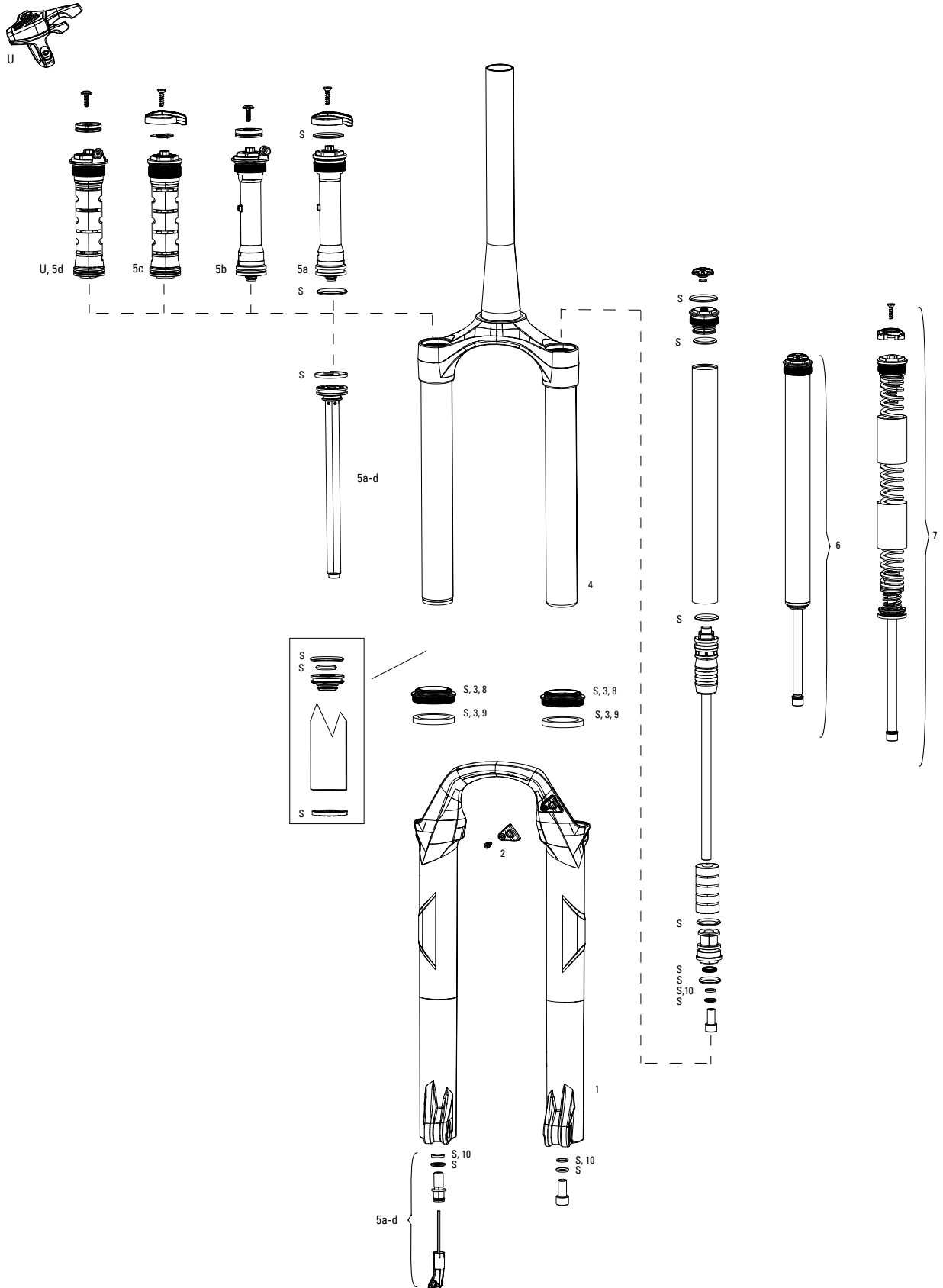


Note:
 1. Full service kits include replaceable o-rings, glide rings, retaining rings, crush washers, crush washer retainers and shaft bolts/nuts. Not all service parts are pictured. All basic service kits include the following replaceable wear items: o-rings, glide rings, dust seals, and foam rings.
 2. Convert from Crown Adjust to Remote Adjust: Remote compression damper requires remote compression adjuster spool, cable clamp and remote lever assembly.

RECON SILVER (B1/2016-2017)



No.	Part Number	Description
1a	11.4015.478.010	Lower Leg, White, Disc, 26", 9mm QR - 2011 Tora TK/XC32/Recon Silver B1 (nodecals)
1a	11.4015.478.020	Lower Leg, Black, Disc, 26", 9mm QR - 2011 Tora TK/XC32/Recon Silver B1 (no decals)
1a	11.4018.006.083	Lower Leg 26Q Disc Diffusion Black - XC32/Recon Silver B1 (decals not included)
1b	11.4015.478.030	Lower Leg, White, Rim/Disc, 26", 9mm QR - 2011 Tora TK/XC32/Recon Silver B1 (no decals)
1b	11.4015.478.040	Lower Leg, Black, Rim/Disc, 26", 9mm QR - 2011 Tora TK/XC32/Recon Silver B1 (no decals)
1b	11.4018.006.082	Lower Leg 26Q Rim/Disc Diffusion Black - XC32/Recon Silver B1 (decals not included)
1a	11.4018.006.199	Lower Leg 27Q Disc Black - XC32/Recon Silver B1 (decals not included)
1a	11.4018.006.200	Lower Leg 27Q Disc White - XC32/Recon Silver B1 (decals not included)
1a	11.4018.006.201	Lower Leg 27Q Disc Diffusion Black - XC32/Recon Silver B1 (decals not included)
1c	11.4018.006.202	Lower Leg 2715 Disc Black - XC32/Recon Silver B1 (decals not included)
1c	11.4018.006.203	Lower Leg 2715 Disc White - XC32/Recon Silver B1 (decals not included)
1c	11.4018.006.204	Lower Leg 2715 Disc Diffusion Black - XC32/Recon Silver B1 (decals not included)
1a	11.4015.478.050	Lower Leg, White, Disc, 29", 9mm QR - 2011 Tora TK/XC32/Recon Silver B1 (no decals)
1a	11.4015.478.060	Lower Leg, Black, Disc, 29", 9mm QR - 2011 Tora TK/XC32/Recon Silver B1 (no decals)
1a	11.4018.006.081	Lower Leg 29Q Disc Diffusion Black - XC32/Recon Silver B1 (decals not included)
1c	11.4018.006.087	Lower Leg 2915 Disc Black- Sektor/Recon Gold/XC32/Recon Silver B1
1c	11.4018.006.088	Lower Leg 2915 Disc White - Sektor/Recon Gold/XC32/Recon Silver B1
1c	11.4018.006.089	Lower Leg 2915 Disc Diffusion Black - Sektor/Recon Gold/XC32/Recon Silver B1
2	11.4018.008.029	CSU XC32/Recon Silver B1 Satin Nickel 26/29 46 Off-Set Aluminum 11/8 Black
2	11.4018.008.030	CSU XC32/Recon Silver B1 Satin Nickel 26/29 46 Off-Set Aluminum 11/8 White
2	11.4018.008.031	CSU XC32/Recon Silver B1 Satin Nickel 26/29 46 Off-Set Aluminum 11/8 Diffusion Black
2	11.4018.008.032	CSU XC32/Recon Silver B1 Satin Nickel 26/29 46 Off-Set Aluminum Taper Black
2	11.4018.008.033	CSU XC32/Recon Silver B1 Satin Nickel 26/29 46 Off-Set Aluminum Taper White
2	11.4018.008.034	CSU XC32/Recon Silver B1 Satin Nickel 26/29 46 Off-Set Aluminum Taper Diffusion Black
2	11.4018.008.395	CSU XC32/Recon Silver B1 Satin Nickel 27 Aluminum Steerer 11/8 Black
2	11.4018.008.396	CSU XC32/Recon Silver B1 Satin Nickel 27 Aluminum Steerer 11/8 White
2	11.4018.008.397	CSU XC32/Recon Silver B1 Satin Nickel 27 Aluminum Steerer 11/8 Diffusion Black
2	11.4018.008.398	CSU XC32/Recon Silver B1 Satin Nickel 27 Aluminum Steerer Taper Black
2	11.4018.008.399	CSU XC32/Recon Silver B1 Satin Nickel 27 Aluminum Steerer Taper White
2	11.4018.008.400	CSU XC32/Recon Silver B1 Satin Nickel 27 Aluminum Steerer Taper Diffusion Black
2	11.4018.008.035	CSU XC32/Recon Silver B1 Satin Nickel 29 51 OffSet Aluminum 11/8 Black
2	11.4018.008.036	CSU XC32/Recon Silver B1 Satin Nickel 29 51 OffSet Aluminum 11/8 White
2	11.4018.008.037	CSU XC32/Recon Silver B1 Satin Nickel 29 51 OffSet Aluminum 11/8 Diffusion Black
2	11.4018.008.041	CSU XC32/Recon Silver B1 Satin Nickel 29 51 OffSet Aluminum Taper Black
2	11.4018.008.042	CSU XC32/Recon Silver B1 Satin Nickel 29 51 OffSet Aluminum Taper White
2	11.4018.008.043	CSU XC32/Recon Silver B1 Satin Nickel 29 51 OffSet Aluminum Taper Diffusion Black
3	11.4307.469.000	Brake Post Kit Steel (Qty 2)
4	11.4310.290.000	Dust Seal/Foam Ring Grey 32mm Seal, 10mm Foam Ring-Revelation/Argyle/Sektor/Tora/Recon/XC32
5	11.4310.465.000	Fork Shaft Bolt Kit
6a	11.4015.390.000	HC2 Rebound Adjust Knob Flag NEW (both short and long)
6b	11.4018.033.001	Rebound Adjuster 27.5 - XC30 A1-A3/XC32/30 Gold/Recon Silver B1
6b	11.4015.483.010	Rebound Adjust Knob - 2011 Tora TK/2011 Recon Silver/XC32 29"
7	11.4308.848.000	PopLoc Lever Left (17mm cable pull, not compatible with 2013+ Motion Control)
7	11.4309.207.000	PopLoc Lever Right (17mm cable pull, not compatible with 2013+ Motion Control)
8	11.4308.849.000	PopLoc Adjust Lever Left (17mm cable pull, not compatible with 2013+ Motion Control)
8	11.4309.208.000	PopLoc Adjust Lever Right (17mm cable pull, not compatible with 2013+ Motion Control)
9	11.4015.461.050	Compression Knob Kit, TurnKey - Recon/Sektor/30 Gold/30 Silver/XC32/XC30 A1-A3
10	11.4018.011.001	Remote Spool/Cable Clamp Kit XC32/Recon Silver (17mm Pull Damper, PopLoc/pre-2013 PushLoc only)
11	11.4018.009.038	Damper Internals Right Turnkey TK 80-120 Crown - Sektor Silver/XC32/Recon Silver B1
12	11.4018.009.039	Damper Internals Right Turnkey TK 80-120 Remote 17mm Cable Pull - Sektor Silver/XC32/Recon Silver B1 (PopLoc/2010-2013 PushLoc only)
13	11.4015.480.010	Top Cap/Preload Adjuster Knob, Aluminum - 2011 Tora TK/Recon Silver B1
14	11.4015.481.010	Spring/Shaft, X-Soft, Silver, 120mm - 2011 Tora TK/Recon Silver B1 (includes spring, shaft, shaft bolt)
14	11.4015.481.020	Spring/Shaft, X-Soft, Silver, 100mm - 2011 Tora TK/Recon Silver B1 (includes spring, shaft, shaft bolt)
14	11.4015.481.030	Spring/Shaft, X-Soft, Silver, 80mm - 2011 Tora TK/Recon Silver B1 (includes spring, shaft, shaft bolt)
14	11.4015.481.040	Spring/Shaft, Soft, Yellow, 120mm - 2011 Tora TK/Recon Silver B1 (includes spring, shaft, shaft bolt)
14	11.4015.481.050	Spring/Shaft, Soft, Yellow, 100mm - 2011 Tora TK/Recon Silver B1 (includes spring, shaft, shaft bolt)
14	11.4015.481.060	Spring/Shaft, Soft, Yellow, 80mm - 2011 Tora TK/Recon Silver B1 (includes spring, shaft, shaft bolt)
14	11.4015.481.070	Spring/Shaft, Medium, Red, 120mm - 2011 Tora TK/Recon Silver B1 (includes spring, shaft, shaft bolt)
14	11.4015.481.080	Spring/Shaft, Medium, Red, 100mm - 2011 Tora TK/Recon Silver B1 (includes spring, shaft, shaft bolt)
14	11.4015.481.090	Spring/Shaft, Medium, Red, 80mm - 2011 Tora TK/Recon Silver B1 (includes spring, shaft, shaft bolt)
14	11.4015.481.100	Spring/Shaft, Firm, Blue, 120mm - 2011 Tora TK/Recon Silver B1 (includes spring, shaft, shaft bolt)
14	11.4015.481.110	Spring/Shaft, Firm, Blue, 100mm - 2011 Tora TK/Recon Silver B1 (includes spring, shaft, shaft bolt)
14	11.4015.481.120	Spring/Shaft, Firm, Blue, 80mm - 2011 Tora TK/Recon Silver B1 (includes spring, shaft, shaft bolt)
14	11.4015.481.130	Spring/Shaft, X-Firm, Black, 120mm - 2011 Tora TK/Recon Silver B1 (includes spring, shaft, shaft bolt)
14	11.4015.481.140	Spring/Shaft, X-Firm, Black, 100mm - 2011 Tora TK/Recon Silver B1 (includes spring, shaft, shaft bolt)
14	11.4015.481.150	Spring/Shaft, X-Firm, Black, 80mm - 2011 Tora TK/Recon Silver B1 (includes spring, shaft, shaft bolt)
15	11.4309.336.000	Coil Spring Isolator Kit Qty 3
16	11.4018.012.000	Air Top Cap, XC32/Recon Silver Black (32mm steel upper tubes only)
17	11.4018.034.000	Travel Spacers Solo Air (used to change travel) - Recon/30 Gold/30 Silver/XC 32/XC30/Paragon
18	11.4018.010.031	Spring Internals Left XC32/Recon Silver B1 262729 80 Solo Air (includes topcap, solo air spring and air tube, shaft bolt)
18	11.4018.010.032	Spring Internals Left XC32/Recon Silver B1 262729 100 Solo Air (includes topcap, solo air spring and air tube, shaft bolt)
18	11.4018.010.033	Spring Internals Left XC32/Recon Silver B1 262729 110 Solo Air (includes topcap, solo air spring and air tube, shaft bolt)
18	11.4018.010.034	Spring Internals Left XC32/Recon Silver B1 262729 120 Solo Air (includes topcap, solo air spring and air tube, shaft bolt)
18	11.4018.010.104	Spring Internals Left Solo Air Sektor Silver A1/Recon Silver B1 26,27,5,29 130 (includes air top cap, solo air spring and shaft bolt)
19	00.4318.002.007	Remote Upgrade Kit - Turnkey 17mm - Includes Remote Compression Damper and PopLoc Remote Right 32mm Sektor Silver/XC32/Recon Silver B1
FS	11.4018.014.000	Service Kit Full - XC32 Solo Air/Recon Silver B1 (includes solo air and damper seals and hardware)
S1	00.4315.032.410	AM Fork Service Kit, Basic (includes dust seals, foam rings, o-ring seals) - XC32 Solo Air A3/Recon Silver B1
S2	11.4015.485.000	Service Kit - Tora TK/XC32/Recon Silver B1
ns	00.4318.005.002	Axle Maxle Lite Front MTB, 15x100, Length 148mm, Thread Length 9mm, Thread Pitch M15x1.50 - SID/Reba/Revelation/Recon/Sektor/XC32
ns	00.4318.005.018	Axle Maxle Stealth Front MTB, 15x100, Length 148mm, Thread Length 9mm, Thread Pitch M15x1.50 (not compatible with RS-1) Standard
ns	11.4318.004.001	Maxle Lite 15mm XC Lever Assembly
ns	11.4318.003.409	Decal Kit Recon Silver 26/27.5/29 Silver/Black Lower Leg B1
ns	11.4318.003.410	Decal Kit Recon Silver 26/27.5/29 Silver/White Lower Leg B1
ns	11.4318.003.411	Decal Kit Recon Silver 26/27.5/29 Silver/Diffusion Black Lower Leg B1
ns	11.4315.021.020	RockShox Suspension Oil, 5wt, 120ml Bottle - Fork Damper
ns	11.4015.354.010	RockShox Suspension Oil, 5wt, 1 Liter Bottle - Fork Damper
ns	11.4315.021.040	RockShox Suspension Oil, 15wt, 120ml Bottle - Lower Legs
ns	11.4015.354.030	RockShox Suspension Oil, 15wt, 1 Liter Bottle - Lower Legs
ns	00.4318.008.000	Grease SRAM Butter 20ml Syringe, Friction Reducing Grease by Slickoleum - Recommended for X0/Rise XX/Room 40, 30/Rail 40/Rise 60 B1/ Hub Pawls, RockShox Forks and Reverb Service
ns	00.4318.008.001	Grease SRAM Butter 1oz Container, Friction Reducing Grease by Slickoleum - Recommended for X0/Rise XX/Room 40, 30/Rail 40/Rise 60 B1/ Hub Pawls, RockShox Forks and Reverb Service



Note:

1. All basic service kits include the following replaceable wear items: o-rings, glide rings, dust seals, and foam rings.
2. Convert from Crown Adjust to Remote Adjust: Remote compression damper requires remote compression adjuster spool, cable clamp and remote lever assembly.
3. Thread Pitch is 0.8mm for Recon Silver C1 and Sektor Silver A2
4. Maximum Tire Diameter: 710mm Maximum Tire Width: 62mm
5. Recon Silver RL B1/TK C1 32mm lower legs use flangless wiper seals.

RECON SILVER RL B1/TK C1 (2017+)



SERVICE KITS/UPGRADE KITS

No.	Part Number	Description
S	00.4315.032.626	AM Fork Service Kit, Basic (includes dust seals, foam rings, o-ring seals) - Recon Silver RL B1 (non boost)
S	00.4315.032.627	AM Fork Service Kit, Basic (includes dust seals, foam rings, o-ring seals) - Recon Silver TK C1 (non boost)
U	00.4318.002.015	Remote Upgrade Kit - OneLoc Right/above, Left/below 10mm MCRL Damper Push to Close (includes remote, comp damper, cable&housing)-ReconSilverB1/(SektorSilver Boost only)(2017)

LOWER LEG

No.	Part Number	Description
1	11.4018.006.285	Lower Leg Recon Silver 27 QR Disc Black (decals not included) - Recon Silver RL B1/TK C1 (2017+)
1	11.4018.006.288	Lower Leg Recon Silver 27 15mm Disc Black (decals not included) - Recon Silver RL B1/TK C1 (2017+)
1	11.4018.006.291	Lower Leg Recon Silver 29 QR Disc Black (decals not included) - Recon Silver RL B1/TK C1 (2017+)
1	11.4018.006.294	Lower Leg Recon Silver 29 15mm Disc Black (decals not included) - Recon Silver RL B1/TK C1 (2017+)
2	11.4015.534.010	Hydraulic Hose Clamp, Lower Leg
3	11.4018.028.009	Dust Seal/Foam Ring Black 32 x 41 Seal, 5mm Foam Ring - Bluto/RS1/32mm Boost Forks Qty 20

CROWN STEER UPPER TUBES (CSU)

No.	Part Number	Description
4	11.4018.008.501	CSU Recon Silver 27 42 Off-Set Aluminum Taper Black (no gradients)(.8 Thread Pitch) - Recon Silver RL B1/TK C1 (2017+)
4	11.4018.008.504	CSU Recon Silver 27 42 Off-Set Aluminum Taper Black (no gradients)(.8 Thread Pitch) - Recon Silver RL B1/TK C1 (2017+)
4	11.4018.008.507	CSU Recon Silver 29 51 Off-Set Aluminum Taper Black (no gradients)(.8 Thread Pitch) - Recon Silver RL B1/TK C1 (2017+)
4	11.4018.008.510	CSU Recon Silver 29 51 Off-Set Aluminum Taper Black (no gradients)(.8 Thread Pitch) - Recon Silver RL B1/TK C1 (2017+)
4	11.4018.008.513	CSU Recon Silver 29 46 Off-Set Aluminum Taper Black (no gradients)(.8 Thread Pitch) - Recon Silver RL B1/TK C1 (2017+)
4	11.4018.008.516	CSU Recon Silver 29 46 Off-Set Aluminum Taper Black (no gradients)(.8 Thread Pitch) - Recon Silver RL B1/TK C1 (2017+)

RIGHT SIDE INTERNALS

No.	Part Number	Description
5a	11.4018.009.085	Damper Internals Right Turnkey (Thread Pitch 0.8mm) 15x110 80-120 Crown - Recon Silver TK C1 (2017+)
5b	11.4018.009.086	Damper Internals Right Turnkey (Thread Pitch 0.8mm) 15x110 80-120 Remote 10mm Cable Pull - Recon Silver TK C1 (2017+)
5c	11.4018.009.087	Damper Internals Right RL (Thread Pitch 0.8mm) 80-120 Crown - Recon Silver RL B1 (2017+)
5d	11.4018.009.088	Damper Internals Right RL (Thread Pitch 0.8mm) 80-120 Remote 10mm Cable Pull - Recon Silver RL B1 (2017+)

LEFT SIDE INTERNALS

No.	Part Number	Description
6	11.4018.010.218	Spring Internals Left Recon Silver 27.5/29 80 Solo Air (includes top cap, solo air spring and air tube, shaft bolt)(Thread Pitch 0.8mm) - Recon Silver RL B1/TK C1 (2017+)
7	11.4018.010.213	Spring Internals Left 27.5/29 100 X-Soft Silver B1 (Includes top cap, coils spring, shaft, and hardware)(Thread Pitch 0.8mm) - Recon Silver RL B1/TK C1 (2017+)
7	11.4018.010.214	Spring Internals Left 27.5/29 100 Soft Yellow B1 (Includes top cap, coils spring, shaft, and hardware)(Thread Pitch 0.8mm) - Recon Silver RL B1/TK C1 (2017+)
7	11.4018.010.215	Spring Internals Left 27.5/29 100 Medium Red B1 (Includes top cap, coils spring, shaft, and hardware)(Thread Pitch 0.8mm) - Recon Silver RL B1/TK C1 (2017+)
7	11.4018.010.216	Spring Internals Left 27.5/29 100 Firm Blue B1 (Includes top cap, coils spring, shaft, and hardware)(Thread Pitch 0.8mm) - Recon Silver RL B1/TK C1 (2017+)
7	11.4018.010.217	Spring Internals Left 27.5/29 100 XFirm Black B1 (Includes top cap, coils spring, shaft, and hardware)(Thread Pitch 0.8mm) - Recon Silver RL B1/TK C1 (2017+)

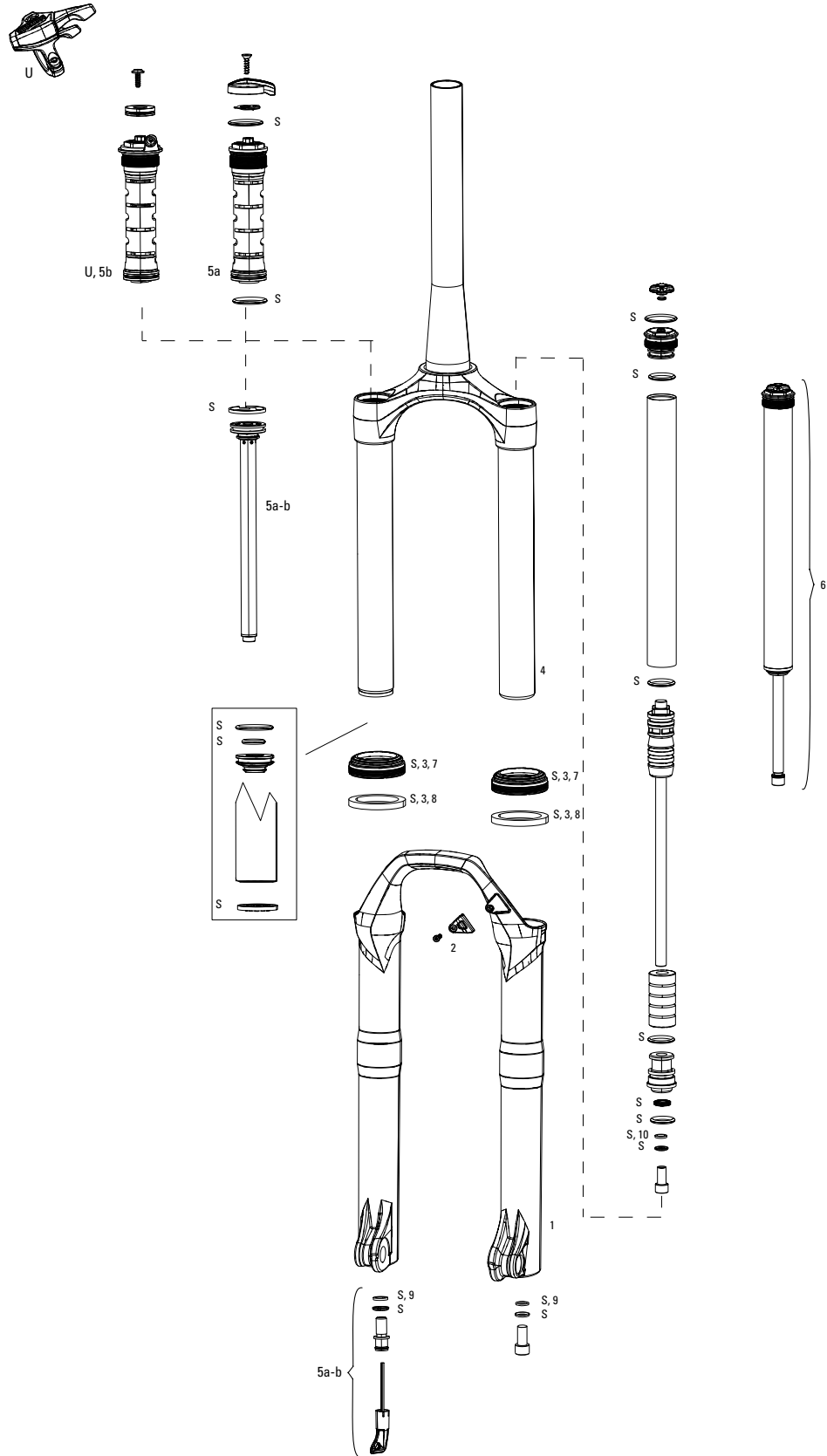
BULK

No.	Part Number	Description
8	11.4018.028.003	Dust Seal 32mm Black - SID/Reba/Revelation A3 Qty 20
9	11.4310.698.000	Foam Ring 32mm x 10mm - Revelation/Argyle/Sektor/Tora/Recon/XC32 Qty 20
10	11.4015.259.000	Crush Washer 8mm, Qty 50

AIR PUMP/FLUID/GREASE/TOOLS

No.	Part Number	Description
ns	00.4315.023.010	High-Pressure Fork/Shock Pump (300 psi Max) RockShox
ns	00.4315.023.040	High-Pressure Fork/Shock Pump (300 psi Max) RockShox DigitalGauge
ns	00.4315.022.010	Schrader Valve Removal Tool Rockshox
ns	11.4315.021.020	RockShox Suspension Oil, 5wt, 120ml Bottle - Fork Damper
ns	11.4015.354.010	RockShox Suspension Oil, 5wt, 1 Liter Bottle - Fork Damper
ns	11.4315.021.040	RockShox Suspension Oil, 15wt, 120ml Bottle - Lower Legs
ns	11.4015.354.030	RockShox Suspension Oil, 15wt, 1 Liter Bottle - Lower Legs
ns	00.4318.008.000	Grease SRAM Butter 20ml Syringe, Friction Reducing Grease bySlickoleum - Recommended for X0/Rise XX/Roam 40, 30/Rail 40/Rise 60 B1/ Hub Pawls, RockShox Forks and Reverb Service
ns	00.4318.008.001	Grease SRAM Butter 1oz Container, Friction Reducing Grease by Slickoleum - Recommended for X0/Rise XX/Roam 40, 30/Rail 40/Rise 60 B1/ Hub Pawls, RockShox Forks and Reverb Service

RECON SILVER RL (B1) BOOST COMPATIBLE 15X110



Note:

1. All basic service kits include the following replaceable wear items: o-rings, glide rings, dust seals, and foam rings.
2. Convert from Crown Adjust to Remote Adjust: Remote compression damper requires remote compression adjuster spool, cable clamp and remote lever assembly.
3. Thread Pitch is 0.8mm for Recon Silver C1 and Sektor Silver A2
4. Maximum Tire Diameter: 712mm Maximum Tire Width: 81mm
5. 32mm Boost lower legs use flangless wiper seals.

RECON SILVER RL (B1) BOOST COMPATIBLE 15X110 (2017)



SPARES

No.	Part Number	Description
S	00.4315.032.628	AM Fork Service Kit, Basic (includes dust seals, foam rings, o-ring seals) - Recon Silver RL B1 (boost)
U	00.4318.002.015	Remote Upgrade Kit - OneLoc Right/above, Left/below 10mm MCRL Damper Push to Close (includes remote, comp damper, cable&housing)-ReconSilverB1/(SektorSilver Boost only)(2017)

LOWER LEG

No.	Part Number	Description
1	11.4018.006.297	Lower Leg Recon/Sektor Silver 27 Boost Compatible 15x110 Disc Black (decals not included) - Recon Silver RL B1/TK C1/ Sektor Silver RL A2 (2017+)
2	11.4015.534.011	Hydraulic Hose Guide, Lower Leg - SID RLC A1/SID XX/RL B1 (2017+)
3	11.4018.028.009	Dust Seal/Foam Ring Black 32 x 41 Seal, 5mm Foam Ring - Bluto/RS1/32mm Boost Forks Qty 20

CROWN STEER UPPER TUBES (CSU)

No.	Part Number	Description
4	11.4018.008.519	CSU Recon/Sektor Silver 27 Boost Compatible 42 Off-Set Aluminum Taper Black (no gradients)(.8 Thread Pitch) - Recon Silver RL B1/ Sektor Silver RL A2 (2017+)
4	11.4018.008.522	CSU Recon/Sektor Silver 27 Boost Compatible 46 Off-Set Aluminum Taper Black (no gradients)(.8 Thread Pitch) - Recon Silver RL B1/ Sektor Silver RL A2 (2017+)

RIGHT SIDE INTERNALS

No.	Part Number	Description
5a	11.4018.009.087	Damper Internals Right RL (Thread Pitch 0.8mm) 80-120 Crown - Recon Silver RL B1 (2017+)
5b	11.4018.009.088	Damper Internals Right RL (Thread Pitch 0.8mm) 80-120 Remote 10mm Cable Pull - Recon Silver RL B1 (2017+)

LEFT SIDE INTERNALS

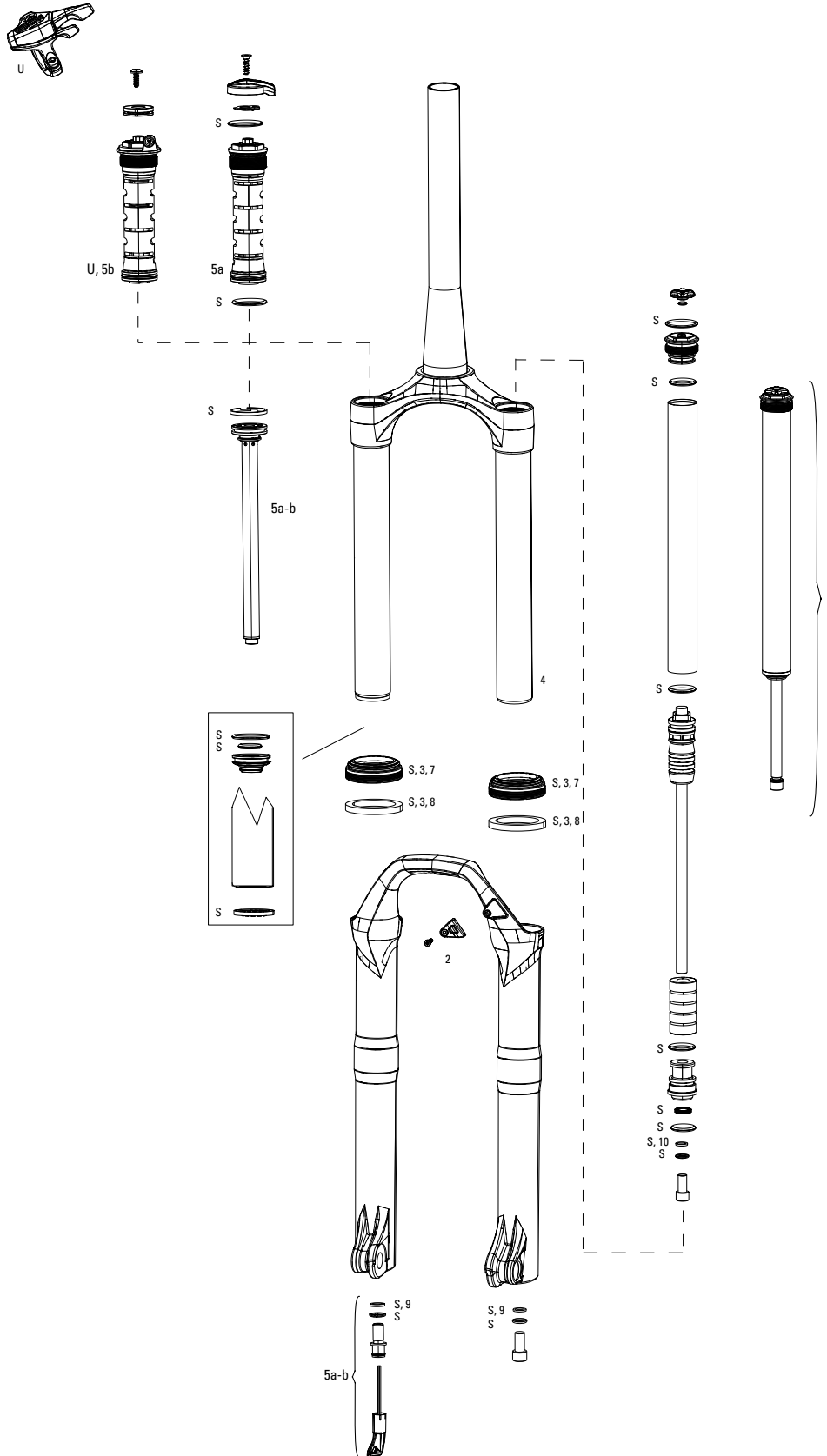
No.	Part Number	Description
6	11.4018.010.221	Spring Internals Left Recon Silver 27.5/29 80-120 Solo Air (includes top cap, solo air spring and air tube, shaft bolt)(Thread Pitch 0.8mm) - Recon Silver RL B1/TK C1 Boost Compatible 15x110 (2017+)

BULK

No.	Part Number	Description
7	11.4018.028.010	Dust Seal 32 X 41 Black - Bluto/RS1/32mm Boost Forks Qty 20
8	11.4018.028.015	Foam Ring 32mm x4mm Qty 20 - SID RLC A1/SID XX/RL B1 (2017+)
9	11.4015.259.000	Crush Washer 8mm, Qty 50

AIR PUMP/FLUID/GREASE/TOOLS

No.	Part Number	Description
ns	00.4315.023.010	High-Pressure Fork/Shock Pump (300 psi Max) RockShox
ns	00.4315.023.040	High-Pressure Fork/Shock Pump (300 psi Max) RockShox DigitalGauge
ns	00.4315.022.010	Schrader Valve Removal Tool Rockshox
ns	11.4315.021.020	RockShox Suspension Oil, 5wt, 120ml Bottle - Fork Damper
ns	11.4015.354.010	RockShox Suspension Oil, 5wt, 1 Liter Bottle - Fork Damper
ns	11.4315.021.040	RockShox Suspension Oil, 15wt, 120ml Bottle - Lower Legs
ns	11.4015.354.030	RockShox Suspension Oil, 15wt, 1 Liter Bottle - Lower Legs
ns	00.4318.008.000	Grease SRAM Butter 20ml Syringe, Friction Reducing Grease by Slickoleum - Recommended for X0/Rise XX/Roam 40, 30/Rail 40/Rise 60 B1/ Hub Pawls, RockShox Forks and Reverb Service
ns	00.4318.008.001	Grease SRAM Butter 1oz Container, Friction Reducing Grease by Slickoleum - Recommended for X0/Rise XX/Roam 40, 30/Rail 40/Rise 60 B1/ Hub Pawls, RockShox Forks and Reverb Service



Note:

1. All basic service kits include the following replaceable wear items: o-rings, glide rings, dust seals, and foam rings.
2. Convert from Crown Adjust to Remote Adjust: Remote compression damper requires remote compression adjuster spool, cable clamp and remote lever assembly.
3. Thread Pitch is 0.8mm for Recon Silver C1 and Sektor Silver A2
4. Maximum Tire Diameter: 760mm Maximum Tire Width: 81mm
5. 32mm Boost lower legs use flangless wiper seals.



SERVICE KITS/UPGRADE KITS

No.	Part Number	Description
S	00.4315.032.628	AM Fork Service Kit, Basic (includes dust seals, foam rings, o-ring seals) - Recon Silver RL B1 (boost)
U	00.4318.002.015	Remote Upgrade Kit - OneLoc Right/above, Left/below 10mm MCRL Damper Push to Close (includes remote, comp damper, cable&housing)-ReconSilverB1/ (SektorSilver Boost only)(2017)

LOWER LEG

No.	Part Number	Description
1	11.4018.006.254	Lower Leg Revelation 2927+ Boost Compatible 15X110 Disc Black (decals not included)
2	11.4015.534.011	Hydraulic Hose Guide, Lower Leg - SID RLC A1/SID XX/RL B1 (2017+)
3	11.4018.028.001	Dust Seal/Foam Ring Black 32mm Seal, 5mm Foam Ring - SID A1-A3 /Reba A1-A4

CROWN STEER UPPER TUBES (CSU)

No.	Part Number	Description
4	11.4018.008.522	CSU Recon/Sektor Silver 27 Boost Compatible 46 Off-Set Aluminum Taper Black (no gradients)(.8 Thread Pitch) - Recon Silver RL B1/TK C1/ Sektor Silver RL A2 (2017+)

RIGHT SIDE INTERNALS

No.	Part Number	Description
5a	11.4018.009.087	Damper Internals Right RL (Thread Pitch 0.8mm) 80-120 Crown - Recon Silver RL B1 (2017+)
5b	11.4018.009.088	Damper Internals Right RL (Thread Pitch 0.8mm) 80-120 Remote 10mm Cable Pull - Recon Silver RL B1 (2017+)

LEFT SIDE INTERNALS

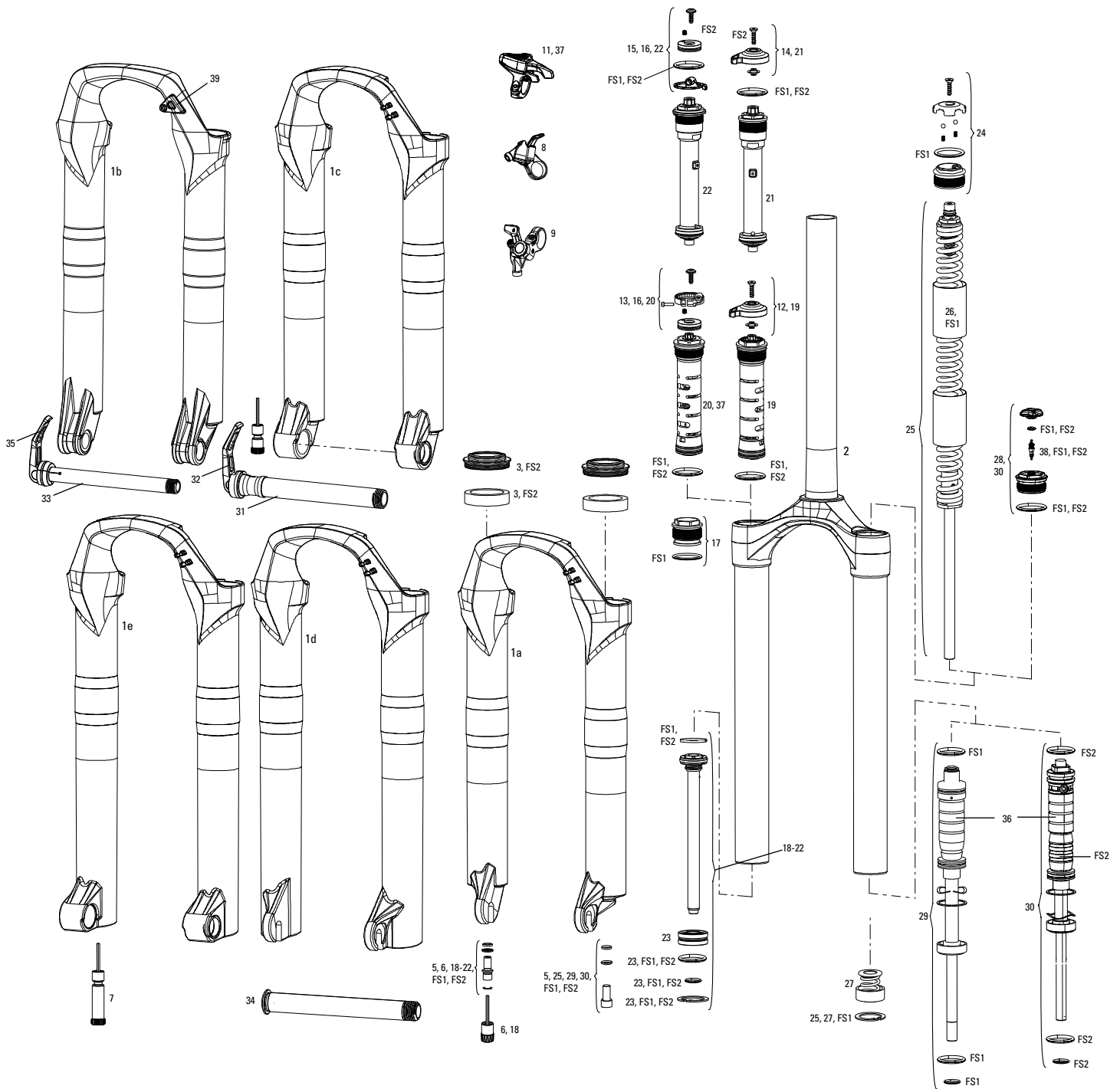
No.	Part Number	Description
6	11.4018.010.221	Spring Internals Left Recon Silver 27.5/29 80-120 Solo Air (includes top cap, solo air spring and air tube, shaft bolt)(Thread Pitch 0.8mm) - Recon Silver RL B1/TK C1 Boost Compatible 15x110 (2017+)

BULK

No.	Part Number	Description
7	11.4018.028.010	Dust Seal 32 X 41 Black - Bluto/RS1/32mm Boost Forks Qty 20
8	11.4018.028.015	Foam Ring 32mm x4mm Qty 20 - SID RLC A1/SID XX/RL B1 (2017+)
9	11.4015.259.000	Crush Washer 8mm, Qty 50

AIR PUMP/FLUID/GREASE/TOOLS

No.	Part Number	Description
ns	00.4315.023.010	High-Pressure Fork/Shock Pump (300 psi Max) RockShox
ns	00.4315.023.040	High-Pressure Fork/Shock Pump (300 psi Max) RockShox DigitalGauge
ns	00.4315.022.010	Schrader Valve Removal Tool Rockshox
ns	11.4315.021.020	RockShox Suspension Oil, 5wt, 120ml Bottle - Fork Damper
ns	11.4015.354.010	RockShox Suspension Oil, 5wt, 1 Liter Bottle - Fork Damper
ns	11.4315.021.040	RockShox Suspension Oil, 15wt, 120ml Bottle - Lower Legs
ns	11.4015.354.030	RockShox Suspension Oil, 15wt, 1 Liter Bottle - Lower Legs
ns	00.4318.008.000	Grease SRAM Butter 20ml Syringe, Friction Reducing Grease bySlickoleum - Recommended for X0/Rise XX/Roam 40, 30/Rail 40/Rise 60 B1/ Hub Pawls, RockShox Forks and Reverb Service
ns	00.4318.008.001	Grease SRAM Butter 1oz Container, Friction Reducing Grease by Slickoleum - Recommended for X0/Rise XX/Roam 40, 30/Rail 40/Rise 60 B1/ Hub Pawls, RockShox Forks and Reverb Service



Note:

1. Full service kits include replaceable o-rings, glide rings, retaining rings, crush washers, crush washer retainers and shaft bolts/nuts. All air service kits include replacement schrader valve cores. Not all service parts are pictured. All basic service kits include the following replaceable wear items: o-rings, glide rings, dust seals, and foam rings.
2. Convert from Crown Adjust to Remote Adjust. Remote compression damper requires remote compression adjuster spool, and remote lever assembly.
3. 2013+ Recon Gold compatible with 10mm cable pull PushLoc or OneLoc

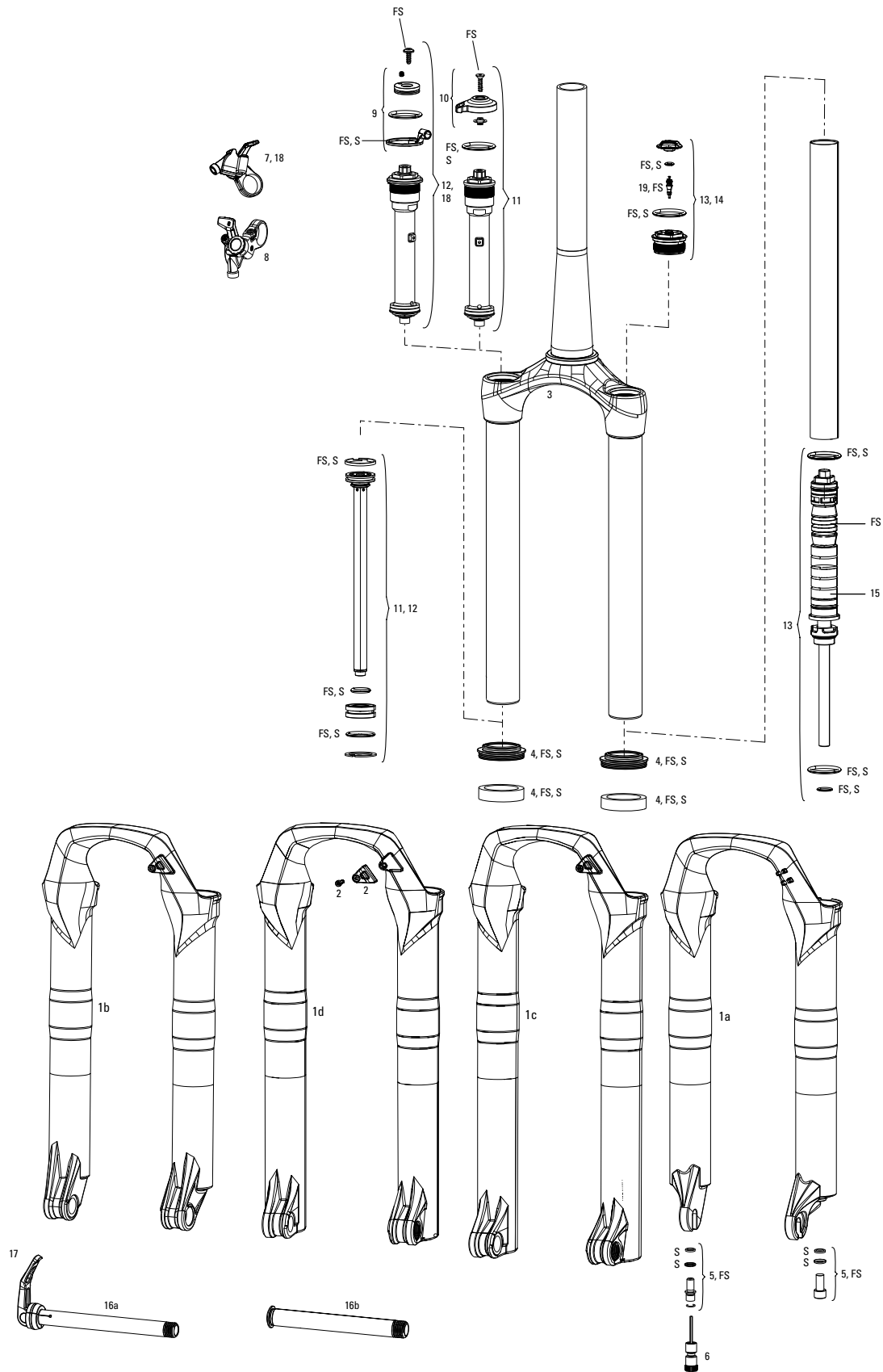
RECON GOLD (A1-A3/2011-2017)



No.	Part Number	Description
1a	11.4018.006.090	Lower Leg Recon 26Q Disc Black
1a	11.4018.006.091	Lower Leg Recon 26Q Disc White
1a	11.4018.006.092	Lower Leg Recon 26Q Disc Diffusion Black
ns	11.4015.310.140	2010 Tora/Recon (XC/SL/Race), 2011 Recon (Silver/Gold) LowerLeg 26" Black Rim/Disc 80mm-120mm
ns	11.4015.310.120	2010 Tora/Recon (XC/SL/Race), 2011 Recon (Silver/Gold) LowerLeg 26" White Rim/Disc 80mm-120mm
1b	11.4015.395.060	Lower Leg 26" Maxle Lite 15mm, Black 2010-2016 Revelation/2011-2016 Sektor/2012-2016 Recon Gold (no decals)
1b	11.4015.395.050	Lower Leg 26" Maxle Lite 15mm, White 2010-2016 Revelation/2011-2016 Sektor/2012-2016 Recon Gold (no decals)
1b	11.4015.395.070	Lower Leg 26" Maxle Lite 15mm, Diffusion Black 2010-2016 Revelation/2011-2016 Sektor/2012-2016 Recon Gold (no decals)
1c	11.4015.310.060	2009-2011 Reba, 2010 Tora/Recon XC/SL/Race, 2011 Recon (Silver/Gold) Lower Leg 26" 20mm Maxle White Disc 80mm-120mm
1c	11.4015.310.080	2009-2011 Reba, 2010 Tora/Recon XC/SL/Race, 2011 Recon (Silver/Gold) Lower Leg 26" 20mm Maxle Black Disc 80mm-120mm
1d	11.4018.006.205	Lower Leg Recon Gold 27.5 Q Disc Black (decals not included)A1
1d	11.4018.006.206	Lower Leg Recon Gold 27.5 Q Disc White (decals not included)A1
1d	11.4018.006.207	Lower Leg Recon Gold 27.5 Q Disc Diffusion Black (decals not included) A1
1e	11.4018.006.208	Lower Leg Recon Gold 27.5 Maxle 15 Disc Black (decals not included) A1
1e	11.4018.006.209	Lower Leg Recon Gold 27.5 Maxle 15 Disc White (decals not included) A1
1e	11.4018.006.210	Lower Leg Recon Gold 27.5 Maxle 15 Disc Diffusion Black (decals not included) A1
1d	11.4018.006.093	Lower Leg Recon 29Q Disc Black
1d	11.4018.006.094	Lower Leg Recon 29Q Disc White
1d	11.4018.006.095	Lower Leg Recon 29Q Disc Diffusion Black
1e	11.4018.006.087	Lower Leg 2915 Disc Black- Sektor/Recon Gold/XC32/Recon Silver B1
1e	11.4018.006.088	Lower Leg 2915 Disc White - Sektor/Recon Gold/XC32/Recon Silver B1
1e	11.4018.006.089	Lower Leg 2915 Disc Diffusion Black - Sektor/Recon Gold/XC32/Recon Silver B1
1e	11.4018.006.084	Lower Leg Sektor/Recon 2920 Disc Black
1e	11.4018.006.085	Lower Leg Sektor/Recon 2920 Disc White
1e	11.4018.006.086	Lower Leg Sektor/Recon 2920 Disc Diffusion Black
2	11.4015.524.010	CSU Black Aluminum Steerer 320mm 1 1/8 - 2011 Recon Gold
2	11.4015.524.020	CSU White Aluminum Steerer 320mm 1 1/8 - 2011 Recon Gold
2	11.4018.008.089	CSU Recon Gold Coil/Solo Air 26Q Aluminum 11/8 Diffusion Black
2	11.4018.008.090	CSU Recon Gold Coil/Solo Air 26Q Aluminum 11/8 Black
2	11.4015.524.030	CSU Recon Gold Coil/Solo Air 26Q Aluminum 11/8 White
2	11.4018.008.083	CSU Recon Gold Coil/Solo Air 2615 Aluminum 11/8 Black
2	11.4018.008.084	CSU Recon Gold Coil/Solo Air 2615 Aluminum 11/8 Diffusion Black
2	11.4018.008.085	CSU Recon Gold Coil/Solo Air 2615 Aluminum 11/8 White
2	11.4018.008.338	CSU Recon Gold Solo Air 27.5 46 Off-Set Aluminum Black A1
2	11.4018.008.339	CSU Recon Gold Solo Air 27.5 46 Off-Set Aluminum White A1
2	11.4018.008.340	CSU Recon Gold Solo Air 27.5 46 Off-Set Aluminum Diffusion Black A1
2	11.4018.008.341	CSU Recon Gold Solo Air 27.5 46 Off-Set Aluminum Taper BlackA1
2	11.4018.008.342	CSU Recon Gold Solo Air 27.5 46 Off-Set Aluminum Taper WhiteA1
2	11.4018.008.343	CSU Recon Gold Solo Air 27.5 46 Off-Set Aluminum Taper Diffusion Black A1
2	11.4018.008.086	CSU Recon Gold Solo Air 29 46 Off-Set Aluminum 11/8 White
2	11.4018.008.087	CSU Recon Gold Solo Air 29 46 Off-Set Aluminum 11/8 Black
2	11.4018.008.088	CSU Recon Gold Solo Air 29 46 Off-Set Aluminum 11/8 Diffusion Black
2	11.4018.008.099	CSU Recon Gold Solo Air 29 51 OffSet Aluminum 11/8 Black 100Max
2	11.4018.008.100	CSU Recon Gold Solo Air 29 51 OffSet Aluminum 11/8 White 100Max
2	11.4018.008.101	CSU Recon Gold Solo Air 29 51 OffSet Aluminum 11/8 DiffusionBlack 100 Max
2	11.4018.008.401	CSU Recon Gold Solo Air 29 51 Off-Set Aluminum Taper Black B1
2	11.4018.008.402	CSU Recon Gold Solo Air 29 51 Off-Set Aluminum Taper White B1
2	11.4018.008.403	CSU Recon Gold Solo Air 29 51 Off-Set Aluminum Taper Diffusion Black B1
2	11.4015.524.060	CSU Black 1.5 Steerer - 2011 Recon Gold
2	11.4015.524.070	CSU White 1.5 Steerer - 2011 Recon Gold
2	11.4015.524.050	CSU Recon Gold Solo Air 26Q Aluminum Taper White
2	11.4018.008.091	CSU Recon Gold Coil/Solo Air 26Q Aluminum Taper Black
2	11.4018.008.092	CSU Recon Gold Coil/Solo Air 26Q Aluminum Taper Diffusion Black
2	11.4018.008.093	CSU Recon Gold Solo Air 29 46 Off-Set Aluminum Taper Black 100 Max
2	11.4018.008.094	CSU Recon Gold Solo Air 29 46 Off-Set Aluminum Taper White 100 Max
2	11.4018.008.095	CSU Recon Gold Solo Air 29 46 Off-Set Aluminum Taper Diffusion Black 100 Max
2	11.4018.008.102	CSU Recon Gold Solo Air 29 46 Off-Set Aluminum Taper White
2	11.4018.008.103	CSU Recon Gold Solo Air 29 46 Off-Set Aluminum Taper Black
2	11.4018.008.104	CSU Recon Gold Solo Air 29 46 Off-Set Aluminum Taper Diffusion Black
2	11.4018.008.105	CSU Recon Gold/Sektor Coil/Solo Air 2615 Aluminum Taper White
2	11.4018.008.106	CSU Recon Gold/Sektor Coil/Solo Air 2615 Aluminum Taper Black
2	11.4018.008.107	CSU Recon Gold/Sektor Coil/Solo Air 2615 Aluminum Taper Diffusion Black
ns	11.4307.469.000	Brake Post Kit Steel (Qty 2)
3	11.4310.290.000	Dust Seal/Foam Ring Grey 32mm Seal, 10mm Foam Ring-Revelation/Argyle/Sektor/Tora/Recon/XC32
5	11.4310.465.000	Fork Shaft Bolt Kit
6	11.4310.645.000	Rebound Adjuster Knob/Bolt Kit, Aluminum Red, Short
6	11.4015.404.021	Rebound Adjuster Knob/Bolt Kit - Recon Gold Turnkey 27.5 A1
6	11.4015.404.022	Rebound Adjuster Knob/Bolt Kit - Recon Gold RL 27.5 A1
7	11.4015.404.010	Rebound Adjuster Knob/Bolt Kit, Aluminum Red Long (use withMaxle lower leg)
8	11.4308.848.000	PopLoc Lever Left (17mm cable pull, not compatible with 2013+ Motion Control)
8	11.4309.207.000	PopLoc Lever Right (17mm cable pull, not compatible with 2013+ Motion Control)
9	11.4308.849.000	PopLoc Adjust Lever Left (17mm cable pull, not compatible with 2013+ Motion Control)
9	11.4309.208.000	PopLoc Adjust Lever Right (17mm cable pull, not compatible with 2013+ Motion Control)
11	00.4318.002.009	Remote - OneLoc Left/above, Right/below 10mm, Remote Only (includes remote, cable&housing)-SID,Reba,Revelation,Bluto,Sektor,ReconGold(2013-2017)
11	00.4318.002.010	Remote - OneLoc Right/above, Left/below 10mm, Remote Only (includes remote, cable&housing)-SID,Reba,Revelation,Bluto,Sektor,ReconGold(2013-2017)
12	11.4015.461.010	Compression Damper Adjuster Knob Kit (Motion Control Crown Adjust) w/ screw - Reba RL (2012-2016)/Recon, Sektor Gold (2011-2016)
13	11.4015.461.020	Compression Damper Remote Spool/Clamp Kit (Motion Control Remote) w/screw Reba RL (2012-2016)/Recon, Sektor Gold (2011-2016)
14	11.4015.461.050	Compression Knob Kit, TurnKey - Recon/Sektor/30 Gold/30 Silver/XC32/XC30 A1-A3
15	11.4015.461.040	Compression Damper Remote Spool/Clamp Kit (TurnKey Remote) -2010 Recon XC, 2011 Recon Gold, 2011 Sektor w/ screw
16	11.4018.011.002	Remote Spool/Cable Clamp Kit Recon Gold TKRL/Sektor TKRL/Reba RL (10mm Pull 2013+ Damper/PushLoc and OneLoc) 2013-2016
17	11.4310.172.000	Recon Reb Non-Adj Top Cap
18	11.4015.443.010	Rebound Damper & Seal Head (80-120mm) - 2010 Recon XC/SL/Race, 2011 Recon Gold (includes rebound adjuster knob)
19	11.4018.009.046	Damper Internals Right Motion Control Sektor Gold/Recon GoldRL Solo Air 26,27.5,29 80-150 Crown A1-B1
20	11.4018.009.047	Damper Internals Right Motion Control Sektor Gold/Recon GoldRL Solo Air 26,27.5,29 80-150 Remote 10mm Cable Pull (2013-2015 PushLoc and OneLoc) A2-B1
21	11.4018.009.048	Damper Internals Right Turnkey Sektor Gold/Recon Gold TK Solo Air 26,27.5,29 80-150 Crown A1-B1
22	11.4018.009.049	Damper Internals Right Turnkey Sektor Gold/Recon Gold TK Solo Air 26,27.5,29 80-150 Remote 10mm Cable Pull (2013-2015 PushLoc and OneLoc) A2-B1
23	11.4015.353.000	Seal Head Assembly (Rebound Damper, Motion Control) - Reba 2008, Revelation 2006-2009, Recon 2006-2010, Recon Gold 2011,Pike 2005-2010
24	11.4015.438.020	Top Cap/Preload Adjuster Knob, Aluminum - 2010 Recon XC/SL/Race, 2011 Recon Gold



No.	Part Number	Description
25	11.4015.437.010	Coil/Shaft Assy, X-Soft Silver 120mm - 2010-2011 Tora/ReconXC Series 32mm (requires Top Cap Kit - Tora or Recon)
25	11.4015.437.020	Coil/Shaft Assy, Soft Yellow 120mm - 2010-2011 Tora/Recon XCSeries 32mm (requires Top Cap Kit - Tora or Recon)
25	11.4015.437.030	Coil/Shaft Assy, Med Red 120mm - 2010-2011 Tora/Recon XC Series 32mm (requires Top Cap Kit - Tora or Recon)
25	11.4015.437.040	Coil/Shaft Assy, Firm Blue 120mm - 2010-2011 Tora/Recon XC Series 32mm (requires Top Cap Kit - Tora or Recon)
25	11.4015.437.050	Coil/Shaft Assy, X-Firm Black 120mm - 2010-2011 Tora/Recon XC Series 32mm (requires Top Cap Kit - Tora or Recon)
25	11.4015.437.060	Coil/Shaft Assy, X-Soft Silver 100mm - 2010-2011 Tora/ReconXC Series 32mm (requires Top Cap Kit - Tora or Recon)
25	11.4015.437.070	Coil/Shaft Assy, Soft Yellow 100mm - 2010-2011 Tora/Recon XCSeries 32mm (requires Top Cap Kit - Tora or Recon)
25	11.4015.437.080	Coil/Shaft Assy, Med Red 100mm - 2010-2011 Tora/Recon XC Series 32mm (requires Top Cap Kit - Tora or Recon)
25	11.4015.437.090	Coil/Shaft Assy, Firm Blue 100mm - 2010-2011 Tora/Recon XC Series 32mm (requires Top Cap Kit - Tora or Recon)
25	11.4015.437.100	Coil/Shaft Assy, X-Firm Black 100mm - 2010-2011 Tora/Recon XC Series 32mm (requires Top Cap Kit - Tora or Recon)
25	11.4015.437.110	Coil/Shaft Assy, X-Soft Silver 80mm - 2010-2011 Tora/Recon XC Series 32mm (requires Top Cap Kit - Tora or Recon)
25	11.4015.437.120	Coil/Shaft Assy, Soft Yellow 80mm - 2010-2011 Tora/Recon XCSeries 32mm (requires Top Cap Kit - Tora or Recon)
25	11.4015.437.130	Coil/Shaft Assy, Med Red 80mm - 2010-2011 Tora/Recon XC Series 32mm (requires Top Cap Kit - Tora or Recon)
25	11.4015.437.140	Coil/Shaft Assy, Firm Blue 80mm - 2010-2011 Tora/Recon XC Series 32mm (requires Top Cap Kit - Tora or Recon)
25	11.4015.437.150	Coil/Shaft Assy, X-Firm Black 80mm - 2010-2011 Tora/Recon XCSeries 32mm (requires Top Cap Kit - Tora or Recon)
26	11.4309.336.000	Coil Spring Isolator Kit Qty 3
27	11.4309.047.000	Pike/Recon U-Turn Spring Base Plate Assy
28	11.4018.012.001	Air Top Cap, Recon Gold/Sektor Black (32mm aluminum upper tubes only)
29	11.4015.444.010	Air Spring Assy, Solo Air - 2010 Recon XC/SL/Race, 2011 Recon Gold
30	11.4018.010.039	Spring Internals Left Recon Gold 262729 80 Solo Air (includes top cap, solo air spring, shaft bolt)
30	11.4018.010.040	Spring Internals Left Recon Gold 262729 100 Solo Air (includes top cap, solo air spring, shaft bolt)
30	11.4018.010.041	Spring Internals Left Recon Gold 262729 110 Solo Air (includes top cap, solo air spring, shaft bolt)
30	11.4018.010.042	Spring Internals Left Recon Gold 262729 120 Solo Air (includes top cap, solo air spring, shaft bolt)
31	00.4315.013.010	Axle Maxle Lite Front MTB 20x110 Length 158mm Thread Length9mm Thread Pitch M20x2.0 - 32mm Chassis (2011-2016)
32	11.4311.722.020	Lever/Wedge Kit, Maxle Lite 20mm (32mm/35mm/40mm) 2011
33	00.4318.005.002	Axle Maxle Lite Front MTB, 15x100, Length 148mm, Thread Length 9mm, Thread Pitch M15x1.50 - SID/Reba/Revelation/Recon/Sektor/XC32
34	00.4318.005.018	Axle Maxle Stealth Front MTB, 15x100, Length 148mm, Thread Length 9mm, Thread Pitch M15x1.50 (not compatible with RS-1) Standard
ns	11.4318.004.001	Maxle Lite 15mm XC Lever Assembly
35	11.4315.010.010	Lever/Wedge Kit, Rear Maxle Lite 135/150mm (axle body)/MaxleLite 15mm (front) - Black Lever 2010-2013
36	11.4015.450.000	All-Travel Spacer Kit (not compatible with SID/Reba/Revelation Solo Air Spring)
37	00.4318.002.011	Remote Upgrade Kit - OneLoc Right/above, Left/below 10mm MCRL Damper Push to Close (includes remote, comp damper, cable&housing)-ReconGold/SektorGold(2013 -2016)
38	11.4308.327.002	Schrader Valve Core Qty 2
39	11.4015.534.010	Hydraulic Hose Clamp, Lower Leg
FS1	11.4015.445.000	Service Kit - 2010 Recon, 2011 Recon Gold
FS2	11.4018.016.000	Service Kit Full - Recon Gold Solo Air 2013-2016 (includes solo air and damper seals and hardware)
ns	00.4315.032.030	AM Fork Service Kit, Basic (includes dust seals, foam rings,o-ring seals) - Recon Gold Coil (2012-2016)
ns	00.4315.032.040	AM Fork Service Kit, Basic (includes dust seals, foam rings,o-ring seals) - Recon Gold Solo Air (2012-2016)
ns	00.4315.032.460	AM Fork Service Kit, Basic (includes dust seals, foam rings,o-ring seals) - Recon Gold A3(2013-2016)
bulk	11.4015.259.000	Crush Washer 8mm, Qty 50
bulk	11.4015.260.000	Crush Washer Retainer, Qty 50
bulk	11.4310.695.000	Dust Seal 32mm Grey - SID/Revelation/Reba/Argyle/Sektor/Tora/Recon/XC32 QTY 20
bulk	11.4310.698.000	Foam Ring 32mm x 10mm - Revelation/Argyle/Sektor/Tora/Recon/XC32 Qty 20
bulk	11.4310.697.000	Foam Ring 32mm x 3.5mm - SID/Reba/Pike 2005-2006 Qty 20
ns	11.4318.003.412	Decal Kit Recon Gold 26/27.5/29 Silver/Black Lower Leg A1
ns	11.4318.003.413	Decal Kit Recon Gold 26/27.5/29 Silver/White Lower Leg A1
ns	11.4318.003.414	Decal Kit Recon Gold 26/27.5/29 Silver/Diffusion Black LowerLeg A1
ns	11.4309.073.000	Kit Disk Brake Cable Accessory
ns	00.4315.023.010	High-Pressure Fork/Shock Pump (300 psi Max) RockShox
ns	00.4315.022.010	Schrader Valve Removal Tool Rockshox
ns	11.4315.021.020	RockShox Suspension Oil, 5wt, 120ml Bottle - Fork Damper
ns	11.4015.354.010	RockShox Suspension Oil, 5wt, 1 Liter Bottle - Fork Damper
ns	11.4315.021.040	RockShox Suspension Oil, 15wt, 120ml Bottle - Lower Legs
ns	11.4015.354.030	RockShox Suspension Oil, 15wt, 1 Liter Bottle - Lower Legs
ns	00.4318.008.000	Grease SRAM Butter 20ml Syringe, Friction Reducing Grease bySlickoleum - Recommended for X0/Rise XX/Roam 40, 30/Rail 40/Rise 60 B1/ Hub Pawls, RockShox Forks and Reverb Service
ns	00.4318.008.001	Grease SRAM Butter 1oz Container, Friction Reducing Grease by Slickoleum - Recommended for X0/Rise XX/Roam 40, 30/Rail 40/Rise 60 B1/ Hub Pawls, RockShox Forks and Reverb Service



Note:

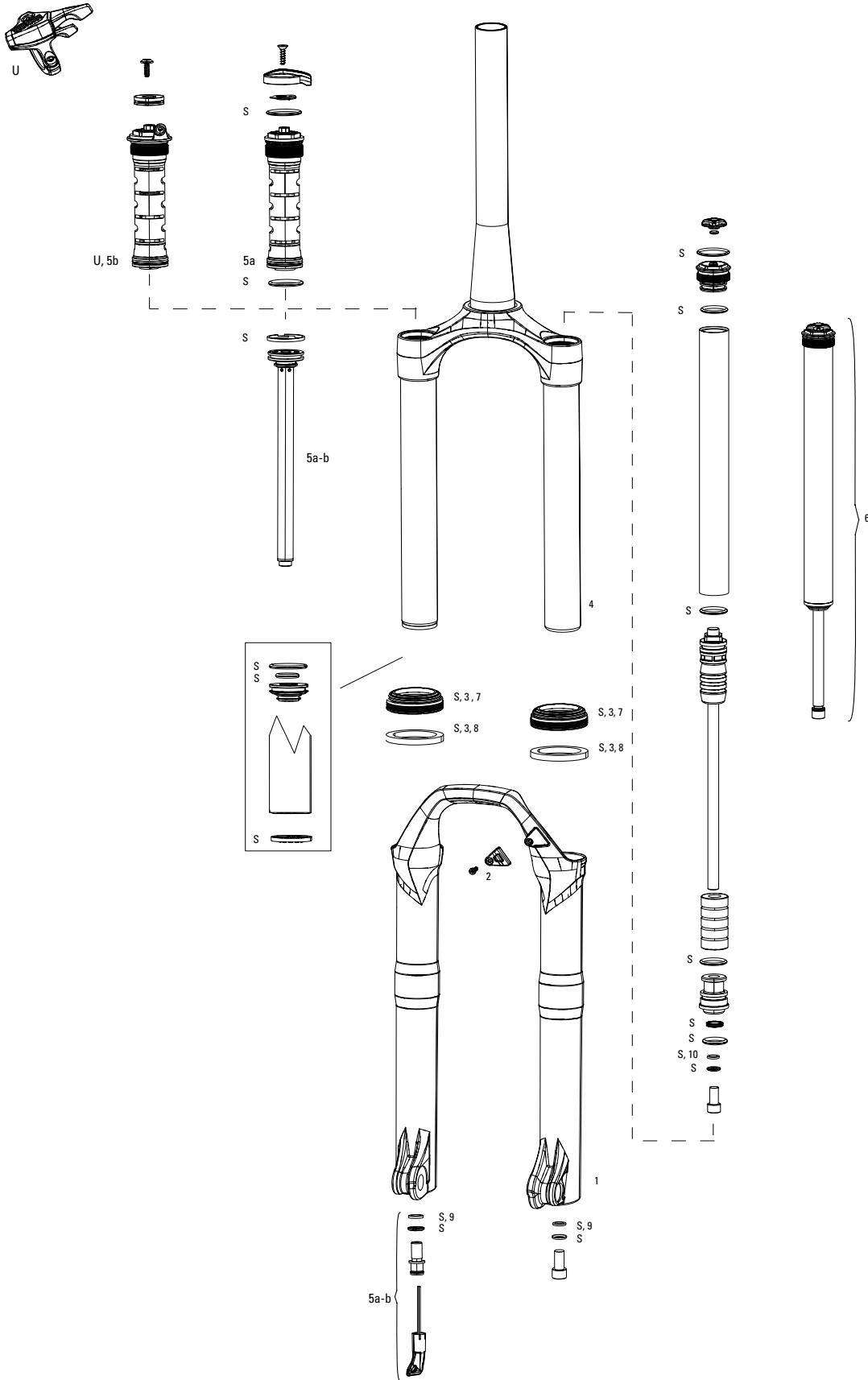
1. Full service kits include replaceable o-rings, glide rings, retaining rings, crush washers, crush washer retainers and shaft bolts/nuts. All air service kits include replacement schrader valve cores. Not all service parts are pictured. All basic service kits include the following replaceable wear items: o-rings, glide rings, dust seals, and foam rings.
2. Convert from Crown Adjust to Remote Adjust: Remote compression damper requires remote compression adjuster spool, and remote lever assembly.
3. Sektor Silver requires PopLoc or PopLoc Adjust remote; 17mm cable pull.

SEKTOR SILVER (A1/2014-2016)



No.	Part Number	Description
1a	11.4015.395.020	Lower Leg 26", 9mm QR, Black - 2010-2016 Revelation/2011-2016 Sektor (no decals)
1a	11.4015.395.010	Lower Leg 26", 9mm QR, White - 2010-2016 Revelation/2011-2016 Sektor (no decals)
1a	11.4018.006.096	Lower Leg Revelation/Sektor 26Q Diffusion Black
1b	11.4015.395.060	Lower Leg 26" Maxle Lite 15mm, Black 2010-2016 Revelation/2011-2016 Sektor/2012-2016 Recon Gold (no decals)
1b	11.4015.395.050	Lower Leg 26" Maxle Lite 15mm, White 2010-2016 Revelation/2011-2016 Sektor/2012-2016 Recon Gold (no decals)
1b	11.4015.395.070	Lower Leg 26" Maxle Lite 15mm, Diffusion Black 2010-2016 Revelation/2011-2016 Sektor/2012-2016 Recon Gold (no decals)
1c	11.4018.006.087	Lower Leg 2915 Disc Black- Sektor/Recon Gold/XC32/Recon Silver B1
1c	11.4018.006.088	Lower Leg 2915 Disc White - Sektor/Recon Gold/XC32/Recon Silver B1
1c	11.4018.006.089	Lower Leg 2915 Disc Diffusion Black - Sektor/Recon Gold/XC32/Recon Silver B1
1d	11.4018.006.120	Lower Leg SEKTOR/RECON 27.5/650B, Maxle 15 Disc Black
1d	11.4018.006.121	Lower Leg SEKTOR/RECON 27.5/650B, Maxle 15 Disc White
1d	11.4018.006.122	Lower Leg SEKTOR/RECON 27.5/650B, Maxle 15 Disc Diffusion Black
2	11.4015.534.010	Hydraulic Hose Clamp, Lower Leg
3	11.4018.008.238	CSU Sektor Silver Solo Air 26 Aluminum Taper Black A1
3	11.4018.008.239	CSU Sektor Silver Solo Air 26 Aluminum Taper White A1
3	11.4018.008.240	CSU Sektor Silver Solo Air 26 Aluminum Taper Diffusion BlackA1
3	11.4018.008.241	CSU Sektor Silver Solo Air 27.5 Aluminum Taper Black A1
3	11.4018.008.242	CSU Sektor Silver Solo Air 27.5 Aluminum Taper White A1
3	11.4018.008.243	CSU Sektor Silver Solo Air 27.5 Aluminum Taper Diffusion Black A1
4	11.4310.290.000	Dust Seal/Foam Ring Grey 32mm Seal, 10mm Foam Ring-Revelation/Argyle/Sektor/Tora/Recon/XC32
5	11.4310.465.000	Fork Shaft Bolt Kit
6	11.4018.033.002	Rebound Adjuster 29 - XC30 A1-A3/30 Gold A1/30 Silver A1
7	11.4308.848.000	PopLoc Lever Left (17mm cable pull, not compatible with 2013+ Motion Control)
7	11.4309.207.000	PopLoc Lever Right (17mm cable pull, not compatible with 2013+ Motion Control)
8	11.4308.849.000	PopLoc Adjust Lever Left (17mm cable pull, not compatible with 2013+ Motion Control)
8	11.4309.208.000	PopLoc Adjust Lever Right (17mm cable pull, not compatible with 2013+ Motion Control)
9	11.4018.011.001	Remote Spool/Cable Clamp Kit XC32/Recon Silver (17mm Pull Damper, PopLoc/pre-2013 PushLoc only)
10	11.4015.461.050	Compression Knob Kit, TurnKey - Recon/Sektor/30 Gold/30 Silver/XC32/XC30 A1-A3
11	11.4018.009.038	Damper Internals Right Turnkey TK 80-120 Crown - Sektor Silver/XC32/Recon Silver B1
12	11.4018.009.039	Damper Internals Right Turnkey TK 80-120 Remote17mm Cable Pull - Sektor Silver/XC32/Recon Silver B1 (PopLoc/2010-2013 PushLoc only)
13	11.4018.010.104	Spring Internals Left Solo Air Sektor Silver A1/Recon SilverB1 26,27.5,29 130 (includes air top cap, solo air spring and shaft bolt)
13	11.4018.010.105	Spring Internals Left Solo Air Sektor Silver 26,27.5,29 140(includes air top cap, solo air spring and shaft bolt) A1
14	11.4018.012.000	Air Top Cap, XC32/Recon Silver Black (32mm steel upper tubesonly)
15	11.4018.034.000	Travel Spacers Solo Air (used to change travel) - Recon/30 Gold/30 Silver/XC 32/XC30/Paragon
16a	00.4318.005.002	Axle Maxle Lite Front MTB, 15x100, Length 148mm, Thread Length 9mm, Thread Pitch M15x1.50 - SID/Reba/Revelation/Recon/Sektor/XC32
16b	00.4318.005.018	Axle Maxle Stealth Front MTB, 15x100, Length 148mm, Thread Length 9mm, Thread Pitch M15x1.50 (not compatible with RS-1) Standard
17	11.4318.004.001	Maxle Lite 15mm XC Lever Assembly
18	00.4318.002.007	Remote Upgrade Kit - Turnkey 17mm - Includes Remote Compression Damper and PopLoc Remote Right 32mm Sektor Silver/XC32/Recon Silver B1
19	11.4308.327.002	Schrader Valve Core Qty 2
FS	11.4018.036.000	Service Kit Full - Sektor Silver Solo Air (includes solo airand damper seals and hardware) A1
S	00.4315.032.470	AM Fork Service Kit, Basic (includes dust seals, foam rings,o-ring seals) - Sektor Silver Solo Air A1
ns	11.4318.003.415	Decal Kit Sektor Gold/Silver 26/27.5/29 Silver/Black LowerLeg B1
ns	11.4318.003.416	Decal Kit Sektor Gold/Silver 26/27.5/29 Silver/White LowerLeg B1
ns	11.4318.003.417	Decal Kit Sektor Gold/Silver 26/27.5/29 Silver/Diffusion Black Lower Leg B1
bulk	11.4015.259.000	Crush Washer 8mm, Qty 50
bulk	11.4015.260.000	Crush Washer Retainer, Qty 50
bulk	11.4310.695.000	Dust Seal 32mm Grey - SID/Revelation/Reba/Argyle/Sektor/Tora/Recon/XC32 QTY 20
bulk	11.4310.698.000	Foam Ring 32mm x 10mm - Revelation/Argyle/Sektor/Tora/Recon/XC32 Qty 20
ns	11.4309.073.000	Kit Disk Brake Cable Accessory
ns	00.4315.023.010	High-Pressure Fork/Shock Pump (300 psi Max) RockShox
ns	00.4315.022.010	Schrader Valve Removal Tool Rockshox
ns	11.4315.021.020	RockShox Suspension Oil, 5wt, 120ml Bottle - Fork Damper
ns	11.4015.354.010	RockShox Suspension Oil, 5wt, 1 Liter Bottle - Fork Damper
ns	11.4315.021.040	RockShox Suspension Oil, 15wt, 120ml Bottle - Lower Legs
ns	11.4015.354.030	RockShox Suspension Oil, 15wt, 1 Liter Bottle - Lower Legs
ns	00.4318.008.000	Grease SRAM Butter 20ml Syringe, Friction Reducing Grease bySlickoleum - Recommended for X0/Rise XX/Roam 40, 30/Rail 40/Rise 60 B1/ Hub Pawls, RockShox Forks and Reverb Service
ns	00.4318.008.001	Grease SRAM Butter 1oz Container, Friction Reducing Grease by Slickoleum - Recommended for X0/Rise XX/Roam 40, 30/Rail 40/Rise 60 B1/ Hub Pawls, RockShox Forks and Reverb Service

SEKTOR SILVER RL (A2) 27.5" BOOST COMPATIBLE 15X110 (2017+)



Note:

1. All basic service kits include the following replaceable wear items: o-rings, glide rings, dust seals, and foam rings.
2. Convert from Crown Adjust to Remote Adjust: Remote compression damper requires remote compression adjuster spool, cable clamp and remote lever assembly.
3. Thread Pitch is 0.8mm for Recon Silver C1 and Sektor Silver A2
4. Maximum Tire Diameter: 714mm Maximum Tire Width: 81mm
5. 32mm Boost lower legs use flangless wiper seals.

SEKTOR SILVER RL (A2) 27.5" BOOST COMPATIBLE 15X110 (2017+)



SPARES

No.	Part Number	Description
S	00.4315.032.631	AM Fork Service Kit, Basic (includes dust seals, foam rings, o-ring seals) - Sektor Silver RL A2 (boost)
U	00.4318.002.015	Remote Upgrade Kit - OneLoc Right/above, Left/below 10mm MCRL Damper Push to Close (includes remote, comp damper, cable&housing)-ReconSilverB1/(SektorSilver Boost only)(2017)

LOWER LEG

No.	Part Number	Description
1	11.4018.006.297	Lower Leg Recon/Sektor Silver 27 Boost Compatible 15x110 Disc Black (decals not included) - Recon Silver RL B1/TK C1/ Sektor Silver RL A2 (2017+)
2	11.4015.534.011	Hydraulic Hose Guide, Lower Leg - SID RLC A1/SID XX/RL B1 (2017+)
3	11.4018.028.009	Dust Seal/Foam Ring Black 32 x 41 Seal, 5mm Foam Ring - Bluto/RS1/32mm Boost Forks Qty 20

CROWN STEER UPPER TUBES (CSU)

No.	Part Number	Description
4	11.4018.008.519	CSU Recon/Sektor Silver 27 Boost Compatible 42 Off-Set Aluminum Taper Black (no gradients)(.8 Thread Pitch) - Recon Silver RL B1/TK C1/ Sektor Silver RL A2 (2017+)

RIGHT SIDE INTERNALS

No.	Part Number	Description
5a	11.4018.009.089	Damper Internals Right RL (Thread Pitch 0.8mm) Boost Compatible 130-150 Crown - Sektor Silver RL A2 Boost (2017+)
5b	11.4018.009.090	Damper Internals Right RL (Thread Pitch 0.8mm) Boost Compatible 130-150 Remote 10mm Cable Pull - Sektor Silver RL A2 Boost (2017+)

LEFT SIDE INTERNALS

No.	Part Number	Description
6	11.4018.010.224	Spring Internals Left Sektor Silver 27.5/29 130-150 Solo Air (includes top cap, solo air spring and air tube, shaft bolt)(Thread Pitch 0.8mm) - Sektor Silver RL A2 Boost Compatible 15X110 (2017+)

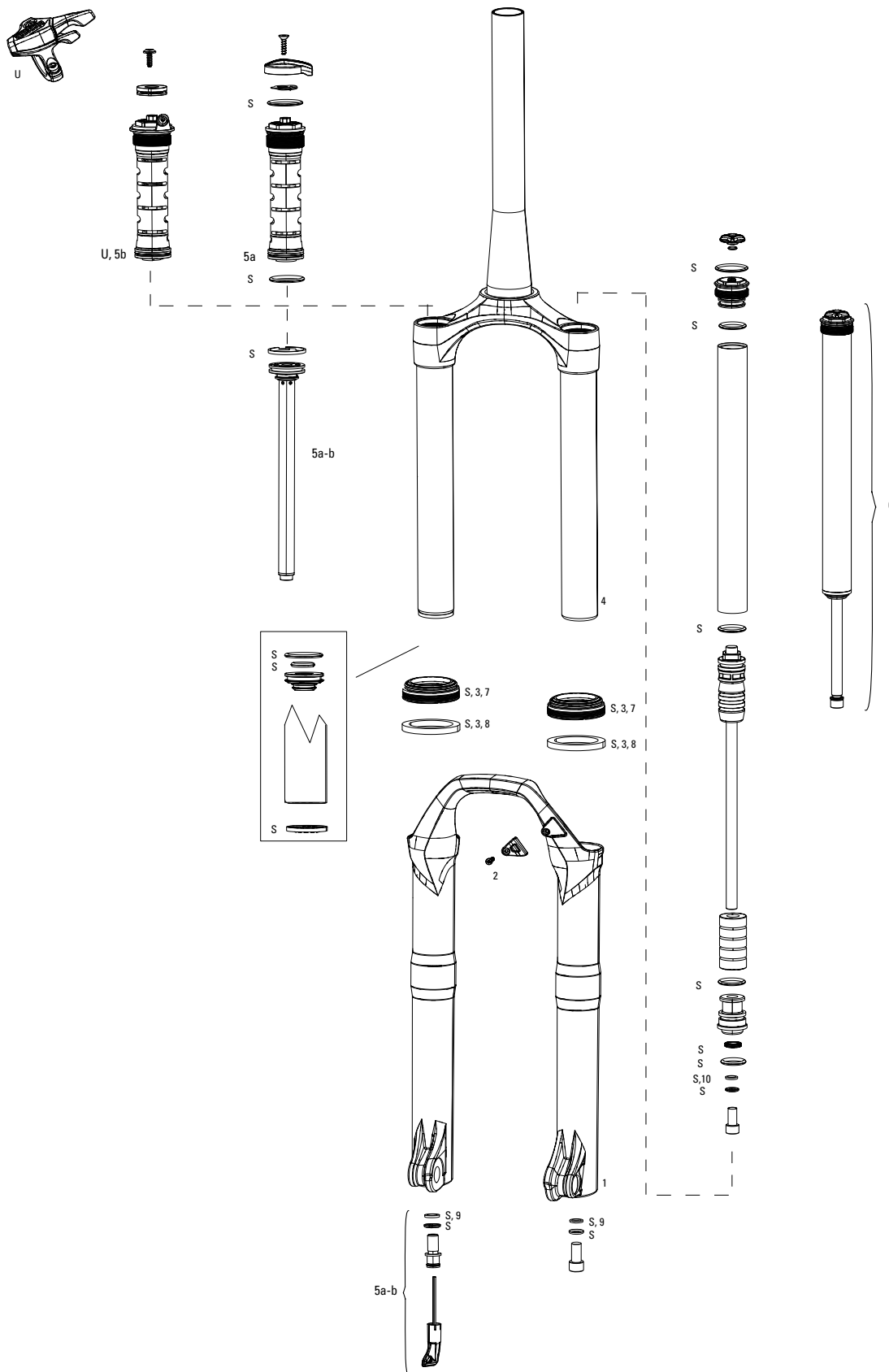
BULK

No.	Part Number	Description
7	11.4018.028.010	Dust Seal 32 X 41 Black - Bluto/RS1/32mm Boost Forks Qty 20
8	11.4018.028.015	Foam Ring 32mm x4mm Qty 20 - SID RLC A1/SID XX/RL B1 (2017+)
9	11.4015.259.000	Crush Washer 8mm, Qty 50

AIR PUMP/FLUID/GREASE/TOOLS

No.	Part Number	Description
ns	00.4315.023.010	High-Pressure Fork/Shock Pump (300 psi Max) RockShox
ns	00.4315.023.040	High-Pressure Fork/Shock Pump (300 psi Max) RockShox DigitalGauge
ns	00.4315.022.010	Schrader Valve Removal Tool Rockshox
ns	11.4315.021.020	RockShox Suspension Oil, 5wt, 120ml Bottle - Fork Damper
ns	11.4015.354.010	RockShox Suspension Oil, 5wt, 1 Liter Bottle - Fork Damper
ns	11.4315.021.040	RockShox Suspension Oil, 15wt, 120ml Bottle - Lower Legs
ns	11.4015.354.030	RockShox Suspension Oil, 15wt, 1 Liter Bottle - Lower Legs
ns	00.4318.008.000	Grease SRAM Butter 20ml Syringe, Friction Reducing Grease bySlickoleum - Recommended for X0/Rise XX/Roam 40, 30/Rail 40/Rise 60 B1/ Hub Pawls, RockShox Forks and Reverb Service
ns	00.4318.008.001	Grease SRAM Butter 1oz Container, Friction Reducing Grease by Slickoleum - Recommended for X0/Rise XX/Roam 40, 30/Rail 40/Rise 60 B1/ Hub Pawls, RockShox Forks and Reverb Service

SEKTOR SILVER RL (A2) 2927+ BOOST COMPATIBLE 15X110 (2017+)



Note:

1. All basic service kits include the following replaceable wear items: o-rings, glide rings, dust seals, and foam rings.
2. Convert from Crown Adjust to Remote Adjust: Remote compression damper requires remote compression adjuster spool, cable clamp and remote lever assembly.
3. Thread Pitch is 0.8mm for Recon Silver C1 and Sektor Silver A2
4. Maximum Tire Diameter: 714mm Maximum Tire Width: 81mm
5. 32mm Boost lower legs use a flangeless wiper seals.

SEKTOR SILVER RL (A2) 2927+ BOOST COMPATIBLE 15X110 (2017+)



SPARES

No.	Part Number	Description
S	00.4315.032.631	AM Fork Service Kit, Basic (includes dust seals, foam rings, o-ring seals) - Sektor Silver RL A2 (boost)
U	00.4318.002.015	Remote Upgrade Kit - OneLoc Right/above, Left/below 10mm MCRL Damper Push to Close (includes remote, comp damper, cable&housing)-ReconSilverB1/(SektorSilver Boost only)(2017)

LOWER LEG

No.	Part Number	Description
1	11.4018.006.254	Lower Leg Revelation 2927+ Boost Compatible 15X110 Disc Black (decals not included)
2	11.4015.534.010	Hydraulic Hose Clamp, Lower Leg
3	11.4018.028.009	Dust Seal/Foam Ring Black 32 x 41 Seal, 5mm Foam Ring - Bluto/RS1/32mm Boost Forks Qty 20

CROWN STEER UPPER TUBES (CSU)

No.	Part Number	Description
4	11.4018.008.522	CSU Recon/Sektor Silver 2927+ Boost Compatible 46 Off-Set Aluminum Taper Black (no gradients)(.8 Thread Pitch) - Recon Silver RL B1/TK C1/ Sektor Silver RL A2 (2017+)

RIGHT SIDE INTERNALS

No.	Part Number	Description
5a	11.4018.009.089	Damper Internals Right RL (Thread Pitch 0.8mm) Boost Compatible 130-150 Crown - Sektor Silver RL A2 Boost (2017+)
5b	11.4018.009.090	Damper Internals Right RL (Thread Pitch 0.8mm) Boost Compatible 130-150 Remote 10mm Cable Pull - Sektor Silver RL A2 Boost (2017+)

LEFT SIDE INTERNALS

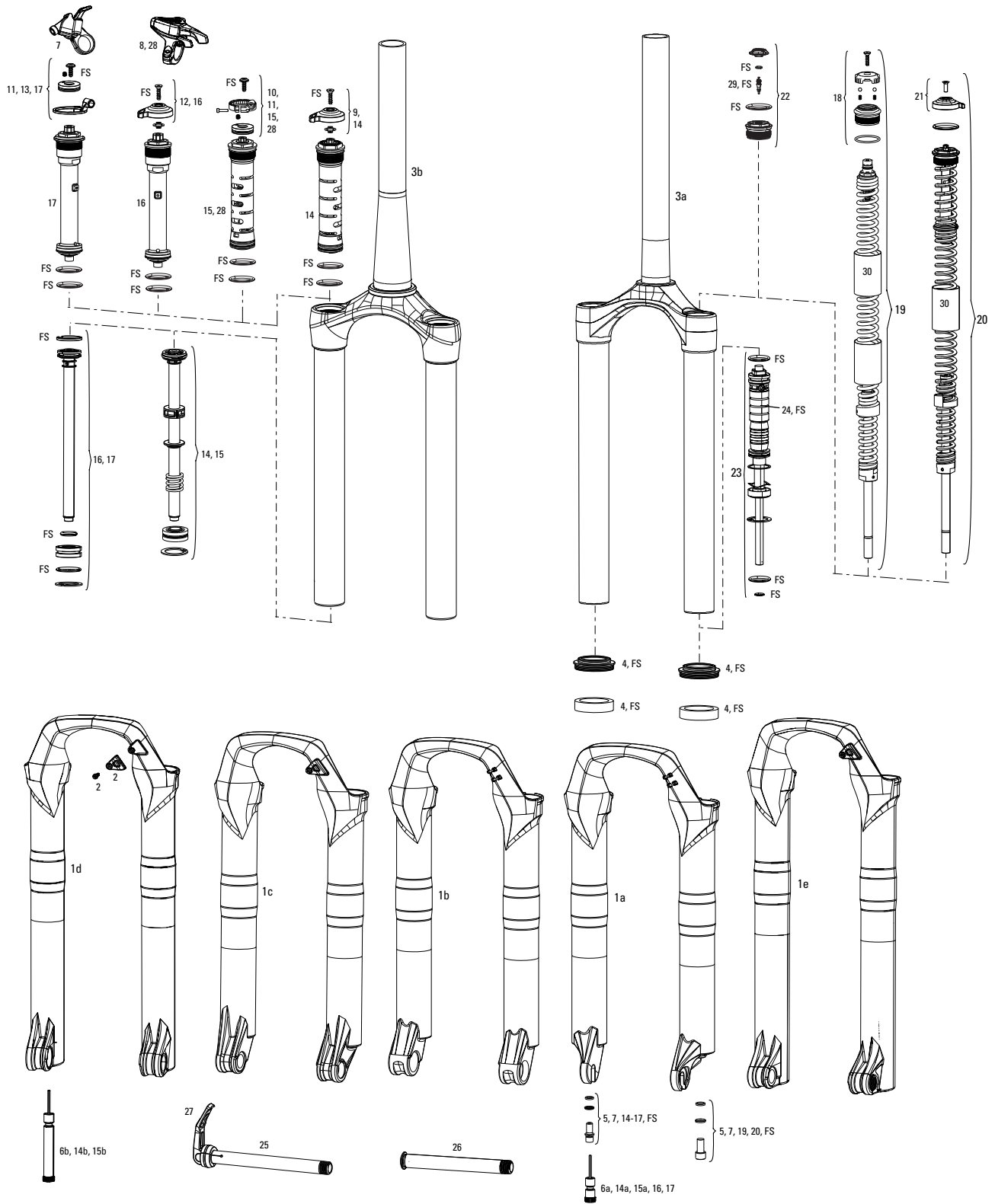
No.	Part Number	Description
6	11.4018.010.224	Spring Internals Left Sektor Silver 27.5/29 130-150 Solo Air (includes top cap, solo air spring and air tube, shaft bolt)(Thread Pitch 0.8mm) - Sektor Silver RL A2 Boost Compatible 15X110 (2017+)

BULK

No.	Part Number	Description
7	11.4018.028.010	Dust Seal 32 X 41 Black - Bluto/RS1/32mm Boost Forks Qty 20
8	11.4018.028.015	Foam Ring 32mm x4mm Qty 20 - SID RLC A1/SID XX/RL B1 (2017+)
9	11.4015.259.000	Crush Washer 8mm, Qty 50

AIR PUMP/FLUID/GREASE/TOOLS

No.	Part Number	Description
ns	00.4315.023.010	High-Pressure Fork/Shock Pump (300 psi Max) RockShox
ns	00.4315.023.040	High-Pressure Fork/Shock Pump (300 psi Max) RockShox DigitalGauge
ns	00.4315.022.010	Schrader Valve Removal Tool Rockshox
ns	11.4315.021.020	RockShox Suspension Oil, 5wt, 120ml Bottle - Fork Damper
ns	11.4015.354.010	RockShox Suspension Oil, 5wt, 1 Liter Bottle - Fork Damper
ns	11.4315.021.040	RockShox Suspension Oil, 15wt, 120ml Bottle - Lower Legs
ns	11.4015.354.030	RockShox Suspension Oil, 15wt, 1 Liter Bottle - Lower Legs
ns	00.4318.008.000	Grease SRAM Butter 20ml Syringe, Friction Reducing Grease bySlickoleum - Recommended for X0/Rise XX/Roam 40, 30/Rail 40/Rise 60 B1/ Hub Pawls, RockShox Forks and Reverb Service
ns	00.4318.008.001	Grease SRAM Butter 1oz Container, Friction Reducing Grease by Slickoleum - Recommended for X0/Rise XX/Roam 40, 30/Rail 40/Rise 60 B1/ Hub Pawls, RockShox Forks and Reverb Service



Note:

1. Full service kits include replaceable o-rings, glide rings, retaining rings, crush washers, crush washer retainers and shaft bolts/nuts. All air service kits include replacement schrader valve cores. Not all service parts are pictured. All basic service kits include the following replaceable wear items: o-rings, glide rings, dust seals, and foam rings.
2. Convert from Crown Adjust to Remote Adjust: Remote compression damper requires remote compression adjuster spool, and remote lever assembly.
3. 2013+ Sektor Gold compatible with 10mm cable pull PushLoc or OneLoc.
4. Sektor Coil: All-travel spacer is located on rebound damper assembly.
5. Sektor Solo Air: All-travel spacer is located on Solo Air spring assembly.

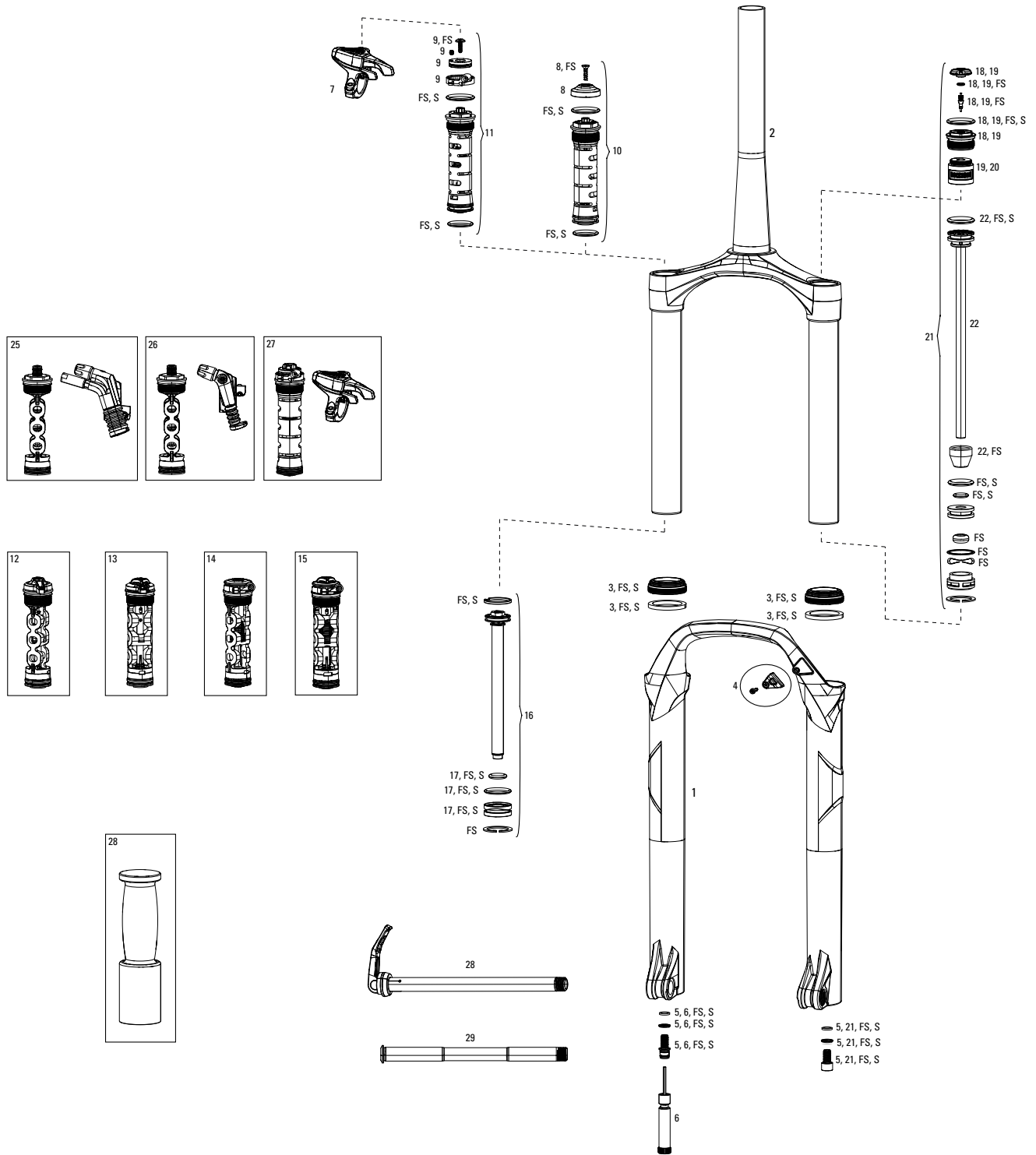
SEKTOR GOLD (A1-B1/2011-2017)



No.	Part Number	Description
1a	11.4015.395.020	Lower Leg 26", 9mm QR, Black - 2010-2016 Revelation/2011-2016 Sektor (no decals)
1a	11.4015.395.010	Lower Leg 26", 9mm QR, White - 2010-2016 Revelation/2011-2016 Sektor (no decals)
1a	11.4018.006.096	Lower Leg Revelation/Sektor 26Q Diffusion Black
1b	11.4015.395.040	Lower Leg 26", Maxle Lite 20mm, Black - 2010-2016 Revelation/2011-2016 Sektor (no decals)
1b	11.4015.395.030	Lower Leg 26", Maxle Lite 20mm, White - 2010-2016 Revelation/2011-2016 Sektor (no decals)
1b	11.4018.006.097	Lower Leg Revelation/Sektor 2620 Disc Diffusion Black
1c	11.4015.395.060	Lower Leg 26" Maxle Lite 15mm, Black 2010-2016 Revelation/2011-2016 Sektor/2012-2016 Recon Gold (no decals)
1c	11.4015.395.050	Lower Leg 26" Maxle Lite 15mm, White 2010-2016 Revelation/2011-2016 Sektor/2012-2016 Recon Gold (no decals)
1c	11.4015.395.070	Lower Leg 26" Maxle Lite 15mm, Diffusion Black 2010-2016 Revelation/2011-2016 Sektor/2012-2016 Recon Gold (no decals)
1d	11.4018.006.084	Lower Leg Sektor/Recon 2920 Disc Black
1d	11.4018.006.085	Lower Leg Sektor/Recon 2920 Disc White
1d	11.4018.006.086	Lower Leg Sektor/Recon 2920 Disc Diffusion Black
1e	11.4018.006.087	Lower Leg 2915 Disc Black- Sektor/Recon Gold/XC32/Recon Silver B1
1e	11.4018.006.088	Lower Leg 2915 Disc White - Sektor/Recon Gold/XC32/Recon Silver B1
1e	11.4018.006.089	Lower Leg 2915 Disc Diffusion Black - Sektor/Recon Gold/XC32/Recon Silver B1
ns	11.4018.006.120	Lower Leg SEKTOR/RECON 27.5/650B, Maxle 15 Disc Black
ns	11.4018.006.121	Lower Leg SEKTOR/RECON 27.5/650B, Maxle 15 Disc White
ns	11.4018.006.122	Lower Leg SEKTOR/RECON 27.5/650B, Maxle 15 Disc Diffusion Black
2	11.4015.534.010	Hydraulic Hose Clamp, Lower Leg
3a	11.4015.498.030	CSU, U-Turn Coil 140mm, Aluminum Steerer 1 1/8" - Sektor
3a	11.4015.498.040	CSU, U-Turn Coil 150mm, Aluminum Steerer 1 1/8" - Sektor
3a	11.4015.498.070	CSU, Solo Air, Aluminum Steerer 1 1/8" Sektor/2012 Recon Gold
3a	11.4018.008.111	CSU Sektor Solo Air 26 Aluminum 11/8 Diffusion Black
3a	11.4018.008.112	CSU Sektor Solo Air 26 Aluminum 11/8 White
3a	11.4018.008.113	CSU Sektor Coil 26 Aluminum 11/8 Black
3a	11.4018.008.114	CSU Sektor Coil 26 Aluminum 11/8 White
3a	11.4018.008.115	CSU Sektor Coil 26 Aluminum 11/8 Diffusion Black
3a	11.4018.008.116	CSU Sektor Dual Position Coil 26 Aluminum 11/8 Black
3a	11.4018.008.117	CSU Sektor Dual Position Coil 26 Aluminum 11/8 White
3a	11.4018.008.118	CSU Sektor Dual Position Coil 26 Aluminum 11/8 Diffusion Black
3b	11.4015.498.050	CSU, U-Turn Coil 140mm, Aluminum Steerer Tapered 1.5"-1 1/8" Sektor
3b	11.4015.498.060	CSU, U-Turn Coil 150mm, Aluminum Steerer Tapered 1.5"-1 1/8" Sektor
3b	11.4018.008.105	CSU Recon Gold/Sektor Coil/Solo Air 2615 Aluminum Taper White
3b	11.4018.008.106	CSU Recon Gold/Sektor Coil/Solo Air 2615 Aluminum Taper Black
3b	11.4018.008.107	CSU Recon Gold/Sektor Coil/Solo Air 2615 Aluminum Taper Diffusion Black
3b	11.4018.008.197	CSU Sektor/Recon Solo Air 27.5/650B Taper Black
3b	11.4018.008.198	CSU Sektor/Recon Solo Air 27.5/650B Taper White
3b	11.4018.008.199	CSU Sektor/Recon Solo Air 27.5/650B Taper DiffusionBlack
3b	11.4018.008.108	CSU Sektor Solo Air 29 51 Off-Set Aluminum Taper Black
3b	11.4018.008.109	CSU Sektor Solo Air 29 51 Off-Set Aluminum Taper White
3b	11.4018.008.110	CSU Sektor Solo Air 29 51 Off-Set Aluminum Taper Diffusion Black
3b	11.4018.008.119	CSU Sektor Dual Position Coil 26 Aluminum Taper White
3b	11.4018.008.120	CSU Sektor Coil 26 Aluminum Taper Black
3b	11.4018.008.121	CSU Sektor Coil 26 Aluminum Taper White
3b	11.4018.008.122	CSU Sektor Coil 26 Aluminum Taper Diffusion Black
3b	11.4018.008.123	CSU Sektor Dual Position Coil 26 Aluminum Taper Black
3b	11.4018.008.124	CSU Sektor Dual Position Coil 26 Aluminum Taper Diffusion Black
3b	11.4018.008.125	CSU Sektor Solo Air 29 46 Off-Set Aluminum Taper Black
3b	11.4018.008.126	CSU Sektor Solo Air 29 46 Off-Set Aluminum Taper White
3b	11.4018.008.127	CSU Sektor Solo Air 29 46 Off-Set Aluminum Taper Diffusion Black
4	11.4310.290.000	Dust Seal/Foam Ring Grey 32mm Seal, 10mm Foam Ring-Revelation/Argyle/Sektor/Tora/Recon/XC32
5	11.4310.465.000	Fork Shaft Bolt Kit
6a	11.4015.404.010	Rebound Adjuster Knob/Bolt Kit, Aluminum Red Long (use withMaxle lower leg)
6b	11.4015.318.000	Rebound Damper Adjuster Knob Long/Bolt (Aluminum Red) - Tora/Recon/Reba/Revelation 27/29"
7	11.4308.848.000	PopLoc Lever Left (17mm cable pull, not compatible with 2013+ Motion Control)
7	11.4309.207.000	PopLoc Lever Right (17mm cable pull, not compatible with 2013+ Motion Control)
ns	11.4308.849.000	PopLoc Adjust Lever Left (17mm cable pull, not compatible with 2013+ Motion Control)
ns	11.4309.208.000	PopLoc Adjust Lever Right (17mm cable pull, not compatible with 2013+ Motion Control)
8	00.4318.002.009	Remote - OneLoc Left/above, Right/below 10mm, Remote Only (includes remote, cable&housing)-SID,Reba,Revelation,Bluto,Sektor,ReconGold(2013-2017)
8	00.4318.002.010	Remote - OneLoc Right/above, Left/below 10mm, Remote Only (includes remote, cable&housing)-SID,Reba,Revelation,Bluto,Sektor,ReconGold(2013-2017)
9	11.4015.461.010	Compression Damper Adjuster Knob Kit (Motion Control Crown Adjust) w/ screw - Reba RL (2012-2016)/Recon, Sektor Gold (2011-2016)
10	11.4015.461.020	Compression Damper Remote Spool/Clamp Kit (Motion Control Remote) w/screw Reba RL (2012-2016)/Recon, Sektor Gold (2011-2016)
11	11.4018.011.002	Remote Spool/Cable Clamp Kit Recon Gold TKRL/Sektor TKRL/Reba RL (10mm Pull 2013+ Damper/PushLoc and OneLoc) 2013-2016
12	11.4015.461.050	Compression Knob Kit, TurnKey - Recon/Sektor/30 Gold/30 Silver/XC32/XC30 A1-A3
13	11.4015.461.040	Compression Damper Remote Spool/Clamp Kit (TurnKey Remote) -2010 Recon XC, 2011 Recon Gold, 2011 Sektor w/ screw
14	11.4018.009.050	Damper Internals Right Motion Control Sektor RL 26 Coil 130Crown Adjust A1-B1
14	11.4018.009.052	Damper Internals Right Motion Control Sektor RL 26 Coil 140Crown Adjust A1-B1
14	11.4018.009.054	Damper Internals Right Motion Control Sektor RL 26 Coil 150Crown Adjust A1-B1
14	11.4018.009.046	Damper Internals Right Motion Control Sektor Gold/Recon GoldRL Solo Air 26,27.5,29 80-150 Crown A1-B1
15	11.4018.009.051	Damper Internals Right Motion Control Sektor RL 26 Coil 130Remote 10mm Cable Pull (2013-2015 PushLoc and OneLoc) A2-B1
15	11.4018.009.053	Damper Internals Right Motion Control Sektor RL 26 Coil 140Remote 10mm Cable Pull (2013-2015 PushLoc and OneLoc) A2-B1
15	11.4018.009.055	Damper Internals Right Motion Control Sektor RL 26 Coil 150Remote 10mm Cable Pull (2013-2015 PushLoc and OneLoc) A2-B1
15	11.4018.009.047	Damper Internals Right Motion Control Sektor Gold/Recon GoldRL Solo Air 26,27.5,29 80-150 Remote 10mm Cable Pull (2013-2015 PushLoc and OneLoc) A2-B1
16	11.4018.009.056	Damper Internals Right Turnkey Sektor TK 26 Coil 130 Crown Adjust A1-B1
16	11.4018.009.058	Damper Internals Right Turnkey Sektor TK 26 Coil 140 Crown Adjust A1-B1
16	11.4018.009.060	Damper Internals Right Turnkey Sektor TK 26 Coil 150 Crown Adjust A1-B1
16	11.4018.009.048	Damper Internals Right Turnkey Sektor Gold/Recon Gold TK Solo Air 26,27.5,29 80-150 Crown A1-B1
17	11.4018.009.057	Damper Internals Right Turnkey Sektor TK 26 Coil 130 Remote10mm Cable Pull (2013-2015 PushLoc and OneLoc) A2-B1
17	11.4018.009.059	Damper Internals Right Turnkey Sektor TK 26 Coil 140 Remote10mm Cable Pull (2013-2015 PushLoc and OneLoc) A2-B1
17	11.4018.009.061	Damper Internals Right Turnkey Sektor TK 26 Coil 150 Remote10mm Cable Pull (2013-2015 PushLoc and OneLoc) A2-B1
17	11.4018.009.049	Damper Internals Right Turnkey Sektor Gold/Recon Gold TK Solo Air 26,27.5,29 80-150 Remote 10mm Cable Pull (2013-2015 PushLoc and OneLoc) A2-B1



No.	Part Number	Description
18	11.4015.438.030	Top Cap/Preload Adjuster Knob, Aluminum - 2011 Sektor (use with Coil Spring U-Turn/Shaft Assy)
19	11.4015.499.010	Coil Spring/Shaft Assy, X-Soft Silver 130mm - 2011 Sektor (requires Top Cap Kit - Sektor)
19	11.4015.499.020	Coil Spring/Shaft Assy, Soft Yellow 130mm - 2011 Sektor (requires Top Cap Kit - Sektor)
19	11.4015.499.030	Coil Spring/Shaft Assy, Medium Red 130mm - 2011 Sektor (requires Top Cap Kit - Sektor)
19	11.4015.499.040	Coil Spring/Shaft Assy, Firm Blue 130mm - 2011 Sektor (requires Top Cap Kit - Sektor)
19	11.4015.499.050	Coil Spring/Shaft Assy, X-Firm Black 130mm - 2011 Sektor (requires Top Cap Kit - Sektor)
19	11.4015.499.060	Coil Spring/Shaft Assy, X-Soft Silver 140mm - 2011 Sektor (requires Top Cap Kit - Sektor)
19	11.4015.499.070	Coil Spring/Shaft Assy, Soft Yellow 140mm - 2011 Sektor (requires Top Cap Kit - Sektor)
19	11.4015.499.080	Coil Spring/Shaft Assy, Medium Red 140mm - 2011 Sektor (requires Top Cap Kit - Sektor)
19	11.4015.499.090	Coil Spring/Shaft Assy, Firm Blue 140mm - 2011 Sektor (requires Top Cap Kit - Sektor)
19	11.4015.499.100	Coil Spring/Shaft Assy, X-Firm Black 140mm - 2011 Sektor (requires Top Cap Kit - Sektor)
19	11.4015.499.110	Coil Spring/Shaft Assy, X-Soft Silver 150mm - 2011 Sektor (requires Top Cap Kit - Sektor)
19	11.4015.499.120	Coil Spring/Shaft Assy, Soft Yellow 150mm - 2011 Sektor (requires Top Cap Kit - Sektor)
19	11.4015.499.130	Coil Spring/Shaft Assy, Medium Red 150mm - 2011 Sektor (requires Top Cap Kit - Sektor)
19	11.4015.499.140	Coil Spring/Shaft Assy, Firm Blue 150mm - 2011 Sektor (requires Top Cap Kit - Sektor)
19	11.4015.499.150	Coil Spring/Shaft Assy, X-Firm Black 150mm - 2011 Sektor (requires Top Cap Kit - Sektor)
20	11.4015.540.010	Coil Spring Dual Position Coil/Shaft/Top Cap/Adjuster Knob Assy, X-Soft Silver 140mm - 2012 Sektor
20	11.4015.540.020	Coil Spring Dual Position Coil/Shaft/Top Cap/Adjuster Knob Assy, Soft Yellow 140mm - 2012 Sektor
20	11.4015.540.030	Coil Spring Dual Position Coil/Shaft/Top Cap/Adjuster Knob Assy, Medium Red 140mm - 2012 Sektor
20	11.4015.540.040	Coil Spring Dual Position Coil/Shaft/Top Cap/Adjuster Knob Assy, Firm Blue 140mm - 2012 Sektor
20	11.4015.540.050	Coil Spring Dual Position Coil/Shaft/Top Cap/Adjuster Knob Assy, X-Firm Black 140mm - 2012 Sektor
20	11.4015.540.060	Coil Spring Dual Position Coil/Shaft/Top Cap/Adjuster Knob Assy, X-Soft Silver 150mm - 2012 Sektor
20	11.4015.540.070	Coil Spring Dual Position Coil/Shaft/Top Cap/Adjuster Knob Assy, Soft Yellow 150mm - 2012 Sektor
20	11.4015.540.080	Coil Spring Dual Position Coil/Shaft/Top Cap/Adjuster Knob Assy, Medium Red 150mm - 2012 Sektor
20	11.4015.540.090	Coil Spring Dual Position Coil/Shaft/Top Cap/Adjuster Knob Assy, Firm Blue 150mm - 2012 Sektor
20	11.4015.540.100	Coil Spring Dual Position Coil/Shaft/Top Cap/Adjuster Knob Assy, X-Firm Black 150mm - 2012 Sektor
21	11.4015.541.010	Dual Position Coil Adjuster Knob - 2012 Sektor
22	11.4018.012.001	Air Top Cap, Recon Gold/Sektor Black (32mm aluminum upper tubes only)
23	11.4018.010.043	Spring Internals Left Solo Air Sektor 26,27,5,29 130 (includes air top cap, solo air spring and shaft bolt)
23	11.4018.010.044	Spring Internals Left Solo Air Sektor 26,27,5,29 140 (includes air top cap, solo air spring and shaft bolt)
23	11.4018.010.045	Spring Internals Left Solo Air Sektor 2629 150 (includes airtop cap, solo air spring and shaft bolt)
24	11.4015.450.000	All-Travel Spacer Kit (not compatible with SID/Reba/Revelation Solo Air Spring)
25	00.4318.005.002	Axle Maxle Lite Front MTB, 15x100, Length 148mm, Thread Length 9mm, Thread Pitch M15x1.50 - SID/Reba/Revelation/Recon/Sektor/XC32
25	00.4315.013.010	Axle Maxle Lite Front MTB 20x110 Length 158mm Thread Length 9mm Thread Pitch M20x2.0 - 32mm Chassis (2011-2016)
26	00.4318.005.018	Axle Maxle Stealth Front MTB, 15x100, Length 148mm, Thread Length 9mm, Thread Pitch M15x1.50 (not compatible with RS-1) Standard
27	11.4318.004.001	Maxle Lite 15mm XC Lever Assembly
27	11.4311.722.020	Lever/Wedge Kit, Maxle Lite 20mm (32mm/35mm/40mm) 2011
ns	11.4315.010.010	Lever/Wedge Kit, Rear Maxle Lite 135/150mm (axle body)/MaxleLite 15mm (front) - Black Lever 2010-2013
28	00.4318.002.011	Remote Upgrade Kit - OneLoc Right/above, Left/below 10mm MCRL Damper Push to Close (includes remote, comp damper, cable&housing)-ReconGold/SektorGold(2013 -2016)
29	11.4308.327.002	Schrader Valve Core Qty 2
30	11.4309.336.000	Coil Spring Isolator Kit Qty 3
ns	11.4015.502.000	Service Kit - Sektor/Argyle RCT
ns	00.4315.032.050	AM Fork Service Kit, Basic (includes dust seals, foam rings,o-ring seals) - Sektor Turnkey Dual Position Coil (2012)
ns	00.4315.032.060	AM Fork Service Kit, Basic (includes dust seals, foam rings,o-ring seals) - Sektor RL Dual Position Coil (2012-2016)
ns	00.4315.032.070	AM Fork Service Kit, Basic (includes dust seals, foam rings,o-ring seals) - Sektor RL Solo Air (2012-2016)
ns	00.4315.032.300	AM Fork Service Kit, Basic (includes dust seals, foam rings,o-ring seals) - Sektor Turnkey Solo Air (2013-2016)
ns	00.4315.032.310	AM Fork Service Kit, Basic (includes dust seals, foam rings,o-ring seals) - Sektor Motion Control SoloAir (2013-2016)
FS	11.4018.017.000	Service Kit Full - Sektor Gold (includes solo air and damperseals and hardware)
ns	11.4318.003.415	Decal Kit Sektor Gold/Silver 26/27.5/29 Silver/Black LowerLeg B1
ns	11.4318.003.416	Decal Kit Sektor Gold/Silver 26/27.5/29 Silver/White LowerLeg B1
ns	11.4318.003.417	Decal Kit Sektor Gold/Silver 26/27.5/29 Silver/Diffusion Black Lower Leg B1
bulk	11.4015.259.000	Crush Washer 8mm, Qty 50
bulk	11.4015.260.000	Crush Washer Retainer, Qty 50
bulk	11.4310.695.000	Dust Seal 32mm Grey - SID/Revelation/Reba/Argyle/Sektor/Tora/Recon/XC32 QTY 20
bulk	11.4310.698.000	Foam Ring 32mm x 10mm - Revelation/Argyle/Sektor/Tora/Recon/XC32 Qty 20
ns	11.4309.073.000	Kit Disk Brake Cable Accessory
ns	00.4315.023.010	High-Pressure Fork/Shock Pump (300 psi Max) RockShox
ns	00.4315.022.010	Schrader Valve Removal Tool Rockshox
ns	11.4315.021.020	RockShox Suspension Oil, 5wt, 120ml Bottle - Fork Damper
ns	11.4015.354.010	RockShox Suspension Oil, 5wt, 1 Liter Bottle - Fork Damper
ns	11.4315.021.040	RockShox Suspension Oil, 15wt, 120ml Bottle - Lower Legs
ns	11.4015.354.030	RockShox Suspension Oil, 15wt, 1 Liter Bottle - Lower Legs
ns	00.4318.008.000	Grease SRAM Butter 20ml Syringe, Friction Reducing Grease bySlickoleum - Recommended for X0/Rise XX/Roam 40, 30/Rail 40/Rise 60 B1/ Hub Pawls, RockShox Forks and Reverb Service
ns	00.4318.008.001	Grease SRAM Butter 1oz Container, Friction Reducing Grease by Slickoleum - Recommended for X0/Rise XX/Roam 40, 30/Rail 40/Rise 60 B1/ Hub Pawls, RockShox Forks and Reverb Service



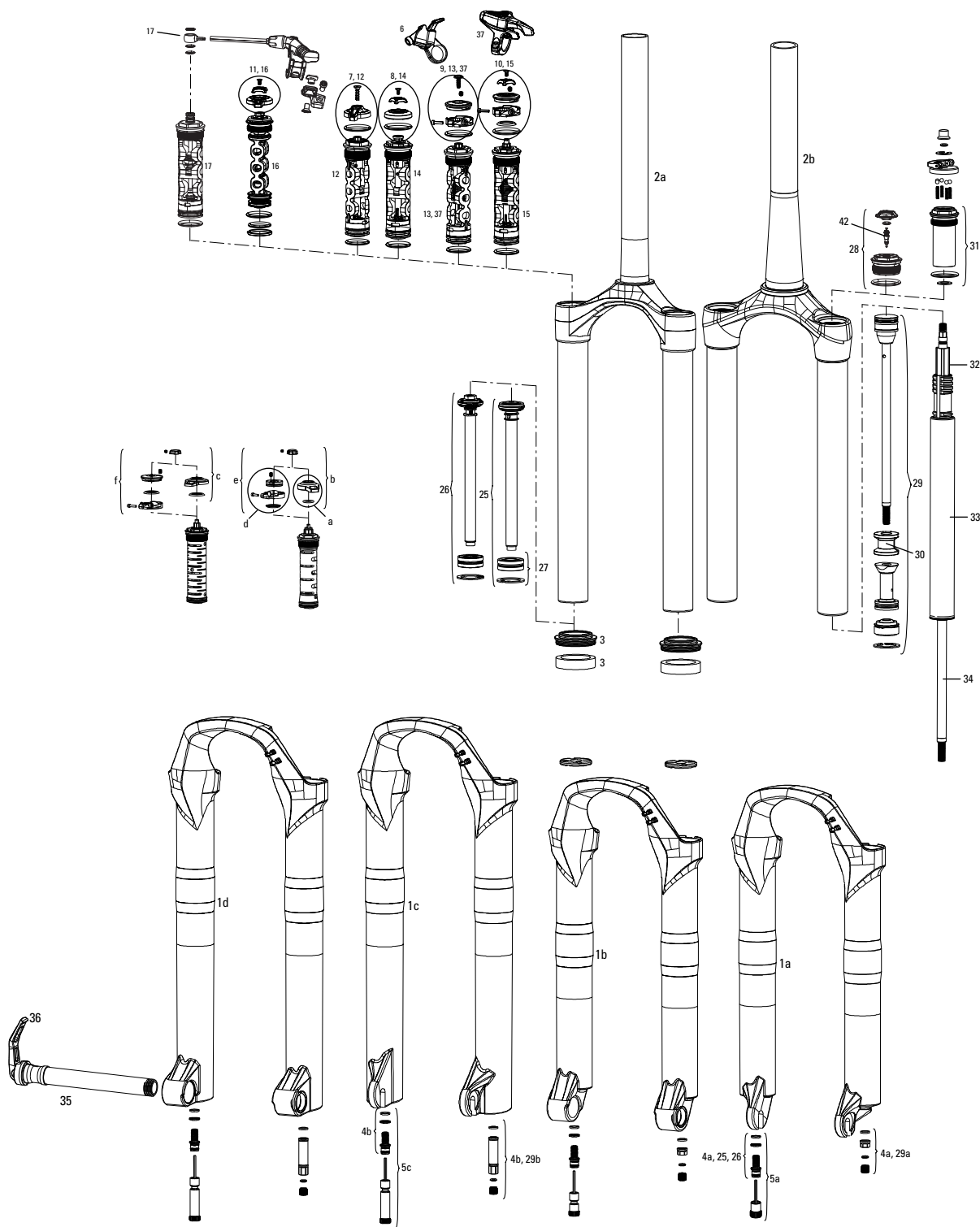
Notes:

1. Full service kits include replaceable o-rings, glide rings, retaining rings, crush washers, crush washer retainers and shaft bolts/nuts. All air service kits include replacement schrader valve cores. Not all service parts are pictured. All basic service kits include the following replaceable wear items: o-rings, glide rings, dust seals, and foam rings.
2. Rebound damper and spring shaft kits include crush washers, crush washer retainers and shaft bolts, as well as upper tube retaining rings and rebound adjuster knob.
3. Convert from Crown Adjust to Remote Adjust: Use remote upgrade kit.

BLUTO (A1-A2/2015-2017)



No.	Part Number	Description
1	11.4018.006.211	Lower Leg Bluto 2615 Disc Black (decals not included) A1
1	11.4018.006.212	Lower Leg Bluto 2615 Disc White (decals not included) A1
1	11.4018.006.213	Lower Leg Bluto 2615 Disc Diffusion Black (decals not included) A1
2	11.4018.008.344	CSU Bluto Solo Air 26 51 Off-Set Aluminum Taper Black A1
2	11.4018.008.345	CSU Bluto Solo Air 26 51 Off-Set Aluminum Taper White A1
2	11.4018.008.346	CSU Bluto Solo Air 26 51 Off-Set Aluminum Taper Diffusion Black A1
3	11.4018.028.009	Dust Seal/Foam Ring Black 32 x 41 Seal, 5mm Foam Ring - Bluto/RS1/SID B1 (2017+)/32mm Boost Forks Qty 20 (flangeless)
4	11.4015.534.010	Hydraulic Hose Clamp, Lower Leg
5	11.4015.403.050	Shaft Fastener Kit Bluto (Includes shaft bolts and crush washers) A1
6	11.4015.404.023	Rebound Adjuster Knob/Bolt Kit - Bluto A1
7	00.4318.002.009	Remote - OneLoc Left/above, Right/below 10mm, Remote Only (includes remote, cable&housing)-SID,Reba,Revelation,Bluto,Sektor,ReconGold(2013-2017)
7	00.4318.002.010	Remote - OneLoc Right/above, Left/below 10mm, Remote Only (includes remote, cable&housing)-SID,Reba,Revelation,Bluto,Sektor,ReconGold(2013-2017)
8	11.4015.547.110	Knob Kit, Compression Damper, MCNA - Reba/Bluto
8	11.4015.547.100	Knob Kit, Compression Damper, RCT3 - SID A/Revelation A1-A3, Bluto A1 (2012-2016)
9	11.4018.011.002	Remote Spool/Cable Clamp Kit Recon Gold TKRL/Sektor TKRL/Reba RL (10mm Pull 2013+ Damper/PushLoc and OneLoc) 2013-2016
10	11.4015.544.330	Compression Damper, Crown Adjust, Motion Control RL (includes compression knob and bolt) - Bluto A1
11	11.4015.544.340	Compression Damper, Remote Adjust, Motion Control RL (includes remote spool and cable clamp; compatible with 2013-2015 PushLoc and OneLoc) - Bluto A1
12	11.4015.544.010	Compression Damper, Crown Adjust, Motion Control DNA (includes comp knob) - SID/Reba RL (120mm only) A1-A3 2012-2016
13	11.4015.544.050	Compression Damper, Crown Adjust, Motion Control DNA (includes comp and floodgate knobs) - SIDB/Reba RLT (120mm only) A1A3 (2012-2016)
13	11.4015.544.270	Compression Damper, Motion Control DNA, Crown Adjust - SID RCT3 Black (includes compression knobs) A3 2014-2016
14	11.4015.544.230	Compression Damper, Remote Adjust 10mm, Motion Control DNA,Black-SIDB/Reba RL (includes spool & cable clamp; compatiblewith 2013-2015 PushLoc and OneLoc) A2-A3 (2013-2016)
15	11.4015.544.240	Compression Damper, Remote Adjust 10mm, Motion Control DNA ,Black-SIDB/Reba RLT (includes spool & cable clamp; compatible with 2013-2015 PushLoc and OneLoc) A2-A3 (2013-2016)
16	11.4018.025.011	Rebound Damper and Seal Head Assembly/Shaft Bolt - Rapid Recovery Reba 27/29, Bluto 26 A1-A3
16	11.4018.025.001	Rebound Damper and Seal Head Assembly/Shaft Bolt- SID 26 A3(2014-2016)
17	11.4015.353.010	Seal Head Assembly (Rebound Damper, Motion Control) 32mm - SIDA 2009-2014, SIDB 2011-2013, Reba 2009-present, Revelation2009-2013, Bluto RL 2015-present
18	11.4018.012.006	Air Top Cap, Reba/SID/Revelation/RS1/Bluto/Argyle RCT Black(32mm aluminum upper tubes only, Bottomless Token compatible)
19	11.4018.032.002	Bottomless Tokens/Air Cap Kit 32mm (includes 5 tokens/32mm internally threaded air cap) - Reba/SID/Revelation/RS1/Bluto/Argyle RCT Solo Air
20	11.4018.032.003	Bottomless Tokens Qty 5 32mm SID/Reba/Revelation/RS1/Bluto/Argyle RCT Solo Air
21	11.4018.010.139	Spring Internals Left Solo Air BLUTO 26 80 (includes top cap assy, solo air spring and shaft bolt)
21	11.4018.010.140	Spring Internals Left Solo Air BLUTO 26 90 (includes top cap assy, bottomless tokens [qty 1], solo air spring and shaftbolt)
21	11.4018.010.141	Spring Internals Left Solo Air BLUTO 26 100 (includes top cap assy, bottomless tokens [qty 2], solo air spring and shaft bolt)
21	11.4018.010.142	Spring Internals Left Solo Air BLUTO 26 110 (includes top cap assy, bottomless tokens [qty 3], solo air spring and shaft bolt)
21	11.4018.010.143	Spring Internals Left Solo Air BLUTO 26 120 (includes top cap assy, bottomless tokens [qty 4], solo air spring and shaft bolt)
22	11.4018.026.013	Air Shaft Solo Air - Bluto (80mm 26)
22	11.4018.026.014	Air Shaft Solo Air - Bluto (90mm 26)
22	11.4018.026.015	Air Shaft Solo Air - Bluto (100mm 26)
22	11.4018.026.016	Air Shaft Solo Air - Bluto (110mm 26)
22	11.4018.026.017	Air Shaft Solo Air - Bluto (120mm 26)
23	00.4318.005.003	Axle Maxle Lite Front MTB, 15x150, Length 198mm, Thread Length 9mm, Thread Pitch M15x1.50 - Bluto A1
24	00.4318.005.020	Axle Maxle Stealth Front MTB, 15x150, Length 198mm, Thread Length 9mm, Thread Pitch M15x1.50 - Bluto
ns	11.4315.010.010	Lever/Wedge Kit, Rear Maxle Lite 135/150mm (axle body)/MaxleLite 15mm (front) - Black Lever 2010-2013
ns	11.4308.327.002	Schrader Valve Core Qty 2
25	00.4318.004.001	Remote Upgrade Kit - XLoc Full Sprint - Includes Motion Control X DNA comp damper, rear shock hydraulic hose, bleed syringes, Left, MMX, Black - SIDB (2011-2016)
25	00.4318.004.002	Remote Upgrade Kit - XLoc Full Sprint - Includes Motion Control X DNA comp damper, rear shock hydraulic hose, bleed syringes, Right, MMX, Black - SIDB (2011-2016)
26	00.4318.004.005	Remote Upgrade Kit - XLoc Sprint -Includes Motion Control XDNA comp damper, bleed syringes, Left, MMX, Black - SIDB (2011-2016)
26	00.4318.004.006	Remote Upgrade Kit - XLoc Sprint -Includes Motion Control XDNA comp damper, bleed syringes, Right, MMX, Black - SIDB (2011-2016)
FS	11.4018.052.000	Service Kit Full - Bluto A1
S	00.4315.032.490	AM Fork Service Kit, Basic (includes dust seals, foam rings,o-ring seals) - Bluto A1
ns	00.4315.023.010	High-Pressure Fork/Shock Pump (300 psi Max) RockShox
ns	00.4315.023.040	High-Pressure Fork/Shock Pump (300 psi Max) RockShox DigitalGauge
ns	00.4315.022.010	Schrader Valve Removal Tool Rockshox
ns	11.4318.003.418	Decal Kit Bluto RL/RCT3 26 Silver/Black Lower Leg A1
ns	11.4318.003.419	Decal Kit Bluto RL/RCT3 26 Silver/White Lower Leg A1
ns	11.4318.003.420	Decal Kit Bluto RL/RCT3 26 Silver/Diffusion Black Lower LegA1
bulk	11.4015.259.000	Crush Washer 8mm, Qty 50
bulk	11.4015.260.000	Crush Washer Retainer, Qty 50
bulk	11.4018.028.010	Dust Seal 32 X 41 Black - Bluto/RS1/ SID B1 (2017+)/32mm Boost Forks Qty 20 (flangeless)
bulk	11.4018.028.016	Dust Seal/Foam Ring Black 32mm Seal, 4mm Foam Ring - SID RLC A1/SID XX/RL B1 (2017+)
bulk	11.4015.496.010	Foam Ring 32mm x 5mm - SID A1-A3 /Reba A2-A3/Bluto A1 Qty 20
ns	11.4315.021.020	RockShox Suspension Oil, 5wt, 120ml Bottle - Fork Damper
ns	11.4015.354.010	RockShox Suspension Oil, 5wt, 1 Liter Bottle - Fork Damper
ns	11.4315.021.040	RockShox Suspension Oil, 15wt, 120ml Bottle - Lower Legs
ns	11.4015.354.030	RockShox Suspension Oil, 15wt, 1 Liter Bottle - Lower Legs
28	00.4318.012.001	Dust Seal Installation Tool Flangeless (32mm) - Bluto/RS1
ns	00.4318.008.000	Grease SRAM Butter 20ml Syringe, Friction Reducing Grease bySlickoleum - Recommended for X0/Rise XX/Roam 40, 30/Rail 40/Rise 60 B1/ Hub Pawls, RockShox Forks and Reverb Service
ns	00.4318.008.001	Grease SRAM Butter 1oz Container, Friction Reducing Grease by Slickoleum - Recommended for X0/Rise XX/Roam 40, 30/Rail 40/Rise 60 B1/ Hub Pawls, RockShox Forks and Reverb Service



Notes:

IMPORTANT - 2005-2008 Reba forks: Do not attempt to increase travel from 115mm to 120mm. 2009-2011 Reba CSU (27.8 inner tube diameter), lower leg, spring assembly and damper assemblies are NOT compatible with 2005-2008 Reba forks.

2012-2013 Reba (28.2 inner tube diameter)(also referred to as SIDB) chassis and internals are not compatible with 2005-2011 Reba forks. 2014 Reba CSU and Solo Air internals are not compatible with any 2005-2012 Reba.

1. Full service kits include replaceable o-rings, glide rings, retaining rings, crush washers, crush washer retainers and shaft bolts/nuts. All air service kits include replacement schrader valve cores. Not all service parts are pictured. All basic service kits include the following replaceable wear items: o-rings, glide rings, dust seals, and foam rings.

2. Rebound damper and spring shaft kits include crush washers, crush washer retainers and shaft bolts, as well as upper tube retaining rings and rebound adjuster knob.

3. Convert from Crown Adjust to Remote Adjust: Remote compression damper requires remote compression adjuster spool, cable clamp and remote lever assembly.

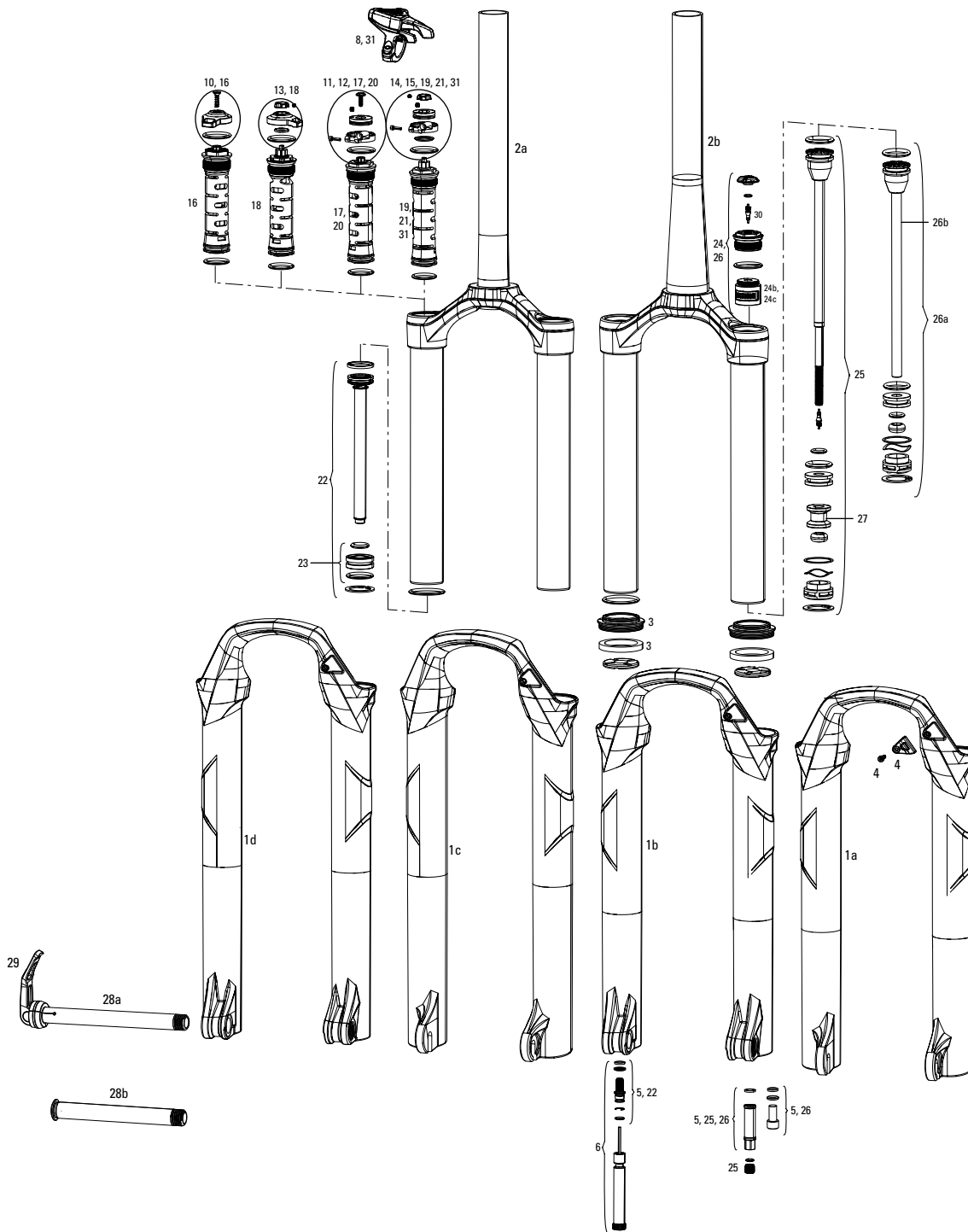
REBA (2009-2011)



No.	Part Number	Description
1a	11.4015.310.000	2009-2011 Reba, 2010 Tora/Recon XC/SL/Race, 2011 Recon (Silver/Gold) Lower Leg 26" White Disc 80mm-120mm
1a	11.4015.310.020	2009-2011 Reba, 2010 Tora/Recon XC/SL/Race, 2011 Recon (Silver/Gold) Lower Leg 26" Black Disc 80mm-120mm
ns	11.4015.310.120	2010 Tora/Recon (XC/SL/Race), 2011 Recon (Silver/Gold) LowerLeg 26" White Rim/Disc 80mm-120mm
ns	11.4015.310.140	2010 Tora/Recon (XC/SL/Race), 2011 Recon (Silver/Gold) LowerLeg 26" Black Rim/Disc 80mm-120mm
1b	11.4015.310.060	2009-2011 Reba, 2010 Tora/Recon XC/SL/Race, 2011 Recon (Silver/Gold) Lower Leg 26" 20mm Maxle White Disc 80mm-120mm
1b	11.4015.310.080	2009-2011 Reba, 2010 Tora/Recon XC/SL/Race, 2011 Recon (Silver/Gold) Lower Leg 26" 20mm Maxle Black Disc 80mm-120mm
1c	11.4015.310.030	2009-2011 Reba, 2010 Tora XC/SL, 2011 Recon Silver/Gold Lower Leg 29" White Disc 80mm-120mm
1c	11.4015.310.050	2009-2011 Reba, 2010 Tora XC/SL, 2011 Recon Silver/Gold Lower Leg 29" Black Disc 80mm-120mm
1d	11.4015.310.090	2009-2011 Reba, 2010 Tora XC/SL, 2011 Recon Silver/Gold Lower Leg 29" 20mm Maxle White Disc 80mm-120mm
1d	11.4015.310.110	2009-2011 Reba, 2010 Tora XC/SL, 2011 Recon Silver/Gold Lower Leg 29" 20mm Maxle Black Disc 80mm-120mm
2a	11.4015.432.010	CSU, Dual Air, 26", White, 80mm-120mm - 2009-2011 Reba (1 1/8")
2a	11.4015.432.020	CSU, Dual Air, 26", Black, 80mm-120mm - 2009-2011 Reba (1 1/8")
2a	11.4015.432.030	CSU, Air U-Turn, 26", White, 80mm-120mm - 2009-2011 Reba (11/8")
2a	11.4015.432.040	CSU, Air U-Turn, 26", Black, 80mm-120mm - 2009-2011 Reba (11/8")
2a	11.4015.432.050	CSU, Dual Air, 29", White, 80mm-120mm - 2009-2011 Reba (1 1/8")
2a	11.4015.432.060	CSU, Dual Air, 29", Black, 80mm-120mm - 2009-2011 Reba (1 1/8")
2a	11.4015.432.070	CSU, Air U-Turn, 29", White, 80mm-120mm - 2009-2011 Reba (11/8")
2a	11.4015.432.080	CSU, Air U-Turn, 29", Black, 80mm-120mm - 2009-2011 Reba (11/8")
2a	11.4015.432.090	CSU, Air Dual Air, 29" G2/51mm OS, White, 80mm-120mm - 2009-2011 Reba (1 1/8")
2a	11.4015.311.040	2009-2011 Reba Dual Air CSU 29" G2/51mm 80mm-120mm
2b	11.4015.432.100	CSU Tapered, Dual Air, 26", White, 80mm-120mm - 2009-2011 Reba (1.5" - 1 1/8")
2b	11.4015.432.110	CSU Tapered, Dual Air, 26", Black, 80mm-120mm - 2009-2011 Reba (1.5" - 1 1/8")
2b	11.4015.432.140	CSU Tapered, Air U-Turn, 26", White, 80mm-120mm - 2009-2011 Reba (1.5" - 1 1/8")
2b	11.4015.432.150	CSU Tapered, Air U-Turn, 26", Black, 80mm-120mm - 2009-2011 Reba (1.5" - 1 1/8")
2b	11.4015.432.120	CSU Tapered, Dual Air, 29", White, 80mm-120mm - 2009-2011 Reba (1.5" - 1 1/8")
2b	11.4015.432.130	CSU Tapered, Dual Air, 29", Black, 80mm-120mm - 2009-2011 Reba (1.5" - 1 1/8")
2b	11.4015.432.160	CSU Tapered, Air U-Turn, 29", White, 80mm-120mm - 2009-2011 Reba (1.5" - 1 1/8")
2b	11.4015.432.170	CSU Tapered, Air U-Turn, 29", Black, 80mm-120mm - 2009-2011 Reba (1.5" - 1 1/8")
2b	11.4015.432.190	CSU Tapered, Dual Air, 29", White, 140mm - 2011 Reba (1.5" - 1 1/8")
2b	11.4015.432.200	CSU Tapered, Dual Air, 29", Black, 140mm - 2011 Reba (1.5" - 1 1/8")
3	11.4310.290.000	Dust Seal/Foam Ring Grey 32mm Seal, 10mm Foam Ring-Revelation/Argyle/Sektor/Tora/Recon/XC32
4a	11.4015.292.000	Shaft Fastener Kit (rebound shaft bolt/dual air nut) - 2008-2016 SID/2009-2016 Reba
4b	11.4015.312.000	2009-2011 Reba 29" Shaft Fastener Kit (rebshaft bolt/dual air nut long)
5a	11.4310.645.000	Rebound Adjuster Knob/Bolt Kit, Aluminum Red, Short
5b	11.4015.404.010	Rebound Adjuster Knob/Bolt Kit, Aluminum Red Long (use withMaxle lower leg)
5c	11.4015.318.000	Rebound Damper Adjuster Knob Long/Bolt (Aluminum Red) - Tora/Recon/Reba/Revelation 27/29"
6	11.4308.848.000	PopLoc Lever Left (17mm cable pull, not compatible with 2013+ Motion Control)
6	11.4309.207.000	PopLoc Lever Right (17mm cable pull, not compatible with 2013+ Motion Control)
ns	11.4308.849.000	PopLoc Adjust Lever Left (17mm cable pull, not compatible with 2013+ Motion Control)
ns	11.4309.208.000	PopLoc Adjust Lever Right (17mm cable pull, not compatible with 2013+ Motion Control)
a	11.4015.314.000	Compression Knob (set screw)/Internal Floodgate Cap Aluminum, Motion Control - Reba Revelation (2009-2011)
b	11.4015.294.000	Compression Knob (set screw)/External Floodgate Adjuster Knob Alum, Motion Control - SID RLT (2009-2011)/Reba RLT (2011-2012)/Revelation RLT (2011-2012)
c	11.4015.294.010	Compression Knob (set screw)/Floodgate Adjuster Knob Carbon,Black Box Motion Control - SID/Reba (2009-2011)
d	11.4015.314.010	Compression Remote Spool 17mm (set screw)/Internal FloodgateCap/Cable Clamp Remote Aluminum, Motion Control - Reba Revelation (2009-2011)
e	11.4015.295.000	Compression Remote Spool 17mm (set screw)/External FloodgateAdj Knob/Cable Clamp, Motion Control-SIDRLT 09-11/RebaRLT 11-12/RevelationRLT 11-12 (not compatible w/13 PushLoc 10mm)
f	11.4015.295.010	Compression Remote Spool 17mm (set screw)/Floodgate AdjusterKnob/Cable Clamp, Black Box Motion Control - SID Reba 09-11(not compatible with 2013 PushLoc 10mm)
7	11.4015.547.020	Compression Knob Kit, Motion Control DNA - SID A RL/ Revelation RL A1-A3 (2012-2016)
8	11.4015.547.030	Compression Knob Kit, Motion Control DNA - SID A RLT/Revelation RLT A1-A3 (2012-2016)
9	11.4015.547.040	Remote Spool Kit 17mm (includes cable clamp), Motion ControlDNA - SID A RL/ Revelation RL A1-A2 (2012-2013)
10	11.4015.547.050	Remote Spool Kit 17mm (includes cable clamp), Motion ControlDNA - SID A RLT/ Revelation RLT A1-A2 (2012-2013)
11	11.4015.547.100	Knob Kit, Compression Damper, RCT3 - SID A/Revelation A1-A3, Bluto A1 (2012-2016)
12	11.4015.544.090	Compression Damper, Motion Control DNA, Crown Adjust - Revelation RL (includes compression knob) A1-A3 (2012-2016) Reba (2009-2011)
13	11.4015.544.100	Compression Damper, Motion Control DNA, Remote Adjust 17mm -Revelation RL (includes remote spool and cable clamp) A1-A2(2012-2013) Reba (2009-2011)
14	11.4015.544.110	Compression Damper, Motion Control DNA, Crown Adjust - Revelation RL (includes compression knob) A1-A3 (2012-2016) Reba (2009-2011)
15	11.4015.544.120	Compression Damper, Motion Control DNA, Remote Adjust 17mm -Revelation RLT (includes remote spool and cable clamp) A1-A2(2012-2013) Reba (2009-2011)
16	11.4015.544.130	Compression Damper, Motion Control DNA, Crown Adjust - Revelation RCT3 (includes compression knobs) A1-A2 (2012-2013) Reba (2009-2011)
16	11.4015.544.290	Compression Damper, Motion Control DNA, Crown Adjust - Revelation RCT3 Black (includes compression knobs) A3 (2014-2016) Reba (2009-2011)
16	11.4015.544.300	Compression Damper, Motion Control DNA, Crown Adjust - Revelation RCT3 Silver (includes compression knobs) A3 (2014-2016) Reba (2009-2011)
17	11.4015.544.200	Compression Damper, Motion Control DNA, Crown Adjust - Revelation RCT3 (includes compression knobs) A1-A2 (2012-2013) Reba (2009-2011)
ns	11.4315.011.030	ROCKSHOX Bleed Kit (XLoc/Totem) Qty 2 (includes two syringesand fittings, one torx tool)
25	11.4015.317.000	Rebound Damper/Seal Head Assembly, Motion Control, 26"/29", 80mm-120mm - Reba (2009-2011)
26	11.4015.317.010	Rebound Damper/Seal Head Assembly, Black Box Motion Control,26"/29", 80mm-120mm - Reba (2009-2011)
26	11.4015.545.030	Rebound Damper and Seal Head Assembly/Shaft Bolt (150mm maxtravel) -Revelation 26", 27.5"/650B, 29" 2010-2013
27	11.4015.353.010	Seal Head Assembly (Rebound Damper, Motion Control) 32mm - SIDA 2009-2014, SIDB 2011-2013, Reba 2009-present, Revelation2009-2013, Bluto RL 2015-present
28	11.4018.012.006	Air Top Cap, Reba/SID/Revelation/RS1/Bluto/Argyle RCT Black(32mm aluminum upper tubes only, Bottomless Token compatible)
29	11.4015.313.000	2009-2011 Reba Dual Air Spring Assembly 26" (80mm-120mm)
29	11.4015.313.010	2009-2011 Reba Dual Air Spring Assembly 29" (80mm-120mm)
29	11.4015.313.020	Dual Air Spring Assembly 29" (140mm) - 2011 Reba (use only with Tapered 140mm Reba CSU)
30	11.4015.450.000	All-Travel Spacer Kit (not compatible with SID/Reba/Revelation Solo Air Spring)



No.	Part Number	Description
ns	11.4015.320.000	2009-2011 Reba Service Kit (DualAir/MotionControl)
31	11.4309.009.000	2005-11 Reba/2005-10Pike/06-09 Revelation Air U-Turn Top CapKit
32	11.4309.006.000	2005-11 Reba/2005-10Pike/06-09 Revelation Air U-Turn Upper Air Spring Assembly
33	11.4015.348.000	2009-2011 Reba Air U-Turn Air Tube
ns	11.4015.263.000	05-11 Reba/06-09 Revelation/05-10 Pike Air U-Turn Service Kit
35	00.4315.013.010	Axle Maxle Lite Front MTB 20x110 Length 158mm Thread Length9mm Thread Pitch M20x2.0 - 32mm Chassis (2011-2016)
36	11.4311.722.020	Lever/Wedge Kit, Maxle Lite 20mm (32mm/35mm/40mm) 2011
bulk	11.4015.259.000	Crush Washer 8mm, Qty 50
bulk	11.4015.260.000	Crush Washer Retainer, Qty 50
bulk	11.4018.028.003	Dust Seal 32mm Black - SID/Reba/Revelation A3 Qty 20 (flanged)
bulk	11.4310.698.000	Foam Ring 32mm x 10mm - Revelation/Argyle/Sektor/Tora/Recon/XC32 Qty 20
42	11.4308.327.002	Schrader Valve Core Qty 2
ns	11.4309.073.000	Kit Disk Brake Cable Accessory
ns	00.4315.023.010	High-Pressure Fork/Shock Pump (300 psi Max) RockShox
ns	00.4315.023.040	High-Pressure Fork/Shock Pump (300 psi Max) RockShox DigitalGauge
ns	00.4315.022.010	Schrader Valve Removal Tool Rockshox
ns	11.4308.722.000	Dust/Oil Seal Install Tool (32mm)
ns	11.4315.021.020	RockShox Suspension Oil, 5wt, 120ml Bottle - Fork Damper
ns	11.4015.354.010	RockShox Suspension Oil, 5wt, 1 Liter Bottle - Fork Damper
ns	11.4315.021.040	RockShox Suspension Oil, 15wt, 120ml Bottle - Lower Legs
ns	11.4015.354.030	RockShox Suspension Oil, 15wt, 1 Liter Bottle - Lower Legs
ns	00.4318.008.000	Grease SRAM Butter 20ml Syringe, Friction Reducing Grease bySlickoleum - Recommended for X0/Rise XX/Roam 40, 30/Rail 40/Rise 60 B1/ Hub Pawls, RockShox Forks and Reverb Service
ns	00.4318.008.001	Grease SRAM Butter 1oz Container, Friction Reducing Grease by Slickoleum - Recommended for X0/Rise XX/Roam 40, 30/Rail 40/Rise 60 B1/ Hub Pawls, RockShox Forks and Reverb Service



Notes:

IMPORTANT - 2012-2016 Reba CSU (28.2 inner tube diameter), lower leg, spring assembly and damper assemblies are NOT compatible with 2005-2011 Reba (27.8 inner tube diameter) forks. Dual Air CSU and Dual Air spring assemblies are NOT compatible with Solo Air CSU and Solo Air spring assemblies.

1. Full service kits include replaceable o-rings, glide rings, retaining rings, crush washers, crush washer retainers and shaft bolts/nuts. All air service kits include replacement schrader valve cores. Not all parts service parts are pictured. All basic service kits include the following replaceable wear items: o-rings, glide rings, dust seals, and foam rings.
2. Convert from Crown Adjust to Remote Adjust: Remote compression damper requires remote compression adjuster spool, cable clamp and remote lever assembly.
3. Solo Air internals require Solo Air CSU; Solo Air internals are not compatible with Dual Air CSU. Dual Air internals require Dual Air CSU; Dual Air internals are not compatible with Solo Air CSU.

REBA (A1-A5/2012-2017)



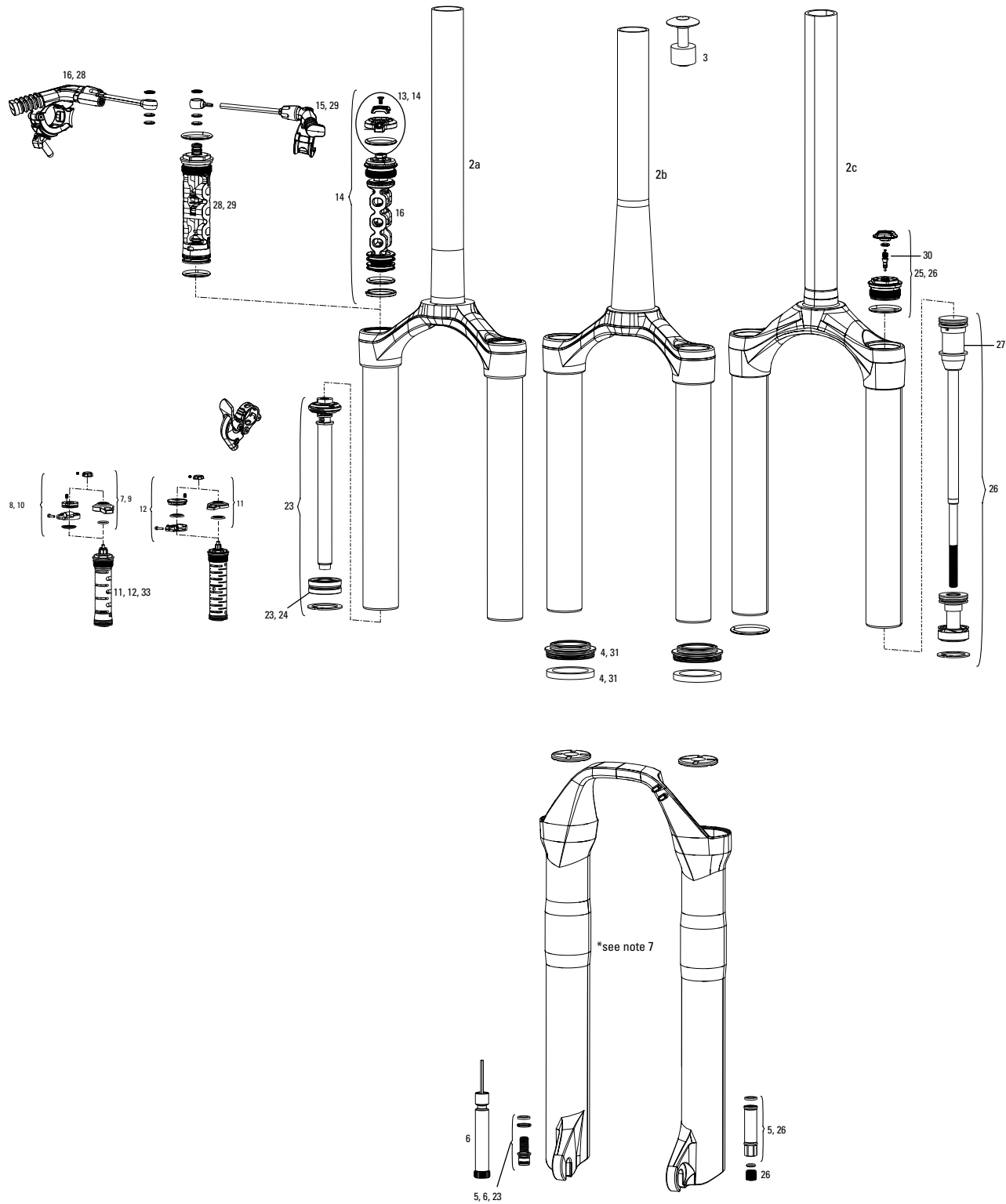
No.	Part Number	Description
1a	11.4018.006.160	Lower Leg SID/Reba 26Q Disc Black (decals not included) A1-A3 (Sid 2011-2016, Reba 2012-2016)
1a	11.4018.006.161	Lower Leg SID/Reba 26Q Disc White (decals not included) A1-A3 (Sid 2011-2016, Reba 2012-2016)
1a	11.4018.006.162	Lower Leg SID/Reba 26Q Disc Diffusion Black (decals not included) A1-A3 (Sid 2011-2016, Reba 2012-2016)
1b	11.4018.006.163	Lower Leg SID/Reba 2615 Disc Black (decals not included) A1-A3 (Sid 2011-2016, Reba 2012-2016)
1b	11.4018.006.164	Lower Leg SID/Reba 2615 Disc White (decals not included) A1-A3 (Sid 2011-2016, Reba 2012-2016)
1b	11.4018.006.165	Lower Leg SID/Reba 2615 Disc Diffusion Black (decals not included) A1-A3 (Sid 2011-2016, Reba 2012-2016)
1c	11.4018.006.166	Lower Leg SID/Reba 27.5/650B QR Disc Black (decals not included) A1-A3 (Sid 2011-2016, Reba 2012-2016)
1c	11.4018.006.167	Lower Leg SID/Reba 27.5/650B QR Disc White (decals not included) A1-A3 (Sid 2011-2016, Reba 2012-2016)
1c	11.4018.006.168	Lower Leg SID/Reba 27.5/650B QR Disc Diffusion Black (decalsnot included) A1-A3 (Sid 2011-2016, Reba 2012-2016)
1c	11.4018.006.172	Lower Leg SID/Reba 29Q Disc Black (decals not included) A1-A3 (Sid 2011-2016, Reba 2012-2016)
1c	11.4018.006.173	Lower Leg SID/Reba 29Q Disc White (decals not included) A1-A3 (Sid 2011-2016, Reba 2012-2016)
1c	11.4018.006.174	Lower Leg SID/Reba 29Q Disc Diffusion Black (decals not included) A1-A3 (Sid 2011-2016, Reba 2012-2016)
1d	11.4018.006.169	Lower Leg SID/Reba 27.5/650B, Maxle 15 Disc Black (decals not included) A1-A3 (Sid 2011-2016, Reba 2012-2016)
1d	11.4018.006.170	Lower Leg SID/Reba 27.5/650B, Maxle 15 Disc White (decals not included) A1-A3 (Sid 2011-2016, Reba 2012-2016)
1d	11.4018.006.171	Lower Leg SID/Reba 27.5/650B, Maxle 15 Disc Diffusion Black(decals not included) A1-A3 (Sid 2011-2016, Reba 2012-2016)
1d	11.4018.006.175	Lower Leg SID/Reba 2915 Disc Black (decals not included) A1-A3 (Sid 2011-2016, Reba 2012-2016)
1d	11.4018.006.176	Lower Leg SID/Reba 2915 Disc White (decals not included) A1-A3 (Sid 2011-2016, Reba 2012-2016)
1d	11.4018.006.177	Lower Leg SID/Reba 2915 Disc Diffusion Black (decals not included) A1-A3 (Sid 2011-2016, Reba 2012-2016)
1d	11.4018.006.231	Lower Leg SID/Reba 29"/27.5" + Boost Compatible 15X110 Disc Black (decals not included)
1d	11.4018.006.232	Lower Leg SID/Reba 29"/27.5" + Boost Compatible 15X110 Disc White (decals not included)
1d	11.4018.006.233	Lower Leg SID/Reba 29"/27.5" + Boost Compatible 15X110 Disc Diffusion Black (decals not included)
2a	11.4015.543.010	CSU Dual Air 26" Black Aluminum Steerer 1 1/8" - 2012 Reba (Dual Air only, not compatible with Solo Air)
2a	11.4015.543.020	CSU Dual Air 26" White Aluminum Steerer 1 1/8" - 2012 Reba (Dual Air only, not compatible with Solo Air)
2a	11.4015.543.030	CSU Dual Air 26" Diffusion Black Aluminum Steerer 1 1/8" - 2012 Reba (Dual Air only, not compatible with Solo Air)
2a	11.4015.543.070	CSU Dual Air 29" Black Aluminum Steerer 1 1/8" - 2012 Reba (Dual Air only, not compatible with Solo Air)
2a	11.4015.543.080	CSU Dual Air 29" White Aluminum Steerer 1 1/8" - 2012 Reba (Dual Air only, not compatible with Solo Air)
2a	11.4015.543.090	CSU Dual Air 29" Diffusion Black Aluminum Steerer 1 1/8" - 2012 Reba (Dual Air only, not compatible with Solo Air)
2a	11.4015.543.130	CSU Dual Air 12 Reba 29 Aluminum Black 32mm 510S 1 1/8 (DualAir only, not compatible with Solo Air)
2a	11.4015.543.140	CSU Dual Air 12 Reba 29 Aluminum White 32mm 510S 1 1/8 (DualAir only, not compatible with Solo Air)
2b	11.4015.543.040	CSU Dual Air 26" Black Aluminum Steerer Tapered - 2012 Reba(Dual Air only, not compatible with Solo Air)
2b	11.4015.543.050	CSU Dual Air 26" White Aluminum Steerer Tapered - 2012 Reba(Dual Air only, not compatible with Solo Air)
2b	11.4015.543.060	CSU Dual Air 26" Diffusion Black Aluminum Steerer Tapered -2012 Reba (Dual Air only, not compatible with Solo Air)
2b	11.4015.543.100	CSU Dual Air 29" Black Aluminum Steerer Tapered - 2012 Reba(Dual Air only, not compatible with Solo Air)
2b	11.4015.543.110	CSU Dual Air 29" White Aluminum Steerer Tapered - 2012 Reba(Dual Air only, not compatible with Solo Air)
2b	11.4015.543.120	CSU Dual Air 29" Diffusion Black Aluminum Steerer Tapered -2012 Reba (Dual Air only, not compatible with Solo Air)
2a	11.4018.008.244	CSU SID/Reba Solo Air 26 Aluminum 11/8 Black (with Black Upper Tubes) A2-A3 (2013-2016)
2a	11.4018.008.245	CSU SID/Reba Solo Air 26 Aluminum 11/8 White (with Black Upper Tubes) A2-A3 (2013-2016)
2a	11.4018.008.246	CSU SID/Reba Solo Air 26 Aluminum 11/8 Diffusion Black (withBlack Upper Tubes) A2-A3 (2013-2016)
2b	11.4018.008.247	CSU SID/Reba Solo Air 26 Aluminum Taper Black (with Black Upper Tubes) A2-A3 (2013-2016)
2b	11.4018.008.248	CSU SID/Reba Solo Air 26 Aluminum Taper White (with Black Upper Tubes) A2-A3 (2013-2016)
2b	11.4018.008.249	CSU SID/Reba Solo Air 26 Aluminum Taper Diffusion Black (with Black Upper Tubes) A2-A3 (2013-2016)
2b	11.4018.008.252	CSU SID/Reba Solo Air 27.5 Aluminum Taper Black (with BlackUpper Tubes) A2-A3 (2013-2016)
2b	11.4018.008.253	CSU SID/Reba Solo Air 27.5 Aluminum Taper White (with BlackUpper Tubes) A2-A3 (2013-2016)
2b	11.4018.008.254	CSU SID/Reba Solo Air 27.5 Aluminum Taper Diffusion Black (with Black Upper Tubes) A2-A3 (2013-2016)
2a	11.4018.008.404	CSU SID/Reba Solo Air 27.5 Aluminum 1 1/8 Black (with BlackUpper Tubes) A2-A3 (2013-2016)
2a	11.4018.008.405	CSU SID/Reba Solo Air 27.5 Aluminum 1 1/8 White (with BlackUpper Tubes) A2-A3 (2013-2016)
2a	11.4018.008.406	CSU SID/Reba Solo Air 27.5 Aluminum 1 1/8 Diffusion Black (with Black Upper Tubes) A2-A3 (2013-2016)
2a	11.4018.008.255	CSU SID/Reba Solo Air 29 46 Off-Set Aluminum 11/8 Black (with Black Upper Tubes) A2-A3 (2013-2016)
2a	11.4018.008.256	CSU SID/Reba Solo Air 29 46 Off-Set Aluminum 11/8 White (with Black Upper Tubes) A2-A3 (2013-2016)
2a	11.4018.008.257	CSU SID/Reba Solo Air 29 46 Off-Set Aluminum 11/8 DiffusionBlack (with Black Upper Tubes) A2-A3 (2013-2016)
2a	11.4018.008.258	CSU SID/Reba Solo Air 29 51 Off-Set Aluminum 11/8 Black (with Black Upper Tubes) A2-A3 (2013-2016)
2a	11.4018.008.259	CSU SID/Reba Solo Air 29 51 Off-Set Aluminum 11/8 White (with Black Upper Tubes) A2-A3 (2013-2016)
2a	11.4018.008.260	CSU SID/Reba Solo Air 29 51 Off-Set Aluminum 11/8 DiffusionBlack (with Black Upper Tubes) A2-A3 (2013-2016)
2b	11.4018.008.261	CSU SID/Reba Solo Air 29 46 Off-Set Aluminum Taper Black (with Black Upper Tubes) A2-A3 (2013-2016)
2b	11.4018.008.262	CSU SID/Reba Solo Air 29 46 Off-Set Aluminum Taper White (with Black Upper Tubes) A2-A3 (2013-2016)
2b	11.4018.008.263	CSU SID/Reba Solo Air 29 46 Off-Set Aluminum Taper DiffusionBlack (with Black Upper Tubes) A2-A3 (2013-2016)
2b	11.4018.008.266	CSU SID/Reba Solo Air 29 51 Off-Set Aluminum Taper Black (with Black Upper Tubes) A2-A3 (2013-2016)
2b	11.4018.008.267	CSU SID/Reba Solo Air 29 51 Off-Set Aluminum Taper White (with Black Upper Tubes) A2-A3 (2013-2016)
2b	11.4018.008.268	CSU SID/Reba Solo Air 29 51 Off-Set Aluminum Taper DiffusionBlack (with Black Upper Tubes) A2-A3 (2013-2016)
2c	11.4018.008.250	CSU SID/Reba Solo Air 26 Carbon Taper Black (with Black Upper Tubes) A2-A3 (2013-2016)
2c	11.4018.008.251	CSU SID/Reba Solo Air 26 Carbon Taper Diffusion Black (withBlack Upper Tubes) A2-A3 (2013-2016)
2c	11.4018.008.264	CSU SID/Reba Solo Air 29 46 Off-Set Carbon Taper Black (withBlack Upper Tubes) A2-A3 (2013-2016)
2c	11.4018.008.265	CSU SID/Reba Solo Air 29 46 Off-Set Carbon Taper Diffusion Black (with Black Upper Tubes) A2-A3 (2013-2016)
2c	11.4018.008.269	CSU SID/Reba Solo Air 29 51Off-Set Carbon Taper Black (withBlack Upper Tubes) A2-A3 (2013-2016)
2c	11.4018.008.270	CSU SID/Reba Solo Air 29 51Off-Set Carbon Taper Diffusion Black (with Black Upper Tubes) A2-A3 (2013-2016)
ns	11.4018.008.271	CSU SID/Reba Solo Air 29 46 Off-Set Aluminum T2-Overdrive Drive 2 Black (with Black Upper Tubes) A2-A3 (2013-2016)
ns	11.4018.008.272	CSU SID/Reba Solo Air 29 46 Off-Set Aluminum T2-Overdrive Drive 2 White (with Black Upper Tubes) A2-A3 (2013-2016)
ns	11.4018.008.273	CSU SID/Reba Solo Air 29 46 Off-Set Aluminum T2-Overdrive Drive 2 Diffusion Black (with Black Upper Tubes) A2-A3 (2013-2016)
2c	11.4018.008.407	CSU SID/Reba Solo Air SID/Reba 29"/27.5" + Boost Compatible 15X110 51 Off-Set Aluminum Taper Black
2c	11.4018.008.408	CSU SID/Reba Solo Air SID/Reba 29"/27.5" + Boost Compatible 15X110 51 Off-Set Aluminum Taper White
2c	11.4018.008.409	CSU SID/Reba Solo Air SID/Reba 29"/27.5" + Boost Compatible 15X110 51 Off-Set Aluminum Taper Diffusion Black
3	11.4018.028.001	Dust Seal/Foam Ring Black 32mm Seal, 5mm Foam Ring - SID A1-A3/Reba A1-A4 (flanged)
4	11.4015.534.010	Hydraulic Hose Clamp, Lower Leg
5	11.4015.292.000	Shaft Fastener Kit (rebound shaft bolt/dual air nut) - 2008-2016 SID/2009-2016 Reba
6	11.4015.293.000	Rebound Damper Adjuster Knob/Shaft Bolt Kit - 2008-2016 SID/2012-2016 Reba
ns	11.4308.848.000	PopLoc Lever Left (17mm cable pull, not compatible with 2013+ Motion Control)
ns	11.4309.207.000	PopLoc Lever Right (17mm cable pull, not compatible with 2013+ Motion Control)
ns	11.4308.849.000	PopLoc Adjust Lever Left (17mm cable pull, not compatible with 2013+ Motion Control)
ns	11.4309.208.000	PopLoc Adjust Lever Right (17mm cable pull, not compatible with 2013+ Motion Control)
8	00.4318.002.009	Remote - OneLoc Left/above, Right/below 10mm, Remote Only (includes remote, cable&housing)-SID,Reba,Revelation,Bluto,Sektor,ReconGold(2013-2017)
8	00.4318.002.010	Remote - OneLoc Right/above, Left/below 10mm, Remote Only (includes remote, cable&housing)-SID,Reba,Revelation,Bluto,Sektor,ReconGold(2013-2017)
10	11.4015.461.010	Compression Damper Adjuster Knob Kit (Motion Control Crown Adjust) w/ screw - Reba RL (2012-2016)/Recon, Sektor Gold (2011-2016)
11	11.4015.461.020	Compression Damper Remote Spool/Clamp Kit (Motion Control Remote) w/screw Reba RL (2012-2016)/Recon, Sektor Gold (2011-2016)
12	11.4018.011.002	Remote Spool/Cable Clamp Kit Recon Gold TKRL/Sektor TKRL/Reba RL (10mm Pull 2013+ Damper/PushLoc and OneLoc) 2013-2016
13	11.4015.294.000	Compression Knob (set screw)/External Floodgate Adjuster Knob Alum, Motion Control - SID RLT (2009-2011)/Reba RLT (2011-2012)/Revelation RLT (2011-2012)
14	11.4015.295.000	Compression Remote Spool 17mm (set screw)/External FloodgateAdj Knob/Cable Clamp, Motion Control-SIDRLT 09-11/RebaRLT 11-12/RevelationRLT 11-12 (not compatible w/13 PushLoc 10mm)
15	11.4018.011.004	Remote Spool/Cable Clamp Kit Reba RLT (10mm Pull 2013+ Damper/PushLoc and OneLoc) 2013-2016
16	11.4015.544.010	Compression Damper, Crown Adjust, Motion Control DNA (includes comp knob) - SID/Reba RL (120mm only) A1-A3 2012-2016
17	11.4015.544.020	Compression Damper, Remote Adjust 17mm, Motion Control DNA (includes remote spool and cable clamp) - SIDB/Reba RL (120mmonly) A1-A3 (2012-2016)
18	11.4015.544.050	Compression Damper, Crown Adjust, Motion Control DNA (includes comp and floodgate knobs) - SIDB/Reba RLT (120mm only) A1A3 (2012-2016)

REBA (A1-A5/2012-2017)



No.	Part Number	Description
19	11.4015.544.060	Compression Damper, Remote Adjust 17mm, Motion Control DNA Threshold (includes remote spool, cable clamp and floodgate knob) - SIDB/Reba RLT (120mm only) A1-A3 (2012-2016)
20	11.4015.544.210	Compression Damper, Remote Adjust 10mm, Motion Control DNA, Silver-SIDB/Reba RL (includes spool & cable clamp; compatible with 2013-2015 PushLoc and OneLoc) A2-A3 (2013-2016)
20	11.4015.544.230	Compression Damper, Remote Adjust 10mm, Motion Control DNA, Black-SIDB/Reba RL (includes spool & cable clamp; compatible with 2013-2015 PushLoc and OneLoc) A2-A3 (2013-2016)
21	11.4015.544.220	Compression Damper, Remote Adjust 10mm, Motion Control DNA, Silver-SIDB/Reba RLT (includes spool & cable clamp; compatible with 2013-2015 PushLoc and OneLoc) A2-A3 (2013-2016)
21	11.4015.544.240	Compression Damper, Remote Adjust 10mm, Motion Control DNA, Black-SIDB/Reba RLT (includes spool & cable clamp; compatible with 2013-2015 PushLoc and OneLoc) A2-A3 (2013-2016)
22	11.4015.549.010	Rebound Damper and Seal Head Assembly/Shaft Bolt (120mm max travel) - Reba/SIDB 26" (120mm chassis only) A1-A3 (2012-2014)
22	11.4015.549.020	Rebound Damper and Seal Head Assembly/Shaft Bolt (100mm max travel) - Reba/SIDB 26" (120mm chassis only) A1-A3 (2012-2014)
22	11.4018.025.000	Rebound Damper and Seal Head Assembly/Shaft Bolt - Reba 27.5/29 A1-A3 (2012-2014)
22	11.4018.025.011	Rebound Damper and Seal Head Assembly/Shaft Bolt - Rapid Recovery Reba 27/29, Bluto 26 A1-A3
22	11.4018.025.012	Rebound Damper and Seal Head Assembly/Shaft Bolt - Rapid Recovery Reba 26 A1-A3
23	11.4015.353.010	Seal Head Assembly (Rebound Damper, Motion Control) 32mm - SIDA 2009-2014, SIDB 2011-2013, Reba 2009-present, Revelation 2009-2013, Bluto RL 2015-present
24	11.4018.012.006	Air Top Cap, Reba/SID/Revelation/RS1/Bluto/Argyle RCT Black (32mm aluminum upper tubes only, Bottomless Token compatible)
24b	11.4018.032.002	Bottomless Tokens/Air Cap Kit 32mm (includes 5 tokens/32mm internally threaded air cap) - Reba/SID/Revelation/RS1/Bluto/Argyle RCT Solo Air
24c	11.4018.032.003	Bottomless Tokens Qty 5 32mm SID/Reba/Revelation/RS1/Bluto/Argyle RCT Solo Air
25	11.4015.546.040	Spring Assembly (Dual Air) and Air Top Cap Kit (120mm max travel) - 2012 Reba/SIDB 26" (120mm chassis only; not compatible with 2013 Solo Air CSU)
25	11.4015.546.050	Spring Assembly (Dual Air) and Air Top Cap Kit (110mm max travel) - 2012 Reba/SIDB 29" (120mm chassis only; not compatible with 2013 Solo Air CSU)
26a	11.4018.010.046	Spring Internals Left Solo Air Reba/SIDB 27.5/650b, 29 120 Black (includes air top cap, solo air spring and shaft bolt; not compatible with Dual Air CSU) A2-A3
26a	11.4018.010.119	Spring Internals Left Solo Air 13 Reba/SIDB 29 110 Black (includes air top cap, 1 bottomless token, solo air spring and shaft bolt; not compatible with Dual Air CSU)
26a	11.4018.010.120	Spring Internals Left Solo Air 13 Reba/SIDB 27.5/650b, 29 100 Black (includes air top cap, 2 bottomless tokens, solo air spring and shaft bolt; not compatible with Dual Air CSU)
26a	11.4018.010.121	Spring Internals Left Solo Air 13 Reba/SIDB 29 95 Black (includes air top cap, 2 bottomless tokens, solo air spring and shaft bolt; not compatible with Dual Air CSU)
26a	11.4018.010.122	Spring Internals Left Solo Air 13 Reba/SIDB 29 90 Black (includes air top cap, 3 bottomless tokens, solo air spring and shaft bolt; not compatible with Dual Air CSU)
26a	11.4018.010.123	Spring Internals Left Solo Air 13 Reba/SIDB 29 80 Black (includes air top cap, 4 bottomless tokens, solo air spring and shaft bolt; not compatible with Dual Air CSU)
26a	11.4018.010.056	Spring Internals Left Solo Air Reba/SIDB 26 120 Black (includes air top cap, solo air spring and shaft bolt; not compatible with Dual Air CSU) A2-A3
26a	11.4018.010.124	Spring Internals Left Solo Air 13 Reba/SIDB 26 110 Black (includes air top cap, 1 bottomless token, solo air spring and shaft bolt; not compatible with Dual Air CSU)
26a	11.4018.010.125	Spring Internals Left Solo Air 13 Reba/SIDB 26 100 Black (includes air top cap, 2 bottomless tokens, solo air spring and shaft bolt; not compatible with Dual Air CSU)
26a	11.4018.010.126	Spring Internals Left Solo Air 13 Reba/SIDB 26 90 Black (includes air top cap, 3 bottomless tokens, solo air spring and shaft bolt; not compatible with Dual Air CSU)
26a	11.4018.010.127	Spring Internals Left Solo Air 13 Reba/SIDB 26 80 Black (includes air top cap, 4 bottomless tokens, solo air spring and shaft bolt; not compatible with Dual Air CSU)
26b	11.4018.021.000	Air Shaft Reba/SIDB 120mm travel 27.5"/(29"-A3) (can be used to change travel to 120mm on 27.5"/(29" 2014/A3) Solo Air, not compatible with pre 2014/A3 29" or Dual Air)
26b	11.4018.021.001	Air Shaft Reba/SIDB 110mm travel 27.5"/29" (can be used to change travel to 110mm on 27.5"/29" Solo Air, not compatible with Dual Air)
26b	11.4018.021.002	Air Shaft Reba/SIDB 100mm travel 27.5"/29" (can be used to change travel to 100mm on 27.5"/29" Solo Air, not compatible with Dual Air)
26b	11.4018.021.010	Air Shaft Reba/SIDB 95mm travel 27.5"/29" (can be used to change travel to 95mm on 27.5"/29" Solo Air, not compatible with Dual Air)
26b	11.4018.021.003	Air Shaft Reba/SIDB 90mm travel 27.5"/29" (can be used to change travel to 90mm on 27.5"/29" Solo Air, not compatible with Dual Air)
26b	11.4018.021.004	Air Shaft Reba/SIDB 80mm travel 27.5"/29" (can be used to change travel to 80mm on 27.5"/29" Solo Air, not compatible with Dual Air)
26b	11.4018.021.005	Air Shaft Reba/SIDB/RS1 120mm travel (can be used to change travel to 120mm on RS1/SIDB & Reba 26" Solo Air, not compatible with Dual Air)
26b	11.4018.021.006	Air Shaft Reba/SIDB/RS1 110mm travel (can be used to change travel to 110mm on RS1/SIDB & Reba 26" Solo Air, not compatible with Dual Air)
26b	11.4018.021.007	Air Shaft Reba/SIDB/RS1 100mm travel (can be used to change travel to 100mm on RS1/SIDB & Reba 26" Solo Air, not compatible with Dual Air)
26b	11.4018.021.008	Air Shaft Reba/SIDB/RS1 90mm travel (can be used to change travel to 90mm on RS1/SIDB & Reba 26" Solo Air, not compatible with Dual Air)
26b	11.4018.021.009	Air Shaft Reba/SIDB/RS1 80mm travel (can be used to change travel to 80mm on RS1/SIDB & Reba 26" Solo Air, not compatible with Dual Air)
27	11.4015.450.000	All-Travel Spacer Kit (not compatible with SID/Reba/Revelation Solo Air Spring)
28a	00.4318.005.002	Axle Maxle Lite Front MTB, 15x100, Length 148mm, Thread Length 9mm, Thread Pitch M15x1.50 - SID/Reba/Revelation/Recon/Sektor/XC32
28a	00.4318.005.004	Axle Maxle Lite Front MTB, 15x110, Length 158mm, Thread Length 9mm, Thread Pitch M15x1.50 Boost Compatible - SID/Reba
28b	00.4318.005.018	Axle Maxle Stealth Front MTB, 15x100, Length 148mm, Thread Length 9mm, Thread Pitch M15x1.50 (not compatible with RS-1) Standard
28b	00.4318.005.019	Axle Maxle Stealth Front MTB, 15x110, Length 158mm, Thread Length 9mm, Thread Pitch M15x1.50 - Boost Compatible
29	11.4318.004.001	Maxle Lite 15mm XC Lever Assembly
ns	11.4315.010.010	Lever/Wedge Kit, Rear Maxle Lite 135/150mm (axle body)/Maxle Lite 15mm (front) - Black Lever 2010-2013
30	11.4308.327.002	Schrader Valve Core Qty 2
see SID B	00.4318.004.001	Remote Upgrade Kit - XLoc Full Sprint - Includes Motion Control X DNA comp damper, rear shock hydraulic hose, bleed syringes, Left, MMX, Black - SIDB (2011-2016)
see SID B	00.4318.004.002	Remote Upgrade Kit - XLoc Full Sprint - Includes Motion Control X DNA comp damper, rear shock hydraulic hose, bleed syringes, Right, MMX, Black - SIDB (2011-2016)
see SID B	00.4318.004.005	Remote Upgrade Kit - XLoc Sprint - Includes Motion Control X DNA comp damper, bleed syringes, Left, MMX, Black - SIDB (2011-2016)
see SID B	00.4318.004.006	Remote Upgrade Kit - XLoc Sprint - Includes Motion Control X DNA comp damper, bleed syringes, Right, MMX, Black - SIDB (2011-2016)
see SID B	11.4018.060.000	Banjo/Hose/Hose Barb kit (includes retaining ring, banjo O-rings and hose barb O-ring) - XLoc
ns	00.4315.032.080	AM Fork Service Kit, Basic (includes dust seals, foam rings, o-ring seals) - Reba (2012-2014) and SID (2012-2014)
ns	00.4315.032.420	AM Fork Service Kit, Basic (includes dust seals, foam rings, o-ring seals) - Reba A3 (2014-2016)
ns	11.4015.494.000	SID Service Kit (120mm) Dual Air
ns	11.4018.018.001	Service Kit Full (includes solo air and damper seals, hardware & Black Seals) - SID/Reba Solo Air A2-A3 (2013-2016)
ns	00.4315.023.010	High-Pressure Fork/Shock Pump (300 psi Max) RockShox
ns	00.4315.023.040	High-Pressure Fork/Shock Pump (300 psi Max) RockShox Digital Gauge
ns	00.4315.022.010	Schrader Valve Removal Tool Rockshox
ns	11.4308.722.000	Dust/Oil Seal Install Tool (32mm)
ns	11.4318.003.421	Decal Kit Reba 26/27.5/29, 2927+ Silver/Black Lower Leg A3
ns	11.4318.003.422	Decal Kit Reba 26/27.5/29, 2927+ Silver/White Lower Leg A3
ns	11.4318.003.423	Decal Kit Reba 26/27.5/29, 2927+ Silver/Diffusion Black Lower Leg A3
bulk	11.4015.259.000	Crush Washer 8mm, Qty 50
bulk	11.4015.260.000	Crush Washer Retainer, Qty 50
bulk	11.4018.028.003	Dust Seal 32mm Black - SID/Reba/Revelation A3 Qty 20 (flanged)
bulk	11.4310.697.000	Foam Ring 32mm x 3.5mm - SID/Reba/Pike 2005-2006 Qty 20
bulk	11.4018.028.015	Foam Ring 32mm x 4mm Qty 20 - SID RLC A1/SID XX/RL B1 (2017+)
bulk	11.4018.028.016	Dust Seal/Foam Ring Black 32mm Seal, 4mm Foam Ring - SID RLC A1/SID XX/RL B1 (2017+)
ns	11.4315.021.020	RockShox Suspension Oil, 5wt, 120ml Bottle - Fork Damper
ns	11.4015.354.010	RockShox Suspension Oil, 5wt, 1 Liter Bottle - Fork Damper
ns	11.4315.021.040	RockShox Suspension Oil, 15wt, 120ml Bottle - Lower Legs
ns	11.4015.354.030	RockShox Suspension Oil, 15wt, 1 Liter Bottle - Lower Legs
ns	00.4318.008.000	Grease SRAM Butter 20ml Syringe, Friction Reducing Grease by Slickoleum - Recommended for X0/Rise XX/Roam 40, 30/Rail 40/Rise 60 B1/ Hub Pawls, RockShox Forks and Reverb Service
ns	00.4318.008.001	Grease SRAM Butter 1oz Container, Friction Reducing Grease by Slickoleum - Recommended for X0/Rise XX/Roam 40, 30/Rail 40/Rise 60 B1/ Hub Pawls, RockShox Forks and Reverb Service

SID A - 80mm/100mm (2008-2014) Dual Air



Note:

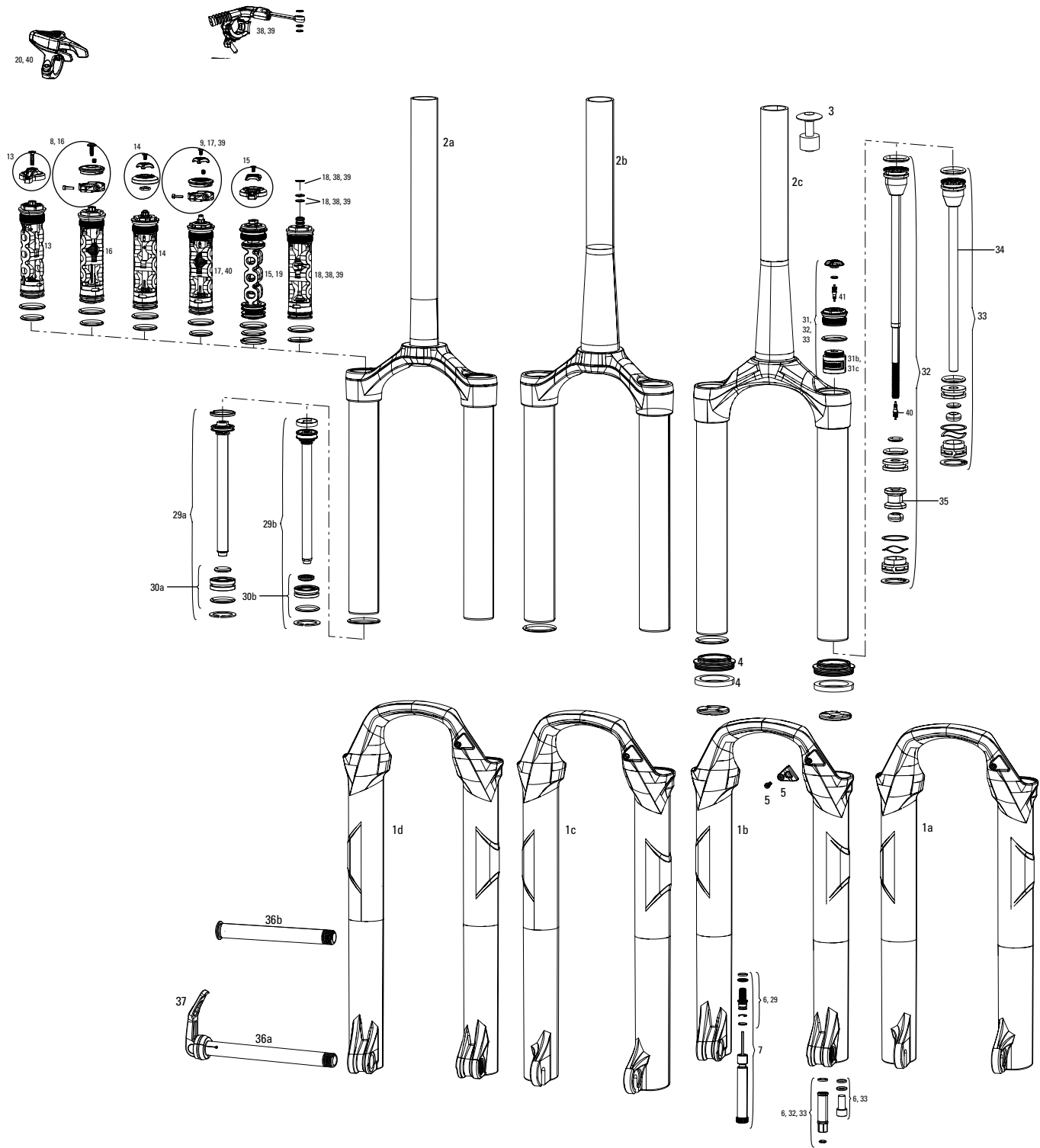
1. Full service kits include replaceable o-rings, glide rings, retaining rings, crush washers, crush washer retainers and shaft bolts/nuts. All air service kits include replacement schrader valve cores. Not all service parts are pictured. All basic service kits include the following replaceable wear items: o-rings, glide rings, dust seals, and foam rings.
2. Rebound damper and spring shaft kits include crush washers, crush washer retainers and shaft bolts, as well as upper tube retaining rings and rebound adjuster knob.
3. Solo Air internals, Solo Air CSU and SID B lower legs are NOT compatible with SID A. Use only Dual Air internals, Dual Air CSU and SID A lower legs.
4. 2013-2014 SID WC and XXWC 1 1/8" feature Dual Air and are not compatible with Solo Air.
5. SID A: upper tube inner diameter = 27.8mm. SID B: upper tube inner diameter = 28.2mm
6. Maximum fork travel = 100mm. Upper tube gradient includes ONLY 100mm and 80mm.
 - Internals and chassis parts designed for SIDB (120mm max travel) are NOT compatible.
 - Please note kit description travel specifications before ordering.
7. For lower leg replacements, please contact your local DSD or warranty center for information.

SID A - 80mm/100mm (2008-2014)



No.	Part Number	Description
1	11.4018.006.252	Lower Leg SIDA 26Q Disc Black (SID A Platform only, decals not included) 2008-2014
1	11.4018.006.253	Lower Leg SIDA 26Q Disc White (SID A platform only, decals not included) 2008-2014
2a	11.4015.289.000	SIDA CSU Alum Black 32mm 1 1/8" (Dual Air 80/100mm only)
2a	11.4015.289.010	SIDA CSU Alum White 32mm 1 1/8" (Dual Air 80/100mm only)
2a	11.4015.289.050	SIDA XX CSU Alum Black 32mm 1 1/8" (Dual Air 80/100mm only)
2a	11.4015.289.060	SIDA XX CSU Alum White 32mm 1 1/8" (Dual Air 80/100mm only)
2b	11.4015.289.080	SIDA CSU Tapered Aluminum Black 32mm (Dual Air 80/100mm only)
2b	11.4015.289.090	SIDA CSU Tapered Aluminum White 32mm (Dual Air 80/100mm only)
2b	11.4015.289.110	SIDA XX CSU Tapered Aluminum Black 32mm 1 1/8" (Dual Air 80/100mm only)
2b	11.4015.289.120	SIDA XX CSU Tapered Aluminum White 32mm 1 1/8" (Dual Air 80/100mm only)
2c	11.4015.289.040	SIDA XX CSU Carbon 32mm 1 1/8" (Dual Air 80/100mm only)
2c	11.4015.289.160	SIDA WC CSU Carbon 1 1/8" 32mm (Dual Air 80/100mm only)
3	11.4306.531.000	SID Carbon Steerer Tube Expander Plug
ns	11.4307.470.000	Brake Post Kit Titanium (Qty 2)
ns	11.4307.469.000	Brake Post Kit Steel (Qty 2)
4	11.4015.489.010	Dust Seal/Foam Ring Grey 32mm Seal, 5mm Foam Ring- SID 2011-2013 /Reba 2012-2013
5	11.4015.292.000	Shaft Fastener Kit (rebound shaft bolt/dual air nut) - 2008-2016 SID/2009-2016 Reba
6	11.4015.293.000	Rebound Damper Adjuster Knob/Shaft Bolt Kit - 2008-2016 SID/2012-2016 Reba
7	11.4015.294.000	Compression Knob (set screw)/External Floodgate Adjuster Knob Alum, Motion Control - SID RLT (2009-2011)/Reba RLT (2011-2012)/Revelation RLT (2011-2012)
8	11.4015.295.000	Compression Remote Spool 17mm (set screw)/External FloodgateAdj Knob/Cable Clamp, Motion Control-SIDRLT 09-11/RebaRLT 11-12/RevelationRLT 11-12 (not compatible w/13 PushLoc 10mm)
9	11.4015.296.000	Compression Damper, Crown Adjust, Motion Control, Black (includes - comp knob/external gate knob) - 08-11 SID Race/RLT (80/100mm only)
10	11.4015.296.010	Compression Damper, Remote Adjust 17mm, Motion Control, Black (includes - cable clamp/remote spool/external gate knob) 08-11 SIDA Race/RLT (80/100mm only)
11	11.4015.294.010	Compression Knob (set screw)/Floodgate Adjuster Knob Carbon,Black Box Motion Control - SID/Reba (2009-2011)
12	11.4015.295.010	Compression Remote Spool 17mm (set screw)/Floodgate AdjusterKnob/Cable Clamp, Black Box Motion Control - SID Reba 09-11(not compatible with 2013 PushLoc 10mm)
13	11.4015.547.100	Knob Kit, Compression Damper, RCT3 - SID A/Revelation A1-A3, Bluto A1 (2012-2016)
14	11.4015.544.030	Compression Damper, Crown Adjust, Black, Motion Control RCT3DNA (includes comp damper and knobs) - SIDA (80/100mm chassis only) 2009-2012
15	11.4315.013.050	Remote XLoc Left Gold Adjuster (includes hose/banjo)
15	11.4315.013.060	Remote XLoc Right Gold Adjuster (includes hose/banjo)
16	11.4315.013.070	Remote XLoc Full Sprint Left Gold Adjuster (includes hose/banjo)
16	11.4315.013.080	Remote XLoc Full Sprint Right Gold Adjuster (includes hose/banjo)
ns	11.4315.011.030	ROCKSHOX Bleed Kit (XLoc/Totem) Qty 2 (includes two syringesand fittings, one torx tool)
23	11.4015.297.010	Rebound Damper and Seal Head Assembly/Shaft Bolt (BBMC DualFlow) - 2009-2011 SIDA (80/100mm only)
24	11.4015.353.080	Seal Head Assembly (Rebound Damper, Motion Control) 12.5 Aluminum shaft 32mm - SIDB 2014-present, Revelation 2014-present, Bluto RLT 2015-present
25	11.4018.012.006	Air Top Cap, Reba/SID/Revelation/RS1/Bluto/Argyle RCT Black(32mm aluminum upper tubes only, Bottomless Token compatible)
26	11.4015.546.030	Spring Assembly (Dual Air) and Air Top Cap Kit - 2012 SIDA 26" (80-100mm chassis only) (not compatible with 2013 Solo Air CSU)
27	11.4015.450.000	All-Travel Spacer Kit (not compatible with SID/Reba/Revelation Solo Air Spring)
28	00.4318.004.003	Remote Upgrade Kit - XLoc Full Sprint - Includes Motion Control X DNA comp damper, rear shock hydraulic hose, bleed syringes, Left, MMX, Black - Revelation (2010-2016)
28	00.4318.004.004	Remote Upgrade Kit - XLoc Full Sprint - Includes Motion Control X DNA comp damper, rear shock hydraulic hose, bleed syringes, Right, MMX, Black - Revelation (2010-2016)
29	00.4318.004.007	Remote Upgrade Kit - XLoc Sprint -Includes Motion Control XDNA comp damper, bleed syringes, Left, MMX, Black - Revelation (2010-2016)
29	00.4318.004.008	Remote Upgrade Kit - XLoc Sprint -Includes Motion Control XDNA comp damper, bleed syringes, Right, MMX, Black - Revelation (2010-2016)
30	11.4308.327.002	Schrader Valve Core Qty 2
ns	11.4015.300.000	Service Kit 08-15 SIDA (80/100mm chassis only)
31	00.4315.032.080	AM Fork Service Kit, Basic (includes dust seals, foam rings,o-ring seals) - Reba (2012-2014) and SID (2012-2014)
bulk	11.4015.259.000	Crush Washer 8mm, Qty 50
bulk	11.4015.260.000	Crush Washer Retainer, Qty 50
bulk	11.4310.695.000	Dust Seal 32mm Grey - SID/Revelation/Reba/Argyle/Sektor/Tora/Recon/XC32 QTY 20
bulk	11.4015.496.010	Foam Ring 32mm x 5mm - SID A1-A3 /Reba A2-A3/Bluto A1 Qty 20
ns	00.4315.023.010	High-Pressure Fork/Shock Pump (300 psi Max) RockShox
ns	00.4315.023.040	High-Pressure Fork/Shock Pump (300 psi Max) RockShox DigitalGauge
ns	00.4315.022.010	Schrader Valve Removal Tool Rockshox
ns	00.4318.007.001	RockShox Standard Bleed Kit (includes 2 Syringes/fittings, Reverb Hydraulic Fluid, 120ml Bottle new)
ns	11.4315.021.020	RockShox Suspension Oil, 5wt, 120ml Bottle - Fork Damper
ns	11.4015.354.010	RockShox Suspension Oil, 5wt, 1 Liter Bottle - Fork Damper
ns	11.4315.021.040	RockShox Suspension Oil, 15wt, 120ml Bottle - Lower Legs
ns	11.4015.354.030	RockShox Suspension Oil, 15wt, 1 Liter Bottle - Lower Legs
ns	00.4318.008.000	Grease SRAM Butter 20ml Syringe, Friction Reducing Grease bySlickoleum - Recommended for X0/Rise XX/Roam 40, 30/Rail 40/Rise 60 B1/ Hub Pawls, RockShox Forks and Reverb Service
ns	00.4318.008.001	Grease SRAM Butter 1oz Container, Friction Reducing Grease by Slickoleum - Recommended for X0/Rise XX/Roam 40, 30/Rail 40/Rise 60 B1/ Hub Pawls, RockShox Forks and Reverb Service

SID B - 80mm-120mm A1-A4 (2011-2016)



- Note:**
1. Full service kits include replaceable rebound damper seal head, o-rings, glide rings, retaining rings, crush washers, crush washer retainers, and shaft bolts/nuts. All air service kits include replacement schrader valve cores. Not all service parts are pictured. All basic service kits include the following replaceable wear items: o-rings, glide rings, dust seals, and foam rings.
 2. Convert from Crown Adjust to Remote Adjust: Remote compression damper requires remote compression adjuster spool, cable clamp and remote lever assembly.
 3. Solo Air internals require Solo Air CSU; Solo Air internals are not compatible with Dual Air CSU. Dual Air internals require Dual Air CSU; Dual Air internals are not compatible with Solo Air CSU.
 4. 2013+ Reba and 2013+ SID B internals: CSU and Lower Leg assemblies are interchangeable. SID A: upper tube inner diameter = 27.8mm. SID B: upper tube inner diameter = 28.2mm.
 5. SID chassis and internals may be travel-specific. See part kit descriptions for identification.
 6. SID RCT3 A3 (2014+) compression damper must be used with SID A3 rebound damper (with Rapid Recovery valving). SID RCT3 A2 (2012-2013) compression damper is not compatible with SID RCT3 A3(2014+) rebound-damper.
 7. 2011-2012 XLoc remote uses 2.5wt suspension fluid. 2013+ XLoc remote uses Reverb hydraulic fluid. Use fluid indicated on fork top cap.

SID B - 80mm-120mm A1-A4 (2011-2016)



No.	Part Number	Description
1a	11.4018.006.160	Lower Leg SID/Reba 26Q Disc Black (decals not included) A1-A3 (Sid 2011-2016, Reba 2012-2016)
1a	11.4018.006.161	Lower Leg SID/Reba 26Q Disc White (decals not included) A1-A3 (Sid 2011-2016, Reba 2012-2016)
1a	11.4018.006.162	Lower Leg SID/Reba 26Q Disc Diffusion Black (decals not included) A1-A3 (Sid 2011-2016, Reba 2012-2016)
1b	11.4018.006.163	Lower Leg SID/Reba 2615 Disc Black (decals not included) A1-A3 (Sid 2011-2016, Reba 2012-2016)
1b	11.4018.006.164	Lower Leg SID/Reba 2615 Disc White (decals not included) A1-A3 (Sid 2011-2016, Reba 2012-2016)
1b	11.4018.006.165	Lower Leg SID/Reba 2615 Disc Diffusion Black (decals not included) A1-A3 (Sid 2011-2016, Reba 2012-2016)
1b	11.4018.006.166	Lower Leg SID/Reba 27.5/650B QR Disc Black (decals not included) A1-A3 (Sid 2011-2016, Reba 2012-2016)
1b	11.4018.006.167	Lower Leg SID/Reba 27.5/650B QR Disc White (decals not included) A1-A3 (Sid 2011-2016, Reba 2012-2016)
1b	11.4018.006.168	Lower Leg SID/Reba 27.5/650B QR Disc Diffusion Black (decals not included) A1-A3 (Sid 2011-2016, Reba 2012-2016)
1b	11.4018.006.169	Lower Leg SID/Reba 27.5/650B, Maxle 15 Disc Black (decals not included) A1-A3 (Sid 2011-2016, Reba 2012-2016)
1b	11.4018.006.170	Lower Leg SID/Reba 27.5/650B, Maxle 15 Disc White (decals not included) A1-A3 (Sid 2011-2016, Reba 2012-2016)
1b	11.4018.006.171	Lower Leg SID/Reba 27.5/650B, Maxle 15 Disc Diffusion Black (decals not included) A1-A3 (Sid 2011-2016, Reba 2012-2016)
1c	11.4018.006.172	Lower Leg SID/Reba 29Q Disc Black (decals not included) A1-A3 (Sid 2011-2016, Reba 2012-2016)
1c	11.4018.006.173	Lower Leg SID/Reba 29Q Disc White (decals not included) A1-A3 (Sid 2011-2016, Reba 2012-2016)
1c	11.4018.006.174	Lower Leg SID/Reba 29Q Disc Diffusion Black (decals not included) A1-A3 (Sid 2011-2016, Reba 2012-2016)
1d	11.4018.006.175	Lower Leg SID/Reba 2915 Disc Black (decals not included) A1-A3 (Sid 2011-2016, Reba 2012-2016)
1d	11.4018.006.176	Lower Leg SID/Reba 2915 Disc White (decals not included) A1-A3 (Sid 2011-2016, Reba 2012-2016)
1d	11.4018.006.177	Lower Leg SID/Reba 2915 Disc Diffusion Black (decals not included) A1-A3 (Sid 2011-2016, Reba 2012-2016)
1d	11.4018.006.231	Lower Leg SID/Reba 29"/27.5" + Boost Compatible 15X110 Disc Black (decals not included)
1d	11.4018.006.232	Lower Leg SID/Reba 29"/27.5" + Boost Compatible 15X110 Disc White (decals not included)
1d	11.4018.006.233	Lower Leg SID/Reba 29"/27.5" + Boost Compatible 15X110 Disc Diffusion Black (decals not included)
2a	11.4015.488.110	CSU, White, Alum, 1 1/8" - SIDB RL/RLT/RCT3 (120mm chassis only) Dual Air only, not compatible with Solo Air
2a	11.4015.488.120	CSU, Black, Alum, 1 1/8" - SIDB RL/RLT/RCT3 (120mm chassis only) Dual Air only, not compatible with Solo Air
2a	11.4015.488.030	CSU, SIDB XX, Alum, White 32mm 1 1/8" (120mm chassis only) Dual Air only, not compatible with Solo Air
2a	11.4015.488.040	CSU, SIDB XX, Alum, Black 32mm 1 1/8" (120mm chassis only) Dual Air only, not compatible with Solo Air
2a	11.4015.488.150	CSU, White, Alum, 1 1/8" - SIDB 29 RL/RLT/RCT3 Dual Air only, not compatible with Solo Air
2a	11.4015.488.160	CSU, Black, Alum, 1 1/8" - SIDB 29 RL/RLT/RCT3 Dual Air only, not compatible with Solo Air
2a	11.4015.488.170	CSU, SIDB 29 XX, Alum, White 32mm 1 1/8" Dual Air only, not compatible with Solo Air
2a	11.4015.488.180	CSU, SIDB 29 XX, Alum, Black 32mm 1 1/8" Dual Air only, not compatible with Solo Air
2a	11.4015.488.300	CSU Dual Air 12 SIDB 29 Aluminum Diffusion White 32mm 510S 11/8 (Dual Air only, not compatible with Solo Air)
2b	11.4015.488.130	CSU, White, Alum, Tapered - SIDB RL/RLT/RCT3 (120mm chassis only) Dual Air only, not compatible with Solo Air
2b	11.4015.488.140	CSU, Black, Alum, Tapered - SIDB RL/RLT/RCT3 (120mm chassis only) Dual Air only, not compatible with Solo Air
2b	11.4015.488.070	CSU, SIDB XX, Alum, White 32mm Tapered (120mm chassis only) Dual Air only, not compatible with Solo Air
2b	11.4015.488.080	CSU, SIDB XX, Alum, Black 32mm Tapered (120mm chassis only) Dual Air only, not compatible with Solo Air
2b	11.4015.488.190	CSU, White, Alum, Tapered - SIDB 29 RL/RLT/RCT3 Dual Air only, not compatible with Solo Air
2b	11.4015.488.200	CSU, Black, Alum, Tapered - SIDB 29 RL/RLT/RCT3 Dual Air only, not compatible with Solo Air
2b	11.4015.488.210	CSU, SIDB 29 XX, Alum, White 32mm Tapered Dual Air only, not compatible with Solo Air
2b	11.4015.488.220	CSU, SIDB 29 XX, Alum, Black 32mm Tapered Dual Air only, not compatible with Solo Air
2b	11.4015.488.250	CSU Dual Air 12 SIDB 29 MCDNA Aluminum Black 32mm 510S Tapered (Dual Air only, not compatible with Solo Air)
2b	11.4015.488.260	CSU Dual Air 12 SIDB 29 MCDNA Aluminum White 32mm 510S Tapered (Dual Air only, not compatible with Solo Air)
2b	11.4015.488.270	CSU Dual Air 12 SIDB 29 XX Aluminum Black 32mm 510S Tapered (Dual Air only, not compatible with Solo Air)
2b	11.4015.488.280	CSU Dual Air 12 SIDB 29 XX Aluminum White 32mm 510S Tapered (Dual Air only, not compatible with Solo Air)
2b	11.4015.488.290	CSU Dual Air 12 SIDB 29 MCDNA Aluminum Diffusion Black 32mm 510S Tapered (Dual Air only, not compatible with Solo Air)
2c	11.4015.488.090	CSU, SIDB WC, Carbon, 32mm Tapered (120mm chassis only) Dual Air only, not compatible with Solo Air
2c	11.4015.488.100	CSU, SIDB XXWC, Carbon, 32mm Tapered (120mm chassis only) Dual Air only, not compatible with Solo Air
2c	11.4015.488.230	CSU, SIDB 29 WC, Carbon, 32mm Tapered Dual Air only, not compatible with Solo Air
2c	11.4015.488.240	CSU, SIDB 29 XXWC, Carbon, 32mm Tapered Dual Air only, not compatible with Solo Air
2a	11.4018.008.244	CSU SID/Reba Solo Air 26 Aluminum 11/8 Black (with Black Upper Tubes) A2-A3 (2013-2016)
2a	11.4018.008.245	CSU SID/Reba Solo Air 26 Aluminum 11/8 White (with Black Upper Tubes) A2-A3 (2013-2016)
2a	11.4018.008.246	CSU SID/Reba Solo Air 26 Aluminum 11/8 Diffusion Black (with Black Upper Tubes) A2-A3 (2013-2016)
2b	11.4018.008.247	CSU SID/Reba Solo Air 26 Aluminum Taper Black (with Black Upper Tubes) A2-A3 (2013-2016)
2b	11.4018.008.248	CSU SID/Reba Solo Air 26 Aluminum Taper White (with Black Upper Tubes) A2-A3 (2013-2016)
2b	11.4018.008.249	CSU SID/Reba Solo Air 26 Aluminum Taper Diffusion Black (with Black Upper Tubes) A2-A3 (2013-2016)
2c	11.4018.008.250	CSU SID/Reba Solo Air 26 Carbon Taper Black (with Black Upper Tubes) A2-A3 (2013-2016)
2c	11.4018.008.251	CSU SID/Reba Solo Air 26 Carbon Taper Diffusion Black (with Black Upper Tubes) A2-A3 (2013-2016)
2a	11.4018.008.404	CSU SID/Reba Solo Air 27.5 Aluminum 1 1/8 Black (with Black Upper Tubes) A2-A3 (2013-2016)
2a	11.4018.008.405	CSU SID/Reba Solo Air 27.5 Aluminum 1 1/8 White (with Black Upper Tubes) A2-A3 (2013-2016)
2a	11.4018.008.406	CSU SID/Reba Solo Air 27.5 Aluminum 1 1/8 Diffusion Black (with Black Upper Tubes) A2-A3 (2013-2016)
2b	11.4018.008.252	CSU SID/Reba Solo Air 27.5 Aluminum Taper Black (with Black Upper Tubes) A2-A3 (2013-2016)
2b	11.4018.008.253	CSU SID/Reba Solo Air 27.5 Aluminum Taper White (with Black Upper Tubes) A2-A3 (2013-2016)
2b	11.4018.008.254	CSU SID/Reba Solo Air 27.5 Aluminum Taper Diffusion Black (with Black Upper Tubes) A2-A3 (2013-2016)
2b	11.4018.008.375	CSU SID XX World Cup Solo Air 27.5 Carbon Taper Black A2-A3 (2013-2016)
2b	11.4018.008.376	CSU SID XX World Cup Solo Air 27.5 Carbon Taper Diffusion Black A2-A3 (2013-2016)
2a	11.4018.008.255	CSU SID/Reba Solo Air 29 46 Off-Set Aluminum 11/8 Black (with Black Upper Tubes) A2-A3 (2013-2016)
2a	11.4018.008.256	CSU SID/Reba Solo Air 29 46 Off-Set Aluminum 11/8 White (with Black Upper Tubes) A2-A3 (2013-2016)
2a	11.4018.008.257	CSU SID/Reba Solo Air 29 46 Off-Set Aluminum 11/8 Diffusion Black (with Black Upper Tubes) A2-A3 (2013-2016)
2a	11.4018.008.258	CSU SID/Reba Solo Air 29 51 Off-Set Aluminum 11/8 Black (with Black Upper Tubes) A2-A3 (2013-2016)
2a	11.4018.008.259	CSU SID/Reba Solo Air 29 51 Off-Set Aluminum 11/8 White (with Black Upper Tubes) A2-A3 (2013-2016)
2a	11.4018.008.260	CSU SID/Reba Solo Air 29 51 Off-Set Aluminum 11/8 Diffusion Black (with Black Upper Tubes) A2-A3 (2013-2016)
2b	11.4018.008.261	CSU SID/Reba Solo Air 29 46 Off-Set Aluminum Taper Black (with Black Upper Tubes) A2-A3 (2013-2016)
2b	11.4018.008.262	CSU SID/Reba Solo Air 29 46 Off-Set Aluminum Taper White (with Black Upper Tubes) A2-A3 (2013-2016)
2b	11.4018.008.263	CSU SID/Reba Solo Air 29 46 Off-Set Aluminum Taper Diffusion Black (with Black Upper Tubes) A2-A3 (2013-2016)
2c	11.4018.008.264	CSU SID/Reba Solo Air 29 46 Off-Set Carbon Taper Black (with Black Upper Tubes) A2-A3 (2013-2016)
2c	11.4018.008.265	CSU SID/Reba Solo Air 29 46 Off-Set Carbon Taper Diffusion Black (with Black Upper Tubes) A2-A3 (2013-2016)
2b	11.4018.008.266	CSU SID/Reba Solo Air 29 51 Off-Set Aluminum Taper Black (with Black Upper Tubes) A2-A3 (2013-2016)
2b	11.4018.008.267	CSU SID/Reba Solo Air 29 51 Off-Set Aluminum Taper White (with Black Upper Tubes) A2-A3 (2013-2016)
2b	11.4018.008.268	CSU SID/Reba Solo Air 29 51 Off-Set Aluminum Taper Diffusion Black (with Black Upper Tubes) A2-A3 (2013-2016)
2c	11.4018.008.269	CSU SID/Reba Solo Air 29 51 Off-Set Carbon Taper Black (with Black Upper Tubes) A2-A3 (2013-2016)
2c	11.4018.008.270	CSU SID/Reba Solo Air 29 51 Off-Set Carbon Taper Diffusion Black (with Black Upper Tubes) A2-A3 (2013-2016)
ns	11.4018.008.271	CSU SID/Reba Solo Air 29 46 Off-Set Aluminum T2-Overdrive Drive 2 Black (with Black Upper Tubes) A2-A3 (2013-2016)
ns	11.4018.008.272	CSU SID/Reba Solo Air 29 46 Off-Set Aluminum T2-Overdrive Drive 2 White (with Black Upper Tubes) A2-A3 (2013-2016)
ns	11.4018.008.273	CSU SID/Reba Solo Air 29 46 Off-Set Aluminum T2-Overdrive Drive 2 Diffusion Black (with Black Upper Tubes) A2-A3 (2013-2016)
2c	11.4018.008.407	CSU SID/Reba Solo Air SID/Reba 29"/27.5" + Boost Compatible 15X110 51 Off-Set Aluminum Taper Black
2c	11.4018.008.408	CSU SID/Reba Solo Air SID/Reba 29"/27.5" + Boost Compatible 15X110 51 Off-Set Aluminum Taper White
2c	11.4018.008.409	CSU SID/Reba Solo Air SID/Reba 29"/27.5" + Boost Compatible 15X110 51 Off-Set Aluminum Taper Diffusion Black

SID B - 80mm-120mm A1-A4 (2011-2016)

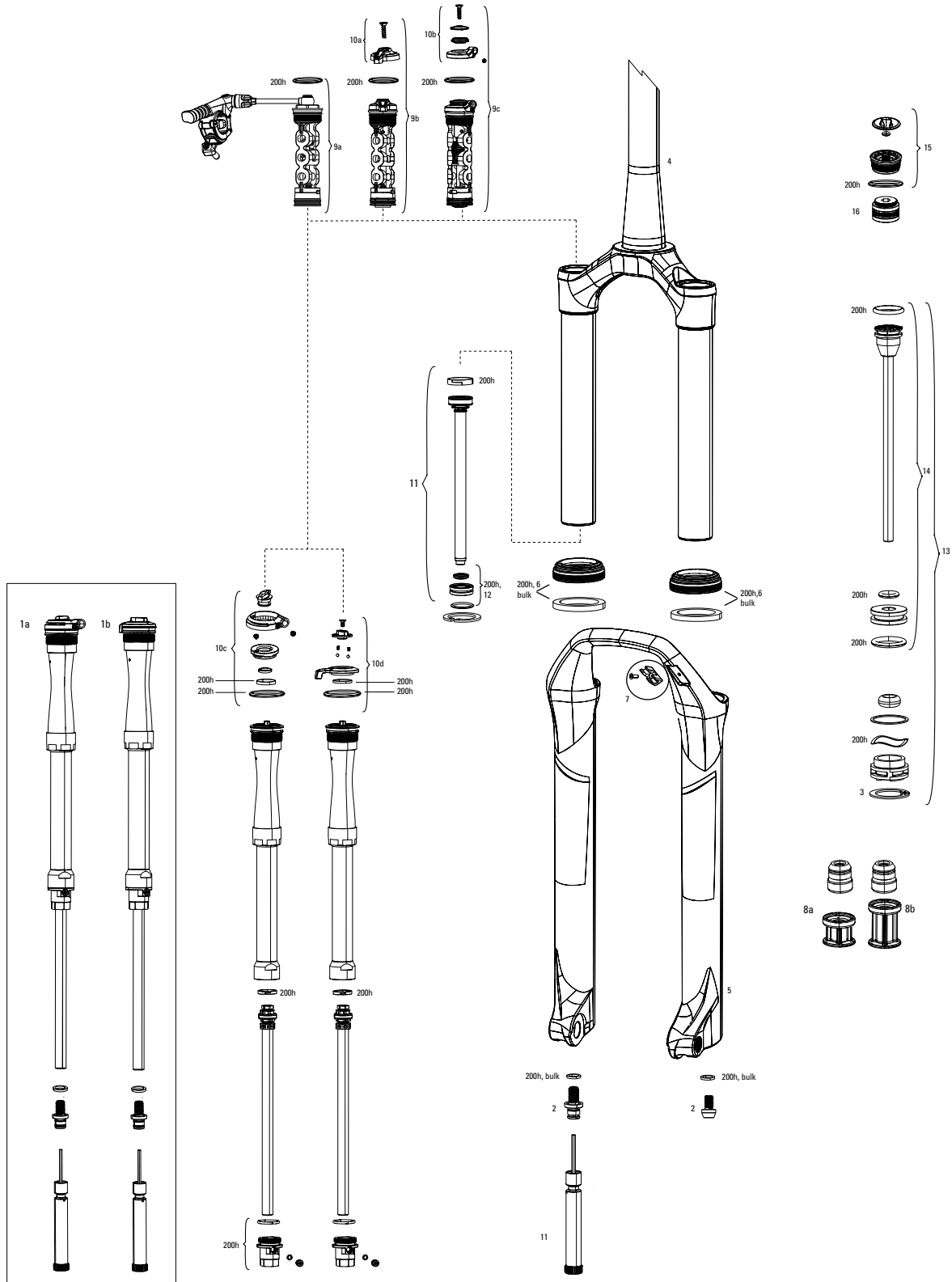


No.	Part Number	Description
3	11.4306.531.000	SID Carbon Steerer Tube Expander Plug
4	11.4015.489.010	Dust Seal/Foam Ring Grey 32mm Seal, 5mm Foam Ring - SID 2011-2013 /Reba 2012-2013
4	11.4018.028.001	Dust Seal/Foam Ring Black 32mm Seal, 5mm Foam Ring - SID A1-A3/Reba A1-A4 (flanged)
5	11.4015.534.010	Hydraulic Hose Clamp, Lower Leg
6	11.4015.292.000	Shaft Fastener Kit (rebound shaft bolt/dual air nut) - 2008-2016 SID/2009-2016 Reba
7	11.4015.293.000	Rebound Damper Adjuster Knob/Shaft Bolt Kit - 2008-2016 SID/2012-2016 Reba
ns	11.4015.294.010	Compression Knob (set screw)/Floodgate Adjuster Knob Carbon,Black Box Motion Control - SID/Reba (2009-2011)
ns	11.4015.295.010	Compression Remote Spool 17mm (set screw)/Floodgate Adjuster Knob/Cable Clamp, Black Box Motion Control - SID Reba 09-11(not compatible with 2013 PushLoc 10mm)
ns	11.4015.294.000	Compression Knob (set screw)/External Floodgate Adjuster Knob Alum, Motion Control - SID RLT (2009-2011)/Reba RLT (2011-2012)/Revelation RLT (2011-2012)
ns	11.4015.295.000	Compression Remote Spool 17mm (set screw)/External FloodgateAdj Knob/Cable Clamp, Motion Control-SIDRLT 09-11/RebaRLT 11-12/RevelationRLT 11-12 (not compatible w/13 PushLoc 10mm)
8	11.4018.011.003	Remote Spool/Cable Clamp Kit SID RLT/Revelation RL (10mm Pull2013+ Damper/PushLoc and OneLoc) 2013-2016
9	11.4018.011.005	Remote Spool/Cable Clamp Kit SID RLT/Revelation RLT (10mm Pull 2013+ Damper/PushLoc and OneLoc) 2013-2016
13	11.4015.544.010	Compression Damper, Crown Adjust, Motion Control DNA (includes comp knob) - SID/Reba RL (120mm only) A1-A3 2012-2016
14	11.4015.544.050	Compression Damper, Crown Adjust, Motion Control DNA (includes comp and floodgate knobs) - SIDB/Reba RLT (120mm only) A1A3 (2012-2016)
15	11.4015.544.070	Compression Damper, Crown Adjust, Motion Control RCT3 DNA (includes comp switch and low speed comp knob) - SIDB RCT3 (120mm chassis only) A1-A2 (2012-2013)
16	11.4015.544.020	Compression Damper, Remote Adjust 17mm, Motion Control DNA (includes remote spool and cable clamp) - SIDB/Reba RL (120mmonly) A1-A3 (2012-2016)
16	11.4015.544.210	Compression Damper, Remote Adjust 10mm, Motion Control DNA,Silver-SIDB/Reba RL (includes spool & cable clamp; compatiblewith 2013-2015 PushLoc and OneLoc) A2-A3 (2013-2016)
16	11.4015.544.230	Compression Damper, Remote Adjust 10mm, Motion Control DNA,Black-SIDB/Reba RL (includes spool & cable clamp; compatiblewith 2013-2015 PushLoc and OneLoc) A2-A3 (2013-2016)
17	11.4015.544.060	Compression Damper, Remote Adjust 17mm, Motion Control DNA Threshold (includes remote spool, cable clamp and floodgate knob) - SIDB/Reba RLT (120mm only) A1-A3 (2012-2016)
17	11.4015.544.220	Compression Damper, Remote Adjust 10mm, Motion Control DNA ,Silver-SIDB/Reba RLT (includes spool& cable clamp; compatible with 2013-2015 PushLoc and OneLoc) A2-A3 (2013-2016)
17	11.4015.544.240	Compression Damper, Remote Adjust 10mm, Motion Control DNA ,Black-SIDB/Reba RLT (includes spool & cable clamp; compatible with 2013-2015 PushLoc and OneLoc) A2-A3 (2013-2016)
18	11.4015.544.080	Compression Damper, Remote, Motion Control XX DNA - SIDXX/XXWorld Cup (120mm chassis only) (includes banjo retaining ring) A1-A3 (2012-2016)
19	11.4015.544.270	Compression Damper, Motion Control DNA, Crown Adjust - SID RCT3 Black (includes compression knobs) A3 2014-2016
19	11.4015.544.280	Compression Damper, Motion Control DNA, Crown Adjust - SID RCT3 Silver (includes compression knobs) A3 2014-2016
20	00.4318.002.009	Remote - OneLoc Left/above, Right/below 10mm, Remote Only (includes remote, cable&housing)-SID,Reba,Revelation,Bluto,Sektor,ReconGold(2013-2017)
20	00.4318.002.010	Remote - OneLoc Right/above, Left/below 10mm, Remote Only (includes remote, cable&housing)-SID,Reba,Revelation,Bluto,Sektor,ReconGold(2013-2017)
ns	11.4315.011.030	ROCKSHOX Bleed Kit (XLoc/Totem) Qty 2 (includes two syringesand fittings, one torx tool)
29a	11.4015.549.010	Rebound Damper and Seal Head Assembly/Shaft Bolt (120mm maxtravel) - Reba/SIDB 26" (120mm chassis only) A1-A3 (2012-2014)
29a	11.4015.549.020	Rebound Damper and Seal Head Assembly/Shaft Bolt (100mm maxtravel) - Reba/SIDB 26" (120mm chassis only) A1-A3 (2012-2014)
29b	11.4018.025.001	Rebound Damper and Seal Head Assembly/Shaft Bolt- SID 26 A3(2014-2016)
29b	11.4018.025.002	Rebound Damper and Seal Head Assembly/Shaft Bolt- SID 27.5/29 A3 (2014-2016)
30a	11.4015.353.010	Seal Head Assembly (Rebound Damper, Motion Control) 32mm - SIDA 2009-2014, SIDB 2011-2013, Reba 2009-present, Revelation2009-2013, Bluto RL 2015-present
30b	11.4015.353.080	Seal Head Assembly (Rebound Damper, Motion Control) 12.5 Aluminum shaft 32mm - SIDB 2014-present, Revelation 2014-present, Bluto RLT 2015-present
31	11.4018.012.006	Air Top Cap, Reba/SID/Revelation/RS1/Bluto/Argyle RCT Black(32mm aluminum upper tubes only, Bottomless Token compatible)
31b	11.4018.032.002	Bottomless Tokens/Air Cap Kit 32mm (includes 5 tokens/32mm internally threaded air cap) - Reba/SID/Revelation/RS1/Bluto/Argyle RCT Solo Air
31c	11.4018.032.003	Bottomless Tokens Qty 5 32mm SID/Reba/Revelation/RS1/Bluto/Argyle RCT Solo Air
32	11.4015.546.004	Spring Assembly (Dual Air) and Air Top Cap Kit (120mm max travel) - 2012 Reba/SIDB 26" (120mm chassis only; not compatible with 2013 Solo Air CSU)
32	11.4015.546.050	Spring Assembly (Dual Air) and Air Top Cap Kit (110mm max travel) - 2012 Reba/SIDB 29" (120mm chassis only; not compatible with 2013 Solo Air CSU)
33	11.4018.010.046	Spring Internals Left Solo Air Reba/SIDB 27.5/650b, 29 120 Black (includes air top cap, solo air spring and shaft bolt;not compatible with Dual Air CSU) A2-A3
33	11.4018.010.119	Spring Internals Left Solo Air 13 Reba/SIDB 29 110 Black (includes air top cap, 1 bottomless token, solo air spring andshaft bolt; not compatible with Dual Air CSU)
33	11.4018.010.120	Spring Internals Left Solo Air 13 Reba/SIDB 27.5/650b, 29 100 Black (includes air top cap, 2 bottomless tokens, solo air spring and shaft bolt; not compatible with Dual Air CSU)
33	11.4018.010.121	Spring Internals Left Solo Air 13 Reba/SIDB 29 95 Black (includes air top cap, 2 bottomless tokens, solo air spring andshaft bolt; not compatible with Dual Air CSU)
33	11.4018.010.122	Spring Internals Left Solo Air 13 Reba/SIDB 29 90 Black (includes air top cap, 3 bottomless tokens, solo air spring andshaft bolt; not compatible with Dual Air CSU)
33	11.4018.010.123	Spring Internals Left Solo Air 13 Reba/SIDB 29 80 Black (includes air top cap, 4 bottomless tokens, solo air spring andshaft bolt; not compatible with Dual Air CSU)
33	11.4018.010.056	Spring Internals Left Solo Air Reba/SIDB 26 120 Black (includes air top cap, solo air spring and shaft bolt; not compatible with Dual Air CSU) A2-A3
33	11.4018.010.124	Spring Internals Left Solo Air 13 Reba/SIDB 26 110 Black (includes air top cap, 1 bottomless token, solo air spring andshaft bolt; not compatible with Dual Air CSU)
33	11.4018.010.125	Spring Internals Left Solo Air 13 Reba/SIDB 26 100 Black (includes air top cap,2 bottomless tokens, solo air spring andshaft bolt; not compatible with Dual Air CSU)
33	11.4018.010.126	Spring Internals Left Solo Air 13 Reba/SIDB 26 90 Black (includes air top cap, 3 bottomless tokens, solo air spring andshaft bolt; not compatible with Dual Air CSU)
33	11.4018.010.127	Spring Internals Left Solo Air 13 Reba/SIDB 26 80 Black (includes air top cap, 4 bottomless tokens, solo air spring andshaft bolt; not compatible with Dual Air CSU)
34	11.4018.021.000	Air Shaft Reba/SIDB 120mm travel 27.5"/29" (A3) (can be used to change travel to 120mm on 27.5"/29" /29" 2014/A3) Solo Air,not compatible with pre 2014/A3 29" or Dual Air)
34	11.4018.021.001	Air Shaft Reba/SIDB 110mm travel 27.5"/29" (can be used to change travel to 110mm on 27.5"/29" Solo Air, not compatiblewith Dual Air)
34	11.4018.021.002	Air Shaft Reba/SIDB 100mm travel 27.5"/29" (can be used to change travel to 100mm on 27.5"/29" Solo Air, not compatiblewith Dual Air)
34	11.4018.021.010	Air Shaft Reba/SIDB 95mm travel 27.5"/29" (can be used to change travel to 95mm on 27.5"/29" Solo Air, not compatible with Dual Air)
34	11.4018.021.003	Air Shaft Reba/SIDB 90mm travel 27.5"/29" (can be used to change travel to 90mm on 27.5"/29" Solo Air, not compatible with Dual Air)
34	11.4018.021.004	Air Shaft Reba/SIDB 80mm travel 27.5"/29" (can be used to change travel to 80mm on 27.5"/29" Solo Air, not compatible with Dual Air)
34	11.4018.021.005	Air Shaft Reba/SIDB/RS1 120mm travel (can be used to changetravel to 120mm on RS1/SIDB & Reba 26" Solo Air, not compatible with Dual Air)
34	11.4018.021.006	Air Shaft Reba/SIDB/RS1 110mm travel (can be used to changetravel to 110mm on RS1/SIDB & Reba 26" Solo Air, not compatible with Dual Air)
34	11.4018.021.007	Air Shaft Reba/SIDB/RS1 100mm travel (can be used to changetravel to 100mm on RS1/SIDB & Reba 26" Solo Air, not compatible with Dual Air)
34	11.4018.021.008	Air Shaft Reba/SIDB/RS1 90mm travel (can be used to change travel to 90mm on RS1/SIDB & Reba 26" Solo Air, not compatible withDual Air)
34	11.4018.021.009	Air Shaft Reba/SIDB/RS1 80mm travel (can be used to change travel to 80mm on RS1/SIDB & Reba 26" Solo Air, not compatible withDual Air)
35	11.4015.450.000	All-Travel Spacer Kit (not compatible with SID/Reba/Revelation Solo Air Spring)
36a	00.4318.005.002	Axle Maxle Lite Front MTB, 15x100, Length 148mm, Thread Length 9mm, Thread Pitch M15x1.50 - SID/Reba/Revelation/Recon/Sektor/XC32
36a	00.4318.005.004	Axle Maxle Lite Front MTB, 15x110, Length 158mm, Thread Length 9mm, Thread Pitch M15x1.50 Boost Compatible - SID/Reba
36b	00.4318.005.018	Axle Maxle Stealth Front MTB, 15x100, Length 148mm, Thread Length 9mm, Thread Pitch M15x1.50 (not compatible with RS-1) Standard
36b	00.4318.005.019	Axle Maxle Stealth Front MTB, 15x110, Length 158mm, Thread Length 9mm, Thread Pitch M15x1.50 - Boost Compatible
37	11.4318.004.001	Maxle Lite 15mm XC Lever Assembly
ns	11.4315.010.010	Lever/Wedge Kit, Rear Maxle Lite 135/150mm (axle body)/MaxleLite 15mm (front) - Black Lever 2010-2013
38	00.4318.004.001	Remote Upgrade Kit - XLoc Full Sprint - Includes Motion Control X DNA comp damper, rear shock hydraulic hose, bleed syringes, Left, MMX, Black - SIDB (2011-2016)
38	00.4318.004.002	Remote Upgrade Kit - XLoc Full Sprint - Includes Motion Control X DNA comp damper, rear shock hydraulic hose, bleed syringes, Right, MMX, Black - SIDB (2011-2016)
39	00.4318.004.005	Remote Upgrade Kit - XLoc Sprint -Includes Motion Control XDNA comp damper, bleed syringes, Left, MMX, Black - SIDB (2011-2016)
39	00.4318.004.006	Remote Upgrade Kit - XLoc Sprint -Includes Motion Control XDNA comp damper, bleed syringes, Right, MMX, Black - SIDB (2011-2016)
41	11.4308.327.002	Schrader Valve Core Qty 2
ns	11.4015.494.000	SID Service Kit (120mm) Dual Air
ns	11.4018.018.001	Service Kit Full (includes solo air and damper seals, hardware & Black Seals) - SID/Reba Solo Air A2-A3 (2013-2016)
ns	00.4315.032.430	AM Fork Service Kit, Basic (includes dust seals, foam rings,o-ring seals) - SID A3 (2014-2016)
ns	00.4315.032.080	AM Fork Service Kit, Basic (includes dust seals, foam rings,o-ring seals) - Reba (2012-2014) and SID (2012-2014)
ns	11.4318.003.424	Decal Kit SID 26/27.5/29, 2927+ Silver/Black Lower Leg A3
ns	11.4318.003.425	Decal Kit SID 26/27.5/29, 2927+ Silver/White Lower Leg A3
ns	11.4318.003.426	Decal Kit SID 26/27.5/29, 2927+ Silver/Diffusion Black Lower Leg A3

SID B - 80mm-120mm A1-A4 (2011-2016)



No.	Part Number	Description
bulk	11.4015.259.000	Crush Washer 8mm, Qty 50
bulk	11.4015.260.000	Crush Washer Retainer, Qty 50
bulk	11.4310.695.000	Dust Seal 32mm Grey - SID/Revelation/Reba/Argyle/Sektor/Tora/Recon/XC32 QTY 20
bulk	11.4018.028.003	Dust Seal 32mm Black - SID/Reba/Revelation A3 Qty 20 (flanged)
bulk	11.4015.496.010	Foam Ring 32mm x 5mm - SID A1-A3 /Reba A2-A3/Bluto A1 Qty 20
ns	00.4315.023.010	High-Pressure Fork/Shock Pump (300 psi Max) RockShox
ns	00.4315.023.040	High-Pressure Fork/Shock Pump (300 psi Max) RockShox DigitalGauge
ns	00.4315.022.010	Schrader Valve Removal Tool Rockshox
ns	00.4318.007.001	RockShox Standard Bleed Kit (includes 2 Syringes/fittings, Reverb Hydraulic Fluid, 120ml Bottle new)
ns	11.4315.021.020	RockShox Suspension Oil, 5wt, 120ml Bottle - Fork Damper
ns	11.4015.354.010	RockShox Suspension Oil, 5wt, 1 Liter Bottle - Fork Damper
ns	11.4315.021.040	RockShox Suspension Oil, 15wt, 120ml Bottle - Lower Legs
ns	11.4015.354.030	RockShox Suspension Oil, 15wt, 1 Liter Bottle - Lower Legs
ns	00.4318.008.000	Grease SRAM Butter 20ml Syringe, Friction Reducing Grease by Slickoleum - Recommended for X0/Rise XX/Roam 40, 30/Rail 40/Rise 60 B1/ Hub Pawls, RockShox Forks and Reverb Service
ns	00.4318.008.001	Grease SRAM Butter 1oz Container, Friction Reducing Grease by Slickoleum - Recommended for X0/Rise XX/Roam 40, 30/Rail 40/Rise 60 B1/ Hub Pawls, RockShox Forks and Reverb Service



Note:

1. 2017 SID models use an hour based service interval, see www.sram.com/service for more info.
2. Convert from Crown Adjust to Remote Adjust: Remote compression damper requires remote compression adjuster spool, cable clamp and remote lever assembly.
3. Solo Air internals require Solo Air CSU; Solo Air internals are not compatible with Dual Air CSU. Dual Air internals require Dual Air CSU; Dual Air internals are not compatible with Solo Air CSU.
4. SID chassis and internals may be travel-specific. See part kit descriptions for identification.
5. 2013+ XLoc remote uses Reverb hydraulic fluid. Use fluid indicated on fork top cap.



SERVICE & UPGRADE KITS

No.	Part Number	Description
200h	00.4315.032.613	200 hour/1 year Service Kit (includes dust seals, foam rings, o-ring seals, damper sealhead) - SID XX/RL B1 (2017)
200h	00.4315.032.614	200 hour/1 year Service Kit (includes dust seals, foam rings, o-ring seals, Charger sealhead) -SID RLC A1 (2017)
1a	00.4018.783.010	Damper Upgrade Kit - Charger RLC,100 max travel, Remote Adjust (Includes Complete Right Side Internals & OneLoc Remote) SID RLC (A1), SID RL/XX/WC (B1) 2017+
1b	00.4018.783.009	Damper Upgrade Kit - Charger RLC,100 max travel, Crown Adjust (Includes Complete Right Side Internals) - SID RLC(A1), SID RL/XX/WC (B1) 2017+
2	11.4015.403.100	Shaft Fastener Kit Yari (Includes shaft bolts and crush washers) - Yari/SID XX/RLC/RL
3	11.4015.558.010	Retaining Ring, Upper Tube, 32mm - Qty 2

TOOLS, GREASE AND LUBRICATION

No.	Part Number	Description
ns	11.4315.011.030	ROCKSHOX Bleed Kit (XLoc/Totem) Qty 2 (includes two syringes and fittings, one torx tool)
ns	00.4315.023.010	High-Pressure Fork/Shock Pump (300 psi Max) RockShox
ns	00.4315.023.040	High-Pressure Fork/Shock Pump (300 psi Max) RockShox Digital Gauge
ns	00.4315.022.010	Schrader Valve Removal Tool RockShox
ns	00.4318.007.001	RockShox Standard Bleed Kit (includes 2 Syringes/fittings, Reverb Hydraulic Fluid, 120ml Bottle new)
ns	11.4315.021.020	RockShox Suspension Oil, 5wt, 120ml Bottle - Fork Damper
ns	11.4015.354.010	RockShox Suspension Oil, 5wt, 1 Liter Bottle - Fork Damper
ns	11.4315.021.040	RockShox Suspension Oil, 15wt, 120ml Bottle - Lower Legs
ns	11.4015.354.030	RockShox Suspension Oil, 15wt, 1 Liter Bottle - Lower Legs
ns	11.4315.004.020	RockShox Suspension Oil, 3wt 16oz Bottle - Rear Shock Damper/Charger Damper
ns	00.4318.008.000	Grease SRAM Butter 20ml Syringe, Friction Reducing Grease by Slickoleum - Recommended for X0/Rise XX/Road 40, 30/Rail 40/Rise 60 B1/ Hub Pawls, RockShox Forks and Reverb Service
ns	00.4318.008.001	Grease SRAM Butter 1oz Container, Friction Reducing Grease by Slickoleum - Recommended for X0/Rise XX/Road 40, 30/Rail 40/Rise 60 B1/ Hub Pawls, RockShox Forks and Reverb Service

CROWN STEER UPPER-TUBE (CSU)

No.	Part Number	Description
4	11.4018.008.464	CSU SID Solo Air 27 42 Off-Set Aluminum Taper Black (no graidents) - SID RLC A1/SID XX/RL B1 (2017+)
4	11.4018.008.465	CSU SID Solo Air 27 42 Off-Set Aluminum Taper White (no graidents) - SID RLC A1/SID XX/RL B1 (2017+)
4	11.4018.008.466	CSU SID Solo Air 27 42 Off-Set Aluminum Taper Diffusion Black (no graidents) - SID RLC A1/SID XX/RL B1 (2017+)
4	11.4018.008.467	CSU SID Solo Air 29 42 Off-Set Aluminum Taper Black (no graidents) - SID RLC A1/SID XX/RL B1 (2017+)
4	11.4018.008.468	CSU SID Solo Air 29 42 Off-Set Aluminum Taper White (no graidents) - SID RLC A1/SID XX/RL B1 (2017+)
4	11.4018.008.469	CSU SID Solo Air 29 42 Off-Set Aluminum Taper Diffusion Black (no graidents) - SID RLC A1/SID XX/RL B1 (2017+)
4	11.4018.008.470	CSU SID Solo Air 29 51 Off-Set Aluminum Taper Black (no graidents) - SID RLC A1/SID XX/RL B1 (2017+)
4	11.4018.008.471	CSU SID Solo Air 29 51 Off-Set Aluminum Taper White (no graidents) - SID RLC A1/SID XX/RL B1 (2017+)
4	11.4018.008.472	CSU SID Solo Air 29 51 Off-Set Aluminum Taper Diffusion Black (no graidents) - SID RLC A1/SID XX/RL B1 (2017+)
4	11.4018.008.473	CSU SID Solo Air 27 Boost Compatible 42 Off-Set Aluminum Taper Black (no graidents) - SID RLC A1/SID XX/RL B1 (2017+)
4	11.4018.008.474	CSU SID Solo Air 27 Boost Compatible 42 Off-Set Aluminum Taper White (no graidents) - SID RLC A1/SID XX/RL B1 (2017+)
4	11.4018.008.475	CSU SID Solo Air 27 Boost Compatible 42 Off-Set Aluminum Taper Diffusion Black (no graidents) - SID RLC A1/SID XX/RL B1 (2017+)
4	11.4018.008.476	CSU SID Solo Air 2927+ Boost Compatible 51 Off-Set Aluminum Taper Black (no graidents) - SID RLC A1/SID XX/RL B1 (2017+)
4	11.4018.008.477	CSU SID Solo Air 2927+ Boost Compatible 51 Off-Set Aluminum Taper White (no graidents) - SID RLC A1/SID XX/RL B1 (2017+)
4	11.4018.008.478	CSU SID Solo Air 2927+ Boost Compatible 51 Off-Set Aluminum Taper Diffusion Black (no graidents) - SID RLC A1/SID XX/RL B1 (2017+)
4	11.4018.008.479	CSU SID World Cup Solo Air 29 42 Off-Set Carbon Taper Black (no graidents) - SID RLC A1/SID XX/RL B1 (2017+)
4	11.4018.008.480	CSU SID World Cup Solo Air 29 42 Off-Set Carbon Taper White (no graidents) - SID RLC A1/SID XX/RL B1 (2017+)
4	11.4018.008.481	CSU SID World Cup Solo Air 29 42 Off-Set Carbon Taper Diffusion Black (no graidents) - SID RLC A1/SID XX/RL B1 (2017+)
4	11.4018.008.482	CSU SID World Cup Solo Air 29 51 Off-Set Carbon Taper Black (no graidents) - SID RLC A1/SID XX/RL B1 (2017+)
4	11.4018.008.483	CSU SID World Cup Solo Air 29 51 Off-Set Carbon Taper White (no graidents) - SID RLC A1/SID XX/RL B1 (2017+)
4	11.4018.008.484	CSU SID World Cup Solo Air 29 51 Off-Set Carbon Taper Diffusion Black (no graidents) - SID RLC A1/SID XX/RL B1 (2017+)
4	11.4018.008.485	CSU SID World Cup Solo Air 27 42 Off-Set Carbon Taper Black (no graidents) - SID RLC A1/SID XX/RL B1 (2017+)
4	11.4018.008.486	CSU SID World Cup Solo Air 27 42 Off-Set Carbon Taper White (no graidents) - SID RLC A1/SID XX/RL B1 (2017+)
4	11.4018.008.487	CSU SID World Cup Solo Air 27 42 Off-Set Carbon Taper Diffusion Black (no graidents) - SID RLC A1/SID XX/RL B1 (2017+)
ns	11.4306.531.000	SID Carbon Steerer Tube Expander Plug

LOWER LEG (LL)

No.	Part Number	Description
5	11.4018.006.256	Lower Leg SID 29 15mm Disc Black (decals not included) - SID RLC A1/SID XX/RL B1 (2017+) (2017+)
5	11.4018.006.257	Lower Leg SID 29 15mm Disc White (decals not included) - SID RLC A1/SID XX/RL B1 (2017+)
5	11.4018.006.258	Lower Leg SID 29 15mm Disc Diffusion Black (decals not included) - SID RLC A1/SID XX/RL B1 (2017+)
5	11.4018.006.259	Lower Leg SID 27 15mm Disc Black (decals not included) - SID RLC A1/SID XX/RL B1 (2017+)
5	11.4018.006.260	Lower Leg SID 27 15mm Disc White (decals not included) - SID RLC A1/SID XX/RL B1 (2017+)
5	11.4018.006.261	Lower Leg SID 27 15mm Disc Diffusion Black (decals not included) - SID RLC A1/SID XX/RL B1 (2017+)
5	11.4018.006.262	Lower Leg SID 29 Boost 15x110 Disc Black (decals not included) - SID RLC A1/SID XX/RL B1 (2017+)
5	11.4018.006.263	Lower Leg SID 29 Boost 15x110 Disc White (decals not included) - SID RLC A1/SID XX/RL B1 (2017+)
5	11.4018.006.264	Lower Leg SID 29 Boost 15x110 Disc Diffusion Black (decals not included) - SID RLC A1/SID XX/RL B1 (2017+)
5	11.4018.006.265	Lower Leg SID 27 Boost 15x110 Disc Black (decals not included) - SID RLC A1/SID XX/RL B1 (2017+)
5	11.4018.006.266	Lower Leg SID 27 Boost 15x110 Disc White (decals not included) - SID RLC A1/SID XX/RL B1 (2017+)
5	11.4018.006.267	Lower Leg SID 27 Boost 15x110 Disc Diffusion Black (decals not included) - SID RLC A1/SID XX/RL B1 (2017+)
6	11.4018.028.016	Dust Seal/Foam Ring Black 32mm Seal, 4mm Foam Ring - SID RLC A1/SID XX/RL B1 (2017+)
7	11.4015.534.011	Hydraulic Hose Guide, Lower Leg - SID RLC A1/SID XX/RL B1 (2017+)
8a	11.4018.072.000	Lower Leg Solo Air Shaft Bottom Cup and Bump Stop 29 - SID RLC A1/SID XX/RL B1 (2017+)
8b	11.4018.072.001	Lower Leg Solo Air Shaft Bottom Cup and Bump Stop 27 - SID RLC A1/SID XX/RL B1 (2017+)



RIGHT SIDE INTERNALS

No.	Part Number	Description
ns	00.4318.004.005	Remote Upgrade Kit - XLoc Sprint -Includes Motion Control XDNA comp damper, bleed syringes, Left, MMX, Black - SIBD (2011-2016)
9a	00.4318.004.006	Remote Upgrade Kit - XLoc Sprint -Includes Motion Control XDNA comp damper, bleed syringes, Right, MMX, Black - SIBD (2011-2016)
ns	00.4318.002.019	Remote Upgrade Kit- OneLoc Right/above, Left/below 10mm MC RLT Damper Push to Lock (includes remote, comp damper, cable& housing) -SIBD/Reba/Bluto(2012-2017)
9b	11.4015.544.010	Compression Damper, Crown Adjust, Motion Control DNA (includes comp knob) - SID/Reba RL (120mm only) A1-A3 2012-2016
9c	11.4015.544.390	Compression Damper, Motion Control, Oneloc Remote (includes compression knobs) - SID RL B1
ns	00.4318.004.001	Remote Upgrade Kit - XLoc Full Sprint - Includes Motion Control X DNA comp damper, rear shock hydraulic hose, bleed syringes, Left, MMX, Black - SIBD (2011-2016)
10a	11.4015.547.020	Compression Knob Kit, Motion Control DNA - SID A RL/ Revelation RL A1-A3 (2012-2016)
10b	11.4015.547.170	Remote Spool Kit 17mm Push to Lock , RL - SID RL B1
10c	11.4015.547.180	Knob Kit, Compression Damper, RLC - SID RLC A1
10d	11.4015.547.181	Remote Spool Kit Charger, RLC - SID RLC A1
ns	00.4318.002.009	Remote - OneLoc Full Sprint Left/above, Right/below 10mm, Remote Only (includes remote, cable&housing)-SID,Reba,Revelation,Bluto,Sektor,ReconGold(2013-2016)
ns	00.4318.002.010	Remote - OneLoc Full Sprint Right/above, Left/below 10mm, Remote Only (includes remote, cable&housing)-SID,Reba,Revelation,Bluto,Sektor,ReconGold(2013-2016)
11	11.4018.025.020	Rebound Damper and Seal Head Assembly/Shaft Bolt- SID B1
12	11.4015.353.080	Seal Head Assembly (Rebound Damper, Motion Control) 12.5 Aluminum shaft 32mm - SIBD 2014-present, Revelation 2014-present, Bluto RLT 2015-present, SID XX/RLC/RL 2017+

LEFT SIDE INTERNALS

No.	Part Number	Description
13	11.4018.010.205	Spring Internals Left Solo Air 100-29 (Includes air top cap, air spring and shaft bolts) - SID RLC A1/ SID XX/RL B1
13	11.4018.010.206	Spring Internals Left Solo Air 100-27 (Includes air top cap, air spring and shaft bolts) - SID RLC A1/ SID XX/RL B1
13	11.4018.010.207	Spring Internals Left Solo Air 80-29 (Includes air top cap, air spring and shaft bolts) - SID RLC A1/ SID XX/RL B1
14	11.4018.026.021	Air Shaft Solo Air - SID RLC A1/SID XX/RL B1 (100mm 29)
14	11.4018.026.022	Air Shaft Solo Air - SID RLC A1/SID XX/RL B1 (100mm 27.5)
14	11.4018.026.023	Air Shaft Solo Air - SID RLC A1/SID XX/RL B1 (80mm 29)
15	11.4018.012.011	Air Top Cap, Solo Air 32mm Spline Black (Includes top cap and valve cover, uses cassette tool) - SID B1
16	11.4018.032.002	Bottomless Tokens/Air Cap Kit 32mm (includes 5 tokens/32mm internally threaded air cap) - Reba/SID/Revelation/RS1/Bluto/Argyle RCT Solo Air
16	11.4018.032.003	Bottomless Tokens Qty 5 32mm SID/Reba/Revelation/RS1/Bluto/Argyle RCT Solo Air
ns	11.4308.327.002	Schrader Valve Core Qty 2

MAXLE

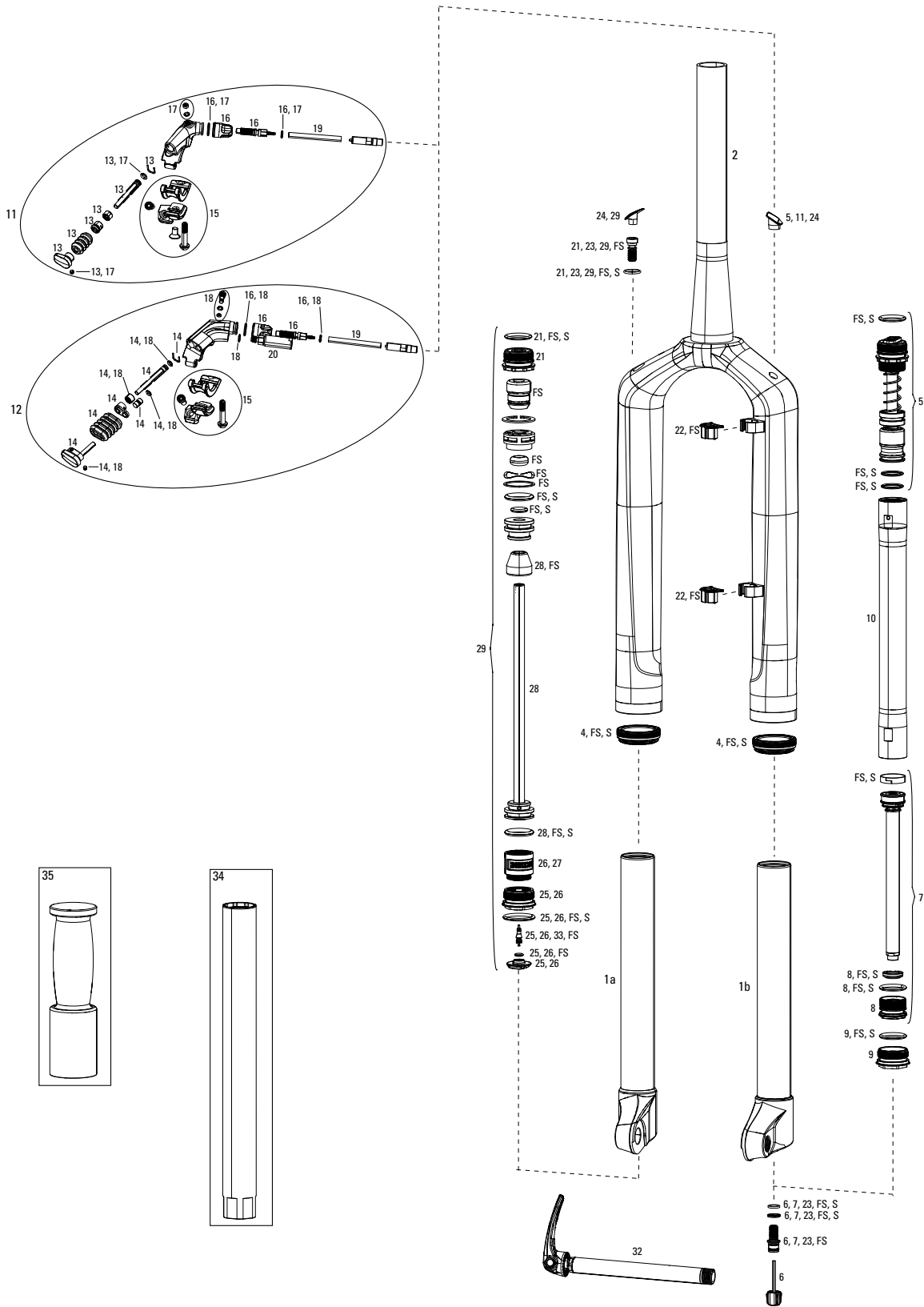
No.	Part Number	Description
ns	00.4318.005.001	Axle Maxle Ultimate Front MTB, 15x100, Length 148mm, ThreadLength 9mm, Thread Pitch M15x1.50 - PIKE, RS1, Lyrik B1, Yari
ns	00.4318.005.007	Axle Maxle Ultimate Front MTB, 15x110, Length 158mm, ThreadLength 9mm, Thread Pitch M15x1.50 - PIKE, Lyrik B1, Yari Boost Compatible
ns	11.4318.004.000	Maxle Ultimate Lever Assembly B1
ns	00.4318.005.018	Axle Maxle Stealth Front MTB, 15x100, Length 148mm, Thread Length 9mm, Thread Pitch M15x1.50 (not compatible with RS-1) Standard
ns	00.4318.005.019	Axle Maxle Stealth Front MTB, 15x110, Length 158mm, Thread Length 9mm, Thread Pitch M15x1.50 - Boost Compatible

DECALS

No.	Part Number	Description
bulk	11.4318.003.473	Decal Kit SID - White decal/Diffusion Black Lower Leg - B1 (2017+)
bulk	11.4318.003.472	Decal Kit SID Stealth - Gloss Black decal/Diffusion Black Lower Leg - B1 (2017+)
bulk	11.4318.003.471	Decal Kit SID - Gloss White decal/Black Lower Leg - B1 (2017+)
bulk	11.4318.003.470	Decal Kit SID - Gloss Black decal/White Lower Leg - B1 (2017+)

BULK

No.	Part Number	Description
bulk	11.4015.259.000	Crush Washer 8mm, Qty 50
bulk	11.4018.028.009	Foam Ring 32mm x45mm Qty 20 - SID RLC A1 XX/RL B1
bulk	11.4018.028.010	Dust Seal/Foam Ring Black 32mm SKF Seal, 4mm Foam Ring - SID RLC A1 XX/RL B1
bulk	11.4018.028.015	Foam Ring 32mm x4mm Qty 20 - SID RLC A1/SID XX/RL B1 (2017+)

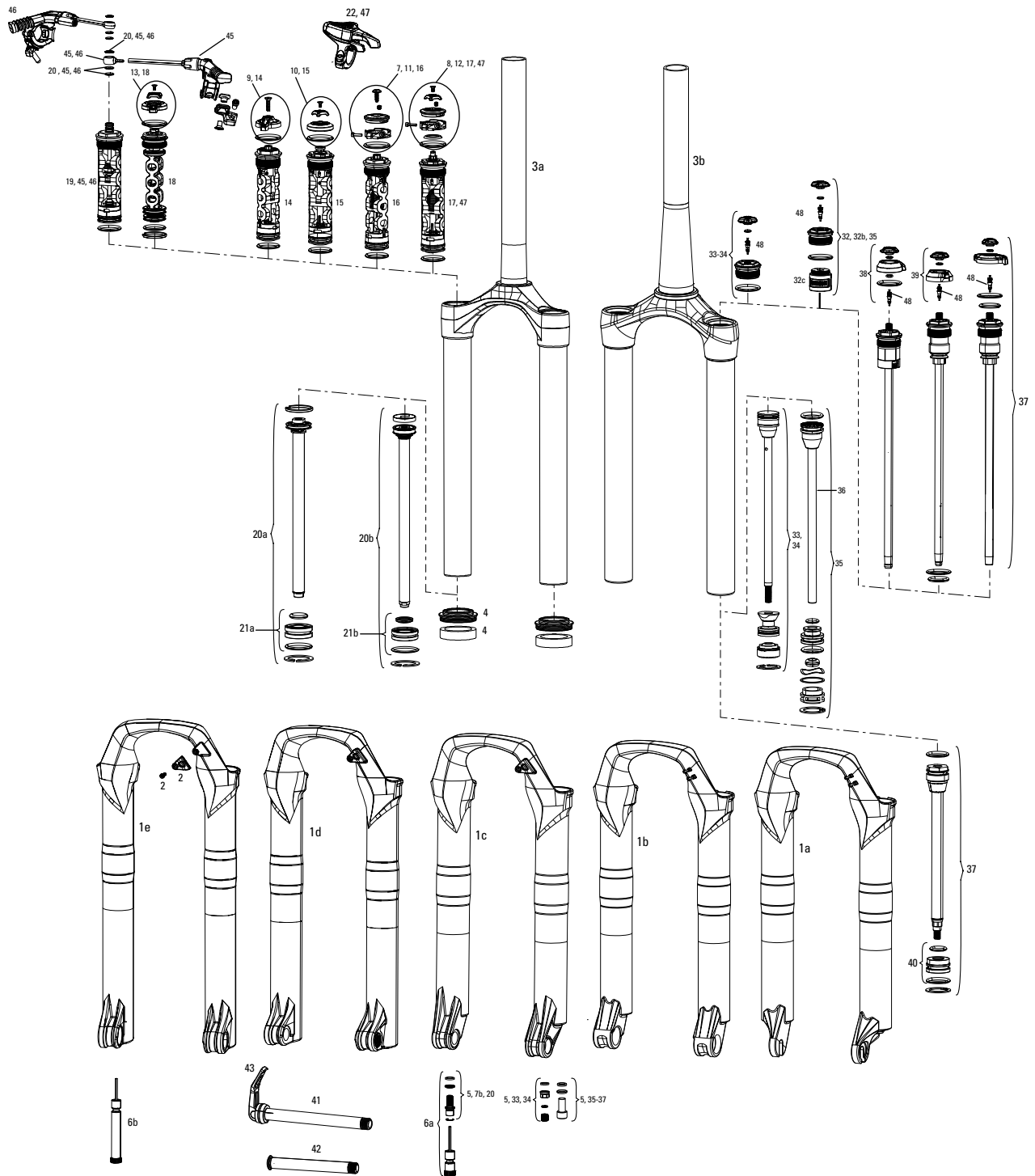


Note:

1. Full service kits include replaceable o-rings, glide rings, retaining rings, crush washers, crush washer retainers and shaft bolts/nuts. All air service kits include replacement schrader valve cores. All basic service kits include the following replaceable wear items: o-rings, glide rings, dust seals, and foam rings.
 2. 2013+ XLoc remote uses Reverb hydraulic fluid.



No.	Part Number	Description
1a	11.4018.042.010	Inner Tube Stanchion Right Side Black - RS1
1b	11.4018.042.020	Inner Tube Stanchion Left Side Black - RS1
1a	11.4018.042.030	Inner Tube Stanchion Right Side Diffusion Black - RS1
1b	11.4018.042.040	Inner Tube Stanchion Left Side Diffusion Black - RS1
1a	11.4018.042.050	Inner Tube Stanchion Right Side Black 510S - RS1
1b	11.4018.042.060	Inner Tube Stanchion Left Side Black 510S - RS1
1a	11.4018.042.070	Inner Tube Stanchion Right Side Diffusion Black 510S - RS1
1b	11.4018.042.080	Inner Tube Stanchion Left Side Diffusion Black 510S - RS1
2	11.4018.008.410	Carbon Fiber Upper RS1 Solo Air 27.5 Taper Gloss Black
2	11.4018.008.411	Carbon Fiber Upper RS1 Solo Air 27.5 Taper Gloss White
2	11.4018.008.412	Carbon Fiber Upper RS1 Solo Air 27.5 Taper Diffusion Black
2	11.4018.008.348	Carbon Fiber Upper RS1 Solo Air 29 Taper Gloss Black
2	11.4018.008.413	Carbon Fiber Upper RS1 Solo Air 29 Taper Gloss White
2	11.4018.008.349	Carbon Fiber Upper RS1 Solo Air 29 Taper Diffusion Black
4	11.4018.028.011	Dust Seal 32 X 41 Black - Bluto/RS1/ SID B1 (2017+)/32mm Boost Forks Qty 2 (flangeless)
5	11.4015.544.350	Compression Damper, Remote Adjust, Accelerator - RS1
6	11.4015.404.024	Rebound Adjuster Knob/Bolt Kit - RS1
7	11.4018.025.013	Rebound Damper and Seal Head Assembly/Shaft Bolt - RS1
8	11.4015.353.050	Seal Head Assembly (Rebound Damper, Accelerator) 32mm - RS1
9	11.4018.044.000	Bottom Cap, Damper - RS1
10	11.4018.043.010	Damper Cartridge Tube - RS1
11	11.4315.013.090	Remote XLoc Right Gold Adjuster (includes hose/banjo/cover part) - RS1
11	11.4315.013.100	Remote XLoc Left Gold Adjuster (includes hose/banjo/cover part) - RS1
12	11.4315.013.110	Remote XLoc Full Sprint Right Gold Adjuster (includes hose/banjo/cover part) - RS1
12	11.4315.013.120	Remote XLoc Full Sprint Left Gold Adjuster (includes hose/banjo/cover part) - RS1
13	11.4315.014.010	Button/Boot/Master Piston Assembly, XLoc Left
13	11.4315.014.020	Button/Boot/Master Piston Assembly, XLoc Right
14	11.4318.007.000	Button/Boot/Master Piston Assembly, XLoc Full Sprint, Gold Adjuster
15	11.4315.016.010	Clamp/Bracket Hardware, XLoc Left, Ti Hardware
15	11.4315.016.020	Clamp/Bracket Hardware, XLoc Right, Ti Hardware
16	11.4318.008.000	Floodgate Adjuster Assembly, XLoc Sprint/Full Sprint - GoldAdjuster 2014-2016
17	11.4315.019.000	XLoc Sprint Remote Service Kit
18	11.4318.006.010	XLoc Full Sprint Remote Service Kit (includes ratchet wheel and O-rings)
19	11.4318.002.020	Hydraulic Hose/Barb/Compression Fitting XLoc Monarch XX FullSprint Connectamajig 2000mm Qty 1 (use with Reverb fluid only) B1
19	11.4318.002.030	Hydraulic Hoses/Barbs/Compression Fittings XLoc Monarch XX Full Sprint Connectamajig 2000mm Qty 10 (use with Reverb fluid only) B1
ns	11.4315.011.030	ROCKSHOX Bleed Kit (XLoc/Totem) Qty 2 (includes two syringes and fittings, one torx tool)
20	11.4318.005.000	Connectamajig Collar Suspension Black - Reverb/XLoc Full sprint
21	11.4018.045.000	Anchor Fitting Kit Right (includes anchor bolt and anchor fitting) RS1
22	11.4018.046.000	Cable Guide Clips CSU RS1 - QTY 2
23	11.4015.403.060	Shaft Fastener Kit RS1 (Includes shaft bolts and crush washers)
24	11.4018.047.000	Cover Kit CSU RS1 (Includes air side and damper side cover)
25	11.4018.012.006	Air Top Cap, Reba/SID/Revelation/RS1/Bluto/Argyle RCT Black(32mm aluminum upper tubes only, Bottomless Token compatible)
26	11.4018.032.002	Bottomless Tokens/Air Cap Kit 32mm (includes 5 tokens/32mm internally threaded air cap) - Reba/SID/Revelation/RS1/Bluto/Argyle RCT Solo Air
27	11.4018.032.003	Bottomless Tokens Qty 5 32mm SID/Reba/Revelation/RS1/Bluto/Argyle RCT Solo Air
28	11.4018.021.005	Air Shaft Reba/SIDB/RS1 120mm travel (can be used to change travel to 120mm on RS1/SIDB & Reba 26" Solo Air, not compatible with Dual Air)
28	11.4018.021.006	Air Shaft Reba/SIDB/RS1 110mm travel (can be used to change travel to 110mm on RS1/SIDB & Reba 26" Solo Air, not compatible with Dual Air)
28	11.4018.021.007	Air Shaft Reba/SIDB/RS1 100mm travel (can be used to change travel to 100mm on RS1/SIDB & Reba 26" Solo Air, not compatible with Dual Air)
28	11.4018.021.011	Air Shaft Reba/SIDB/RS1 95mm travel (can be used to change travel to 95mm on RS1/SIDB & Reba 26" Solo Air, not compatible with Dual Air)
28	11.4018.021.008	Air Shaft Reba/SIDB/RS1 90mm travel (can be used to change travel to 90mm on RS1/SIDB & Reba 26" Solo Air, not compatible with Dual Air)
28	11.4018.021.009	Air Shaft Reba/SIDB/RS1 80mm travel (can be used to change travel to 80mm on RS1/SIDB & Reba 26" Solo Air, not compatible with Dual Air)
29	11.4018.048.001	Spring Internals RS1 120 Black (includes air spring, top cap, bump stop, anchor fittings)
29	11.4018.048.000	Spring Internals RS1 100 Black (includes air spring, top cap, bump stop, anchor fittings)
29	11.4018.048.004	Spring Internals RS1 95 Black (includes air spring, top cap, bump stop, anchor fittings)
29	11.4018.048.003	Spring Internals RS1 90 Black (includes air spring, top cap, bump stop, anchor fittings)
29	11.4018.048.002	Spring Internals RS1 80 Black (includes air spring, top cap, bump stop, anchor fittings)
FS	11.4018.054.000	Service Kit Full - RS1
S	00.4315.032.500	AM Fork Service Kit, Basic (includes dust seals, foam rings, o-ring seals) - RS1
32	00.4318.005.001	Axle Maxle Ultimate Front MTB, 15x100, Length 148mm, ThreadLength 9mm, Thread Pitch M15x1.50 - PIKE, RS1, Lyrik B1, Yari
ns	11.4318.004.000	Maxle Ultimate Lever Assembly B1
ns	11.4318.003.427	Decal Kit RS1 27.5/29 Silver/Black Lower Leg
ns	11.4318.003.428	Decal Kit RS1 27.5/29 Silver/White Lower Leg
ns	11.4318.003.429	Decal Kit RS1 27.5/29 Silver/Diffusion Black Lower Leg
ns	11.4318.003.430	Decal Kit RS1 27.5/29 Red/Black Lower Leg
ns	11.4318.003.431	Decal Kit RS1 27.5/29 Red/White Lower Leg
ns	11.4318.003.432	Decal Kit RS1 27.5/29 Red/Diffusion Black Lower Leg
bulk	11.4018.028.010	Dust Seal 32 X 41 Black - Bluto/RS1/ SID B1 (2017+)/32mm Boost Forks Qty 20 (flangeless)
bulk	11.4015.259.000	Crush Washer 8mm, Qty 50
bulk	11.4015.260.000	Crush Washer Retainer, Qty 50
33	11.4308.327.002	Schrader Valve Core Qty 2
ns	00.4315.022.010	Schrader Valve Removal Tool Rockshox
ns	00.4315.023.010	High-Pressure Fork/Shock Pump (300 psi Max) RockShox
ns	00.4315.023.040	High-Pressure Fork/Shock Pump (300 psi Max) RockShox DigitalGauge
34	00.4318.012.000	Anchor Fitting Tool for RS1 (reverse threaded)
ns	00.4318.007.001	RockShox Standard Bleed Kit (includes 2 Syringes/fittings, Reverb Hydraulic Fluid, 120ml Bottle new)
ns	11.4315.021.020	RockShox Suspension Oil, 5wt, 120ml Bottle - Fork Damper
ns	11.4015.354.010	RockShox Suspension Oil, 5wt, 1 Liter Bottle - Fork Damper
ns	11.4015.354.030	RockShox Suspension Oil, 15wt, 1 Liter Bottle - Lower Legs
ns	00.4318.008.000	Grease SRAM Butter 20ml Syringe, Friction Reducing Grease bySlickoleum - Recommended for X0/Rise XX/Roam 40, 30/Rail 40/Rise 60 B1/ Hub Pawls, RockShox Forks and Reverb Service
ns	00.4318.008.001	Grease SRAM Butter 1oz Container, Friction Reducing Grease by Slickoleum - Recommended for X0/Rise XX/Roam 40, 30/Rail 40/Rise 60 B1/ Hub Pawls, RockShox Forks and Reverb Service



Note:

IMPORTANT - 2010+ Revelation: 150mm air spring assembly NOT compatible with 2006-2009 Revelation forks.

1. Full service kits include replaceable rebound damper sealheads, o-rings, glide rings, retaining rings, crush washers, crush washer retainers and shaft bolts/nuts. All air service kits include replacement schrader valve cores. Not all service parts are pictured. All basic service kits include the following replaceable wear items: o-rings, glide rings, dust seals, and foam rings.
2. Rebound damper and spring shaft kits include crush washers, crush washer retainers and shaft bolts, as well as upper tube retaining rings and rebound adjuster knob.
3. Convert from Crown Adjust to Remote Adjust: Use upgrade kits.
4. Solo Air internals require Solo Air CSU; Solo Air internals are not compatible with Dual Air CSU. Dual Air internals require Dual Air CSU; Dual Air internals are not compatible with Solo Air CSU.
5. Revelation RCT3 A3 (2014+) compression damper must be used with Revelation A3 rebound damper (with Rapid Recovery valving). Revelation RCT3 A2 (2012-2013) compression damper is not compatible with Revelation RCT3 A3 compression damper.
6. 2011-2012 XLoc remote uses 2.5wt suspension fluid. 2013+ XLoc remote uses Reverb hydraulic fluid. Use fluid indicated on fork top cap.

REVELATION (A1-A4/2010-2017)



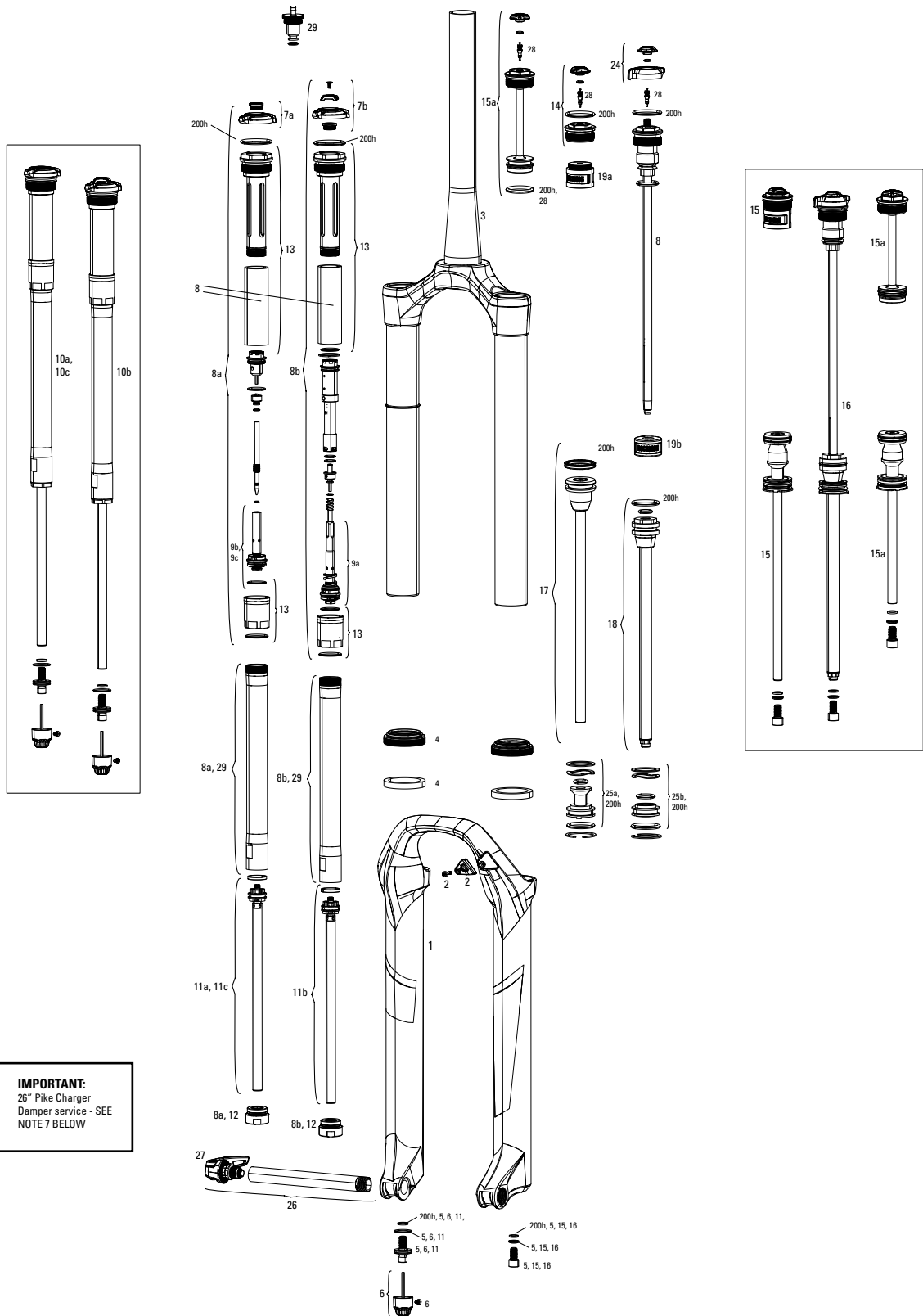
No.	Part Number	Description
1a	11.4015.395.010	Lower Leg 26", 9mm QR, White - 2010-2016 Revelation/2011-2016 Sektor (no decals)
1a	11.4015.395.020	Lower Leg 26", 9mm QR, Black - 2010-2016 Revelation/2011-2016 Sektor (no decals)
1a	11.4018.006.178	Lower Leg Revelation 26Q Disc Black (decals not included) A1A3 (2010-2016)
1a	11.4018.006.179	Lower Leg Revelation 26Q Disc White (decals not included) A1A3 (2010-2016)
1a	11.4018.006.180	Lower Leg Revelation 26Q Disc Diffusion Black (decals not included) A1-A3 (2010-2016)
1b	11.4015.395.030	Lower Leg 26", Maxle Lite 20mm, White - 2010-2016 Revelation/2011-2016 Sektor (no decals)
1b	11.4015.395.040	Lower Leg 26", Maxle Lite 20mm, Black - 2010-2016 Revelation/2011-2016 Sektor (no decals)
1c	11.4015.395.050	Lower Leg 26" Maxle Lite 15mm, White 2010-2016 Revelation/2011-2016 Sektor/2012-2016 Recon Gold (no decals)
1c	11.4015.395.060	Lower Leg 26" Maxle Lite 15mm, Black 2010-2016 Revelation/2011-2016 Sektor/2012-2016 Recon Gold (no decals)
1c	11.4015.395.070	Lower Leg 26" Maxle Lite 15mm, Diffusion Black 2010-2016 Revelation/2011-2016 Sektor/2012-2016 Recon Gold (no decals)
1c	11.4018.006.181	Lower Leg Revelation 2615 Disc Black (decals not included) A1-A3 (2010-2016)
1c	11.4018.006.182	Lower Leg Revelation 2615 Disc White (decals not included) A1-A3 (2010-2016)
1c	11.4018.006.183	Lower Leg Revelation 2615 Disc Diffusion Black (decals not included) A1-A3 (2010-2016)
1d	11.4018.006.184	Lower Leg Revelation 27.5/650B, Maxle 15 Disc Black (decalsnot included) A1-A3 (2010-2016)
1d	11.4018.006.185	Lower Leg Revelation 27.5/650B, Maxle 15 Disc White (decalsnot included) A1-A3 (2010-2016)
1d	11.4018.006.186	Lower Leg Revelation 27.5/650B, Maxle 15 Disc Diffusion Black (decals not included) A1-A3 (2010-2016)
1e	11.4018.006.187	Lower Leg Revelation 2915 Disc Black (decals not included) A1-A3 (2010-2016)
1e	11.4018.006.188	Lower Leg Revelation 2915 Disc White (decals not included) A1-A3 (2010-2016)
1e	11.4018.006.189	Lower Leg Revelation 2915 Disc Diffusion Black (decals not included) A1-A3 (2010-2016)
1d	11.4018.006.283	Lower Leg Revelation 27 Boost Compatible 15X110 Disc Diffusion Black (decals not included) - Revelation 15x110 Boost (2017+)
1e	11.4018.006.284	Lower Leg Revelation 2927+ Boost Compatible 15X110 Disc White (decals not included)
1e	11.4018.006.254	Lower Leg Revelation 2927+ Boost Compatible 15X110 Disc Black (decals not included)
1e	11.4018.006.255	Lower Leg Revelation 2927+ Boost Compatible 15X110 Disc Diffusion Black (decals not included)
2	11.4015.534.010	Hydraulic Hose Clamp, Lower Leg
3a	11.4015.396.140	CSU 26 Dual Air White 1 1/8" - 2012 Revelation (compatible with 2010-2011) (Dual Air only, not compatible with Solo Airspring assy)
3a	11.4015.396.150	CSU 26 Dual Air Black 1 1/8" - 2012 Revelation (compatible with 2010-2011) (Dual Air only, not compatible with Solo Airspring assy)
3a	11.4015.396.180	CSU 26 Dual Air White 1 1/8" - 2012 Revelation XX (compatible with 2010-2011) (Dual Air only, not compatible with Solo Air spring assy)
3a	11.4015.396.190	CSU 26 Dual Air Black 1 1/8" - 2012 Revelation XX (compatible with 2010-2011) (Dual Air only, not compatible with Solo Air spring assy)
3b	11.4015.396.160	CSU 26 Dual Air White Tapered - 2012 Revelation (compatiblewith 2010-2011) (Dual Air only, not compatible with Solo Airspring assy)
3b	11.4015.396.170	CSU 26 Dual Air Black Tapered - 2012 Revelation (compatiblewith 2010-2011) (Dual Air only, not compatible with Solo Airspring assy)
3b	11.4015.396.200	CSU 26 Dual Air White Tapered - 2012 Revelation XX (compatible with 2010-2011) (Dual Air only, not compatible with SoloAir spring assy)
3b	11.4015.396.210	CSU 26 Dual Air Black Tapered - 2012 Revelation XX (compatible with 2010-2011) (Dual Air only, not compatible with SoloAir spring assy)
3b	11.4015.396.220	CSU 26 Dual Air Carbon Tapered - Revelation 12 World Cup Dual Air/13 World Cup DPA (not compatible with Solo Air springassy)
3b	11.4015.396.230	CSU 26 Dual Air Carbon Tapered - Revelation 12 XX World CupDual Air, DPA/13 XX World Cup DPA (not compatible with SoloAir spring assy)
3b	11.4015.396.240	CSU Dual Air 12 Revelation 29 Aluminum Black 510S Tapered (Dual Air only, not compatible with Solo Air)
3b	11.4015.396.250	CSU Dual Air 12 Revelation 29 Aluminum White 510S Tapered (Dual Air only, not compatible with Solo Air)
3b	11.4015.396.260	CSU Dual Air 12 Revelation XX 29 Aluminum Black 510S Tapered(Dual Air only, not compatible with Solo Air)
3b	11.4015.396.270	CSU Dual Air 12 Revelation XX 29 Aluminum White 510S Tapered(Dual Air only, not compatible with Solo Air)
3b	11.4015.396.280	CSU Dual Air 12 Revelation 29 Aluminum Diffusion Black 510STapered (Dual Air only, not compatible with Solo Air)
ns	11.4015.396.090	CSU, Air U-Turn, Black, 1.5" - 2010-2011 Revelation
ns	11.4015.396.100	CSU, 26 Dual Air/Dual Position Air, White, 1.5" - 2010-2011Revelation (not compatible with Solo Air spring assy)
ns	11.4015.396.110	CSU, 26 Dual Air/Dual Position Air, Black, 1.5" - 2010-2011Revelation (not compatible with Solo Air spring assy)
3a	11.4018.008.274	CSU Revelation Solo Air 26 Aluminum 11/8 Black (with Black Upper Tubes) A2-A3 (2013-2016)
3a	11.4018.008.275	CSU Revelation Solo Air 26 Aluminum 11/8 White (with Black Upper Tubes) A2-A3 (2013-2016)
3a	11.4018.008.276	CSU Revelation Solo Air 26 Aluminum 11/8 Diffusion Black (with Black Upper Tubes) A2-A3 (2013-2016)
3a	11.4018.008.277	CSU Revelation Dual Position Air 26 Aluminum 11/8 Black (with Black Upper Tubes) A2-A3 (2013-2016)
3a	11.4018.008.278	CSU Revelation Dual Position Air 26 Aluminum 11/8 White (with Black Upper Tubes) A2-A3 (2013-2016)
3a	11.4018.008.279	CSU Revelation Dual Position Air 26 Aluminum 11/8 DiffusionBlack (with Black Upper Tubes) A2-A3 (2013-2016)
3b	11.4018.008.280	CSU Revelation Solo Air 26 Aluminum Taper Black (with BlackUpper Tubes) A2-A3 (2013-2016)
3b	11.4018.008.281	CSU Revelation Solo Air 26 Aluminum Taper White (with BlackUpper Tubes) A2-A3 (2013-2016)
3b	11.4018.008.282	CSU Revelation Solo Air 26 Aluminum Taper Diffusion Black (with Black Upper Tubes) A2-A3 (2013-2016)
3b	11.4018.008.283	CSU Revelation Solo Air 26 Carbon Taper Black (with Black Upper Tubes) A2-A3 (2013-2016)
3b	11.4018.008.284	CSU Revelation Solo Air 26 Carbon Taper Diffusion Black (with Black Upper Tubes) A2-A3 (2013-2016)
3b	11.4018.008.285	CSU Revelation Dual Position Air 26 Aluminum Taper Black (with Black Upper Tubes) A2-A3 (2013-2016)
3b	11.4018.008.286	CSU Revelation Dual Position Air 26 Aluminum Taper White (with Black Upper Tubes) A2-A3 (2013-2016)
3b	11.4018.008.287	CSU Revelation Dual Position Air 26 Aluminum Taper DiffusionBlack (with Black Upper Tubes) A2-A3 (2013-2016)
3b	11.4018.008.288	CSU Revelation Dual Position Air 26 Carbon Taper Black (withBlack Upper Tubes) A2-A3 (2013-2016)
3b	11.4018.008.289	CSU Revelation Dual Position Air 26 Carbon Taper Diffusion Black (with Black Upper Tubes) A2-A3 (2013-2016)
3b	11.4018.008.290	CSU Revelation Solo Air 27.5 Aluminum Taper Black (with Black Upper Tubes) A2-A3 (2013-2016)
3b	11.4018.008.291	CSU Revelation Solo Air 27.5 Aluminum Taper White (with Black Upper Tubes) A2-A3 (2013-2016)
3b	11.4018.008.292	CSU Revelation Solo Air 27.5 Aluminum Taper Diffusion Black(with Black Upper Tubes) A2-A3 (2013-2016)
3b	11.4018.008.293	CSU Revelation Dual Position Air 27.5 Aluminum Taper Black (with Black Upper Tubes) A2-A3 (2013-2016)
3b	11.4018.008.294	CSU Revelation Dual Position Air 27.5 Aluminum Taper White (with Black Upper Tubes) A2-A3 (2013-2016)
3b	11.4018.008.295	CSU Revelation Dual Position Air 27.5 Aluminum Taper Diffusion Black (with Black Upper Tubes) A2-A3 (2013-2016)
3b	11.4018.008.374	CSU Revelation Dual Position Air 27.5 Aluminum Taper T2 Diffusion Black A2-A3
3b	11.4018.008.377	CSU Revelation Solo Air 29 46 Off-Set Aluminum 1.5 White A2-A3
3b	11.4018.008.296	CSU Revelation Solo Air 29 46 Off-Set Aluminum Taper Black (with Black Upper Tubes) A2-A3 (2013-2016)
3b	11.4018.008.297	CSU Revelation Solo Air 29 46 Off-Set Aluminum Taper White (with Black Upper Tubes) A2-A3 (2013-2016)
3b	11.4018.008.298	CSU Revelation Solo Air 29 46 Off-Set Aluminum Taper Diffusion Black (with Black Upper Tubes) A2-A3 (2013-2016)
3b	11.4018.008.299	CSU Revelation Dual Position Air 29 46 Off-Set Aluminum Taper Black (with Black Upper Tubes) A2-A3 (2013-2016)
3b	11.4018.008.300	CSU Revelation Dual Position Air 29 46 Off-Set Aluminum Taper White (with Black Upper Tubes) A2-A3 (2013-2016)
3b	11.4018.008.301	CSU Revelation Dual Position Air 29 46 Off-Set Aluminum Taper Diffusion Black (with Black Upper Tubes) A2-A3 (2013-2016)
3b	11.4018.008.302	CSU Revelation Solo Air 29 51 Off-Set Aluminum Taper Black (with Black Upper Tubes) A2-A3 (2013-2016)
3b	11.4018.008.303	CSU Revelation Solo Air 29 51 Off-Set Aluminum Taper White (with Black Upper Tubes) A2-A3 (2013-2016)
3b	11.4018.008.304	CSU Revelation Solo Air 29 51 Off-Set Aluminum Taper Diffusion Black (with Black Upper Tubes) A2-A3 (2013-2016)
3b	11.4018.008.305	CSU Revelation Dual Position Air 29 51 Off-Set Aluminum Taper Black (with Black Upper Tubes) A2-A3 (2013-2016)
3b	11.4018.008.306	CSU Revelation Dual Position Air 29 51 Off-Set Aluminum Taper White (with Black Upper Tubes) A2-A3 (2013-2016)
3b	11.4018.008.307	CSU Revelation Dual Position Air 29 51 Off-Set Aluminum Taper Diffusion Black (with Black Upper Tubes) A2-A3 (2013-2016)
3b	11.4018.008.462	CSU Revelation Solo Air 2927+ 51 Boost Compatible Off-Set Aluminum Taper Black (no gradients)
3b	11.4018.008.463	CSU Revelation Solo Air 2927+ 51 Boost Compatible Off-Set Aluminum Taper Diffusion Black (no gradients)
3b	11.4018.008.498	CSU Revelation Solo Air 27 Boost Compatible 51mm Off-Set Aluminum Taper Diffusion Black
3b	11.4018.008.499	CSU Revelation Solo Air 2927+ Boost Compatible 51mm Off-Set Aluminum Taper Diffusion Black
3b	11.4018.008.500	CSU Revelation Solo Air 29 51 Off-Set Aluminum Taper Diffusion Black
4	11.4310.290.000	Dust Seal/Foam Ring Grey 32mm Seal, 10mm Foam Ring-Revelation/Argyle/Sektor/Tora/Recon/XC32
4	11.4018.028.000	Dust Seal/Foam Ring Black 32mm Seal, 10mm Foam Ring - Revelation A3 (flanged)
5	11.4015.403.010	Shaft Fastener Kit, Aluminum - 2010-2011 Revelation
6a	11.4015.404.010	Rebound Adjuster Knob/Bolt Kit, Aluminum Red Long (use withMaxle lower leg)
6b	11.4015.318.000	Rebound Damper Adjuster Knob Long/Bolt (Aluminum Red) - Tora/Recon/Reba/Revelation 27/29"
7	11.4018.011.003	Remote Spool/Cable Clamp Kit SID RL/Revelation RL (10mm Pull2013+ Damper/PushLoc and OneLoc) 2013-2016
8	11.4018.011.005	Remote Spool/Cable Clamp Kit SID RLT/Revelation RLT (10mm Pull 2013+ Damper/PushLoc and OneLoc) 2013-2016



No.	Part Number	Description
ns	11.4015.314.000	Compression Knob (set screw)/Internal Floodgate Cap Aluminum, Motion Control - Reba Revelation (2009-2011)
ns	11.4015.314.010	Compression Remote Spool 17mm (set screw)/Internal FloodgateCap/Cable Clamp Remote Aluminum, Motion Control - Reba Revelation (2009-2011)
ns	11.4015.294.000	Compression Knob (set screw)/External Floodgate Adjuster Knob Alum, Motion Control - SID RLT (2009-2011)/Reba RLT (2011-2012)/Revelation RLT (2011-2012)
ns	11.4015.295.000	Compression Remote Spool 17mm (set screw)/External FloodgateAdj Knob/Cable Clamp, Motion Control-SIDRLT 09-11/RebaRLT 11-12/RevelationRLT 11-12 (not compatible w/13 PushLoc 10mm)
ns	11.4015.294.010	Compression Knob (set screw)/Floodgate Adjuster Knob Carbon,Black Box Motion Control - SID/Reba (2009-2011)
ns	11.4015.295.010	Compression Remote Spool 17mm (set screw)/Floodgate AdjusterKnob/Cable Clamp, Black Box Motion Control - SID Reba 09-11(not compatible with 2013 PushLoc 10mm)
9	11.4015.547.020	Compression Knob Kit, Motion Control DNA - SID A RL/ Revelation RL A1-A3 (2012-2016)
10	11.4015.547.030	Compression Knob Kit, Motion Control DNA - SID A RL/Revelation RLT A1-A3 (2012-2016)
11	11.4015.547.040	Remote Spool Kit 17mm (includes cable clamp), Motion ControlDNA - SID A RL/ Revelation RL A1-A2 (2012-2013)
12	11.4015.547.050	Remote Spool Kit 17mm (includes cable clamp), Motion ControlDNA - SID A RL/ Revelation RLT A1-A2 (2012-2013)
13	11.4015.547.100	Knob Kit, Compression Damper, RCT3 - SID A/Revelation A1-A3, Bluto A1 (2012-2016)
14	11.4015.544.090	Compression Damper, Motion Control DNA, Crown Adjust - Revelation RL (includes compression knob) A1-A3 (2012-2016) Reba (2009-2011)
15	11.4015.544.110	Compression Damper, Motion Control DNA, Crown Adjust - Revelation RLT (includes compression knob) A1-A3 (2012-2016) Reba (2009-2011)
16	11.4015.544.100	Compression Damper, Motion Control DNA, Remote Adjust 17mm -Revelation RL (includes remote spool and cable clamp) A1-A2(2012-2013) Reba (2009-2011)
16	11.4015.544.250	Compression Damper, Motion Control, Remote Adjust 10mm - Revelation RL (incl. remote spool and cable clamp; compatible with 2013-2015 PushLoc and OneLoc) A2-A3 (2013-2016)
17	11.4015.544.120	Compression Damper, Motion Control DNA, Remote Adjust 17mm -Revelation RLT (includes remote spool and cable clamp) A1-A2(2012-2013) Reba (2009-2011)
17	11.4015.544.260	Compression Damper, Motion Control Threshold, Remote Adjust10mm - Revelation RLT (incl. spool & cable clamp; compatiblewith 2013-2015 PushLoc and OneLoc) A2-A3 (2013-2016)
ns	11.4015.544.130	Compression Damper, Motion Control DNA, Crown Adjust - Revelation RCT3 (includes compression knobs) A1-A2 (2012-2013) Reba (2009-2011)
18	11.4015.544.290	Compression Damper, Motion Control DNA, Crown Adjust - Revelation RCT3 Black (includes compression knobs) A3 (2014-2016) Reba (2009-2011)
18	11.4015.544.300	Compression Damper, Motion Control DNA, Crown Adjust - Revelation RCT3 Silver (includes compression knobs) A3 (2014-2016) Reba (2009-2011)
19	11.4015.544.200	Compression Damper, Motion Control DNA, Crown Adjust - Revelation RCT3 (includes compression knobs) A1-A2 (2012-2013) Reba (2009-2011)
ns	11.4418.007.002	Compression Damper, Revelation 26/29 Specialized RC3 MotionControl Threshold, Crown Adjust - 2014-2016
20a	11.4015.545.030	Rebound Damper and Seal Head Assembly/Shaft Bolt (150mm maxtravel) -Revelation 26", 27.5"/650B, 29" 2010-2013
20b	11.4018.025.003	Rebound Damper and Seal Head Assembly/Shaft Bolt- Revelation26/ 27.5/ 29 A3 (2014-2016)
21a	11.4015.353.010	Seal Head Assembly (Rebound Damper, Motion Control) 32mm - SIDA 2009-2014, SIDB 2011-2013, Reba 2009-present, Revelation2009-2013, Bluto RL 2015-present
21b	11.4015.353.080	Seal Head Assembly (Rebound Damper, Motion Control) 12.5 Aluminum shaft 32mm - SIDB 2014-present, Revelation 2014-present, Bluto RLT 2015-present
ns	11.4308.848.000	PopLoc Lever Left (17mm cable pull, not compatible with 2013+ Motion Control)
ns	11.4309.207.000	PopLoc Lever Right (17mm cable pull, not compatible with 2013+ Motion Control)
ns	11.4308.849.000	PopLoc Adjust Lever Left (17mm cable pull, not compatible with 2013+ Motion Control)
ns	11.4309.208.000	PopLoc Adjust Lever Right (17mm cable pull, not compatible with 2013+ Motion Control)
22	00.4318.002.009	Remote - OneLoc Left/above, Right/below 10mm, Remote Only (includes remote, cable&housing)-SID,Reba,Revelation,Bluto,Sektor,ReconGold(2013-2017)
22	00.4318.002.010	Remote - OneLoc Right/above, Left/below 10mm, Remote Only (includes remote, cable&housing)-SID,Reba,Revelation,Bluto,Sektor,ReconGold(2013-2017)
ns	11.4315.011.030	ROCKSHOX Bleed Kit (XLoc/Totem) Qty 2 (includes two syringesand fittings, one torx tool)
32	11.4018.012.006	Air Top Cap, Reba/SID/Revelation/RS1/Bluto/Argyle RCT Black(32mm aluminum upper tubes only, Bottomless Token compatible)
32b	11.4018.032.002	Bottomless Tokens/Air Cap Kit 32mm (includes 5 tokens/32mm internally threaded air cap) - Reba/SID/Revelation/RS1/Bluto/Argyle RCT Solo Air
32c	11.4018.032.003	Bottomless Tokens Qty 5 32mm SID/Reba/Revelation/RS1/Bluto/Argyle RCT Solo Air
33	11.4015.394.000	Air Spring Assembly, Dual Air - 2010-2011 Revelation
34	11.4015.546.060	Spring Assembly (Dual Air) and Air Top Cap Kit (remove all-travel spacers for 150mm max travel) - 2012 Revelation 26"
34	11.4015.546.070	Spring Assembly (Dual Air) and Air Top Cap Kit (remove all-travel spacers for 140mm max travel) - 2012 Revelation 29"
35	11.4018.010.068	Spring Internals Left Solo Air Revelation 26, 27.5/650b, 29150 Black (includes air top cap, solo air spring and shaft bolt; not compatible with Dual Air CSU)
35	11.4018.010.128	Spring Internals Left Solo Air Revelation 26, 27.5/650b, 29140 Black (includes air top cap, 1 bottomless token, solo air spring and shaft bolt; not compatible with Dual Air CSU)
35	11.4018.010.129	Spring Internals Left Solo Air Revelation 26, 27.5/650b, 29130 Black (includes air top cap, 2 bottomless tokens, solo air spring and shaft bolt; not compatible with Dual Air CSU)
35	11.4018.010.130	Spring Internals Left Solo Air Revelation 26, 27.5/650b, 29120 Black (includes air top cap, 3 bottomless tokens, solo air spring and shaft bolt; not compatible with Dual Air CSU)
35	11.4018.010.131	Spring Internals Left Solo Air Revelation 26, 27.5/650b, 29110 Black (includes air top cap, 4 bottomless tokens, solo air spring and shaft bolt; not compatible with Dual Air CSU)
35	11.4018.010.132	Spring Internals Left Solo Air Revelation 26, 27.5/650b, 29100 Black (includes air top cap, 5 bottomless tokens, solo air spring and shaft bolt; not compatible with Dual Air CSU)
36	11.4018.022.000	Air Shaft Revelation 150mm travel 26"/27.5"/29" (can be usedto change travel to 150mm on 26"/27.5"/29" Solo Air, not compatible with Dual Air)
36	11.4018.022.001	Air Shaft Revelation 140mm travel 26"/27.5"/29" (can be usedto change travel to 140mm on 26"/27.5"/29" Solo Air, not compatible with Dual Air)
36	11.4018.022.002	Air Shaft Revelation 130mm travel 26"/27.5"/29" (can be usedto change travel to 130mm on 26"/27.5"/29" Solo Air, not compatible with Dual Air)
36	11.4018.022.003	Air Shaft Revelation 120mm travel 26"/27.5"/29" (can be usedto change travel to 120mm on 26"/27.5"/29" Solo Air, not compatible with Dual Air)
36	11.4018.022.004	Air Shaft Revelation 110mm travel 26"/27.5"/29" (can be usedto change travel to 110mm on 26"/27.5"/29" Solo Air, not compatible with Dual Air)
36	11.4018.022.005	Air Shaft Revelation 100mm travel 26"/27.5"/29" (can be usedto change travel to 100mm on 26"/27.5"/29" Solo Air, not compatible with Dual Air)
ns	11.4015.406.000	Service Kit, Dual Air/Motion Control - 2010-2011 Revelation
ns	11.4015.550.000	Service Kit (full), Dual Air/Motion Control DNA - 2012 Revelation
ns	11.4015.553.000	Service Kit (full), Dual Position Air/Motion Control DNA - 2012 Revelation
ns	11.4018.007.000	Service Kit (full), Dual Position Air/Motion Control DNA - 2012 Revelation New (Dual Wing Adjuster Knob)
ns	11.4018.019.001	Service Kit Full (includes solo air and damper seals, hardware & Black Seals) - Revelation Solo Air A2-A3 (2013-2016)
ns	00.4315.032.180	AM Fork Service Kit, Basic (includes dust seals, foam rings,o-ring seals) - Revelation Dual Air (2012)
ns	00.4315.032.320	AM Fork Service Kit, Basic (includes dust seals, foam rings,o-ring seals) - Revelation Dual Position Air (2012-2013)
ns	00.4315.032.440	AM Fork Service Kit, Basic (includes dust seals, foam rings,o-ring seals) - Revelation Solo Air A3 (2014-2016)
ns	00.4315.032.450	AM Fork Service Kit, Basic (includes dust seals, foam rings,o-ring seals) - Revelation Dual Position Air A3 (2014-2016)
ns	11.4015.407.000	Service Kit, Air U-Turn/Motion Control - 2010 Revelation
37	11.4018.010.066	Spring Internals Left Dual Position Air Revelation 2629 140(includes air top cap, adjuster knob, Dual Spring Assembly and shaft bolt) A2-A3 (2013-2016)
37	11.4018.010.067	Spring Internals Left Dual Position Air Revelation 2627.5/650 150 (includes air top cap, adjuster knob, Dual Spring Assemblyand shaft bolt) A2-A3 (2013-2016)
ns	11.4015.450.000	All-Travel Spacer Kit (not compatible with SID/Reba/Revelation Solo Air Spring)
38	11.4015.552.010	Adjuster Knob Aluminum, Dual Position Air - 2011-2012 Revelation
39	11.4015.552.011	Adjuster Knob Aluminum, Dual Position Air - (Dual Wing Adjuster Knob) Revelation New A1-A4/PIKE/Lyrik B1/Yari
40	11.4015.505.010	Dual Position Air - Sealhead Assembly - Revelation
41	00.4318.005.002	Axle Maxle Lite Front MTB, 15x100, Length 148mm, Thread Length 9mm, Thread Pitch M15x1.50 - SID/Reba/Revelation/Recon/Sektor/XC32
41	00.4315.013.010	Axle Maxle Lite Front MTB 20x110 Length 158mm Thread Length9mm Thread Pitch M20x2.0 - 32mm Chassis (2011-2016)
42	00.4318.005.018	Axle Maxle Stealth Front MTB, 15x100, Length 148mm, Thread Length 9mm, Thread Pitch M15x1.50 (not compatible with RS-1) Standard
43	11.4318.004.001	Maxle Lite 15mm XC Lever Assembly
ns	11.4315.010.010	Lever/Wedge Kit, Rear Maxle Lite 135/150mm (axle body)/MaxleLite 15mm (front) - Black Lever 2010-2013
ns	11.4311.722.020	Lever/Wedge Kit, Maxle Lite 20mm (32mm/35mm/40mm) 2011
45	00.4318.004.007	Remote Upgrade Kit - XLoc Sprint -Includes Motion Control XDNA comp damper, bleed syringes, Left, MMX, Black - Revelation (2010-2016)
45	00.4318.004.008	Remote Upgrade Kit - XLoc Sprint -Includes Motion Control XDNA comp damper, bleed syringes, Right, MMX, Black - Revelation (2010-2016)
46	00.4318.004.003	Remote Upgrade Kit - XLoc Full Sprint - Includes Motion Control X DNA comp damper, rear shock hydraulic hose, bleed syringes, Left, MMX, Black - Revelation (2010-2016)
46	00.4318.004.004	Remote Upgrade Kit - XLoc Full Sprint - Includes Motion Control X DNA comp damper, rear shock hydraulic hose, bleed syringes, Right, MMX, Black - Revelation (2010-2016)
47	00.4318.002.018	Remote Upgrade Kit - OneLoc Right/above, Left/below 10mm MCRLT Damper Push to Lock (includes remote, comp damper, cable& housing -Revelation (2012-2017)
48	11.4308.327.002	Schrader Valve Core Qty 2
ns	11.4318.003.308	Decal Kit Revelation 26 Silver/White Lower Leg A3
ns	11.4318.003.309	Decal Kit Revelation 26 Silver/Black Lower Leg A3
ns	11.4318.003.310	Decal Kit Revelation 26 Silver/Diffusion Black Lower Leg A3
ns	11.4318.003.433	Decal Kit Revelation 27.5/29 Silver/Black Lower Leg A3
ns	11.4318.003.434	Decal Kit Revelation 27.5/29 Silver/White Lower Leg A3
ns	11.4318.003.435	Decal Kit Revelation 27.5/29 Silver/Diffusion Black LowerLeg A3



No.	Part Number	Description
bulk	11.4015.259.000	Crush Washer 8mm, Qty 50
bulk	11.4015.260.000	Crush Washer Retainer, Qty 50
bulk	11.4310.695.000	Dust Seal 32mm Grey - SID/Revelation/Reba/Argyle/Sektor/Tora/Recon/XC32 QTY 20
bulk	11.4018.028.003	Dust Seal 32mm Black - SID/Reba/Revelation A3 Qty 20 (flanged)
bulk	11.4310.698.000	Foam Ring 32mm x 10mm - Revelation/Argyle/Sektor/Tora/Recon/XC32 Qty 20
bulk	11.4318.002.030	Hydraulic Hoses/Barbs/Compression Fittings XLoc Monarch XX Full Sprint Connectamajig 2000mm Qty 10 (use with Reverb fluid only) B1
ns	11.4015.453.010	Revelation XX Decal Kit
ns	11.4309.073.000	Kit Disk Brake Cable Accessory
ns	00.4315.023.010	High-Pressure Fork/Shock Pump (300 psi Max) RockShox
ns	00.4315.023.040	High-Pressure Fork/Shock Pump (300 psi Max) RockShox DigitalGauge
ns	00.4315.022.010	Schrader Valve Removal Tool Rockshox
ns	00.4318.007.001	RockShox Standard Bleed Kit (includes 2 Syringes/fittings, Reverb Hydraulic Fluid, 120ml Bottle new)
ns	11.4315.021.020	RockShox Suspension Oil, 5wt, 120ml Bottle - Fork Damper
ns	11.4015.354.010	RockShox Suspension Oil, 5wt, 1 Liter Bottle - Fork Damper
ns	11.4315.021.040	RockShox Suspension Oil, 15wt, 120ml Bottle - Lower Legs
ns	11.4015.354.030	RockShox Suspension Oil, 15wt, 1 Liter Bottle - Lower Legs
ns	00.4318.008.000	Grease SRAM Butter 20ml Syringe, Friction Reducing Grease bySlickoleum - Recommended for X0/Rise XX/Roam 40, 30/Rail 40/Rise 60 B1/ Hub Pawls, RockShox Forks and Reverb Service
ns	00.4318.008.001	Grease SRAM Butter 1oz Container, Friction Reducing Grease by Slickoleum - Recommended for X0/Rise XX/Roam 40, 30/Rail 40/Rise 60 B1/ Hub Pawls, RockShox Forks and Reverb Service



IMPORTANT:
26" Pike Charger
Damper service - SEE
NOTE 7 BELOW

Note:

1. Full service kits include replaceable o-rings, glide rings, retaining rings, crush washers, crush washer retainers and shaft bolts/nuts. All air service kits include replacement schrader valve cores. All basic service kits include the following replaceable wear items: o-rings, glide rings, dust seals, and foam rings.
2. Charger damper fluid - use RockShox Rear Suspension Damping Fluid 3wt.
3. Charger lower leg lubricant - use RockShox Pike Suspension Oil, 0-W30.
4. Charger damper bleed - use Bleed fitting Charger Damper and RockShox Charger Damper Standard Bleed Kit.
5. For Travel Change and Bottomless Token options, see the respective pages in this catalog, listed in the Index.
6. Pike Solo Air CSU's do not come with gradients printed on the stanchion tubes.
7. **IMPORTANT:** When servicing 26" variants of Pike and moving to the new, upgraded seal head (contained in all Full Service Kits) for the first time, you must change the damper tube to 11.4018.063.000. The new damper tube will have a turned indicator mark on the lower section of the damper tube, see the Pike Service Manual for details. If your damper tube does not have this indicator mark, you must purchase the new damper tube to use the new, upgraded seal head.

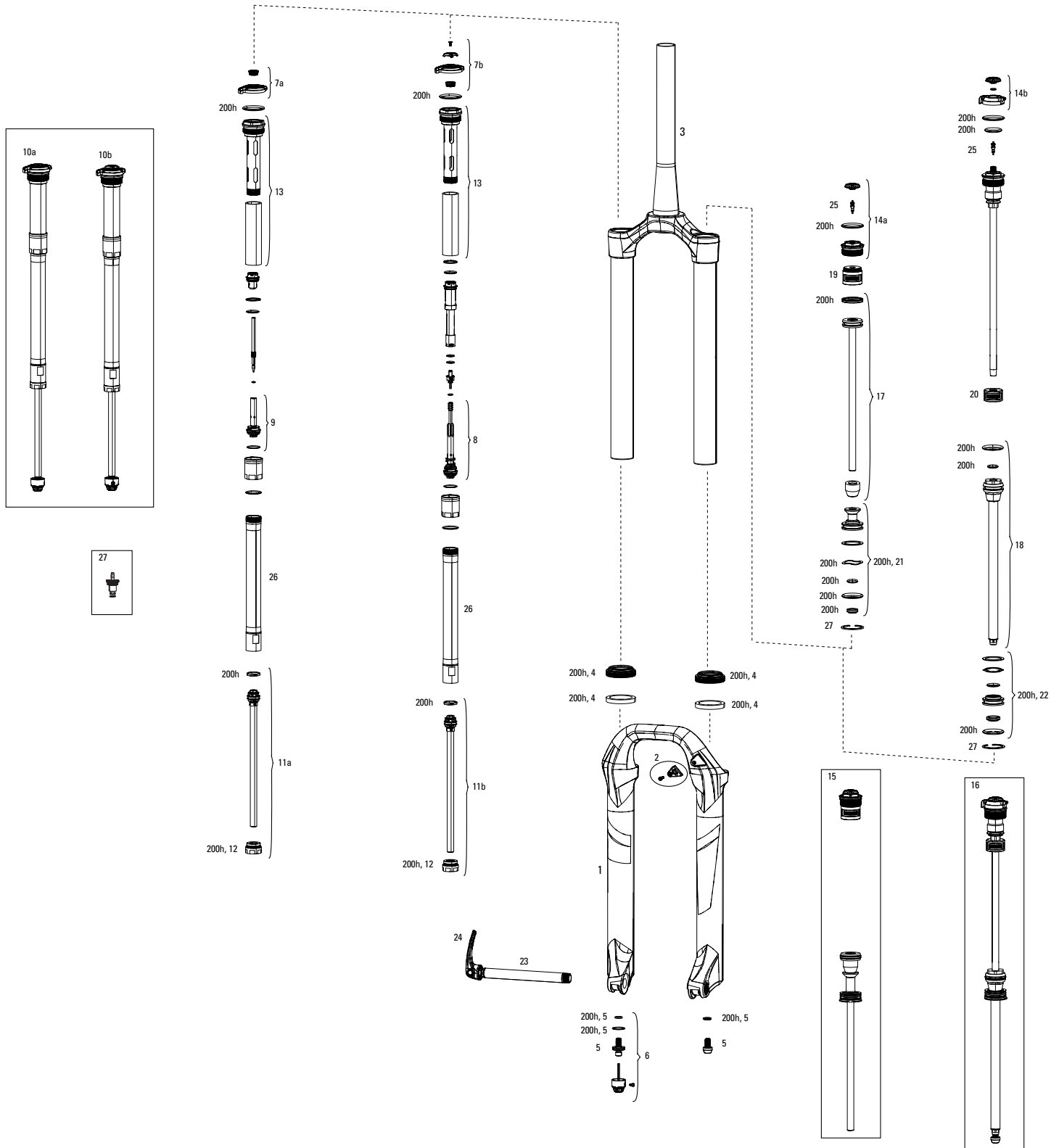
PIKE (A1-A2/2014-2017)



No.	Part Number	Description
200h	00.4315.032.618	200 hour/1 year Service Kit (includes dust seals, foam rings, o-ring seals, Charger sealhead, DPA sealhead) - Pike Dual Position Air A1
200h	00.4315.032.619	200 hour/1 year Service Kit (includes dust seals, foam rings, o-ring seals, Charger sealhead, SA sealhead) - Pike Solo Air A1
1	11.4018.006.190	Lower Leg Pike 2615 Disc Black (decals not included)
1	11.4018.006.191	Lower Leg Pike 2615 Disc White (decals not included)
1	11.4018.006.192	Lower Leg Pike 2615 Disc Diffusion Black (decals not included)
1	11.4018.006.193	Lower Leg Pike 27.5/650B, Maxle 15 Disc Black (decals not included)
1	11.4018.006.194	Lower Leg Pike 27.5/650B, Maxle 15 Disc White (decals not included)
1	11.4018.006.195	Lower Leg Pike 27.5/650B, Maxle 15 Disc Diffusion Black (decals not included)
1	11.4018.006.196	Lower Leg Pike 2915 Disc Black (decals not included)
1	11.4018.006.197	Lower Leg Pike 2915 Disc White (decals not included)
1	11.4018.006.198	Lower Leg Pike 2915 Disc Diffusion Black (decals not included)
2	11.4015.534.010	Hydraulic Hose Clamp, Lower Leg
3	11.4018.008.414	CSU Pike Solo Air 26 40 Off-Set Aluminum Taper Black (no gradients)
3	11.4018.008.415	CSU Pike Solo Air 26 40 Off-Set Aluminum Taper White (no gradients)
3	11.4018.008.416	CSU Pike Solo Air 26 40 Off-Set Aluminum Taper Diffusion Black (no gradients)
3	11.4018.008.311	CSU Pike Dual Position Air 26 40 Off-Set Aluminum Taper Black
3	11.4018.008.312	CSU Pike Dual Position Air 26 40 Off-Set Aluminum Taper White
3	11.4018.008.313	CSU Pike Dual Position Air 26 40 Off-Set Aluminum Taper Diffusion Black
3	11.4018.008.417	CSU Pike Solo Air 27.5 42 Off-Set Aluminum Taper Black (no gradients)
3	11.4018.008.418	CSU Pike Solo Air 27.5 42 Off-Set Aluminum Taper White (no gradients)
3	11.4018.008.419	CSU Pike Solo Air 27.5 42 Off-Set Aluminum Taper Diffusion Black (no gradients)
3	11.4018.008.317	CSU Pike Dual Position Air 27.5 42 Off-Set Aluminum Taper Black
3	11.4018.008.318	CSU Pike Dual Position Air 27.5 42 Off-Set Aluminum Taper White
3	11.4018.008.319	CSU Pike Dual Position Air 27.5 42 Off-Set Aluminum Taper Diffusion Black
3	11.4018.008.420	CSU Pike Solo Air 27.5/29 46 Off-Set Aluminum Taper Black (no gradients)
3	11.4018.008.421	CSU Pike Solo Air 27.5/29 46 Off-Set Aluminum Taper White (no gradients)
3	11.4018.008.422	CSU Pike Solo Air 27.5/29 46 Off-Set Aluminum Taper Diffusion Black (no gradients)
3	11.4018.008.323	CSU Pike Dual Position Air 27.5/29 46 Off-Set Aluminum TaperBlack
3	11.4018.008.324	CSU Pike Dual Position Air 27.5/29 46 Off-Set Aluminum TaperWhite
3	11.4018.008.325	CSU Pike Dual Position Air 27.5/29 46 Off-Set Aluminum TaperDiffusion Black
3	11.4018.008.423	CSU Pike Solo Air 29 51 Off-Set Aluminum Taper Black (no gradients)
3	11.4018.008.424	CSU Pike Solo Air 29 51 Off-Set Aluminum Taper White (no gradients)
3	11.4018.008.425	CSU Pike Solo Air 29 51 Off-Set Aluminum Taper Diffusion Black (no gradients)
3	11.4018.008.329	CSU Pike Dual Position Air 29 51 Off-Set Aluminum Taper Black
3	11.4018.008.330	CSU Pike Dual Position Air 29 51 Off-Set Aluminum Taper White
3	11.4018.008.331	CSU Pike Dual Position Air 29 51 Off-Set Aluminum Taper Diffusion Black
4	11.4018.028.013	Dust Seal/Foam Ring Black 35mm SKF Seal, 6mm Foam Ring - PIKE/Lyrik B1/Yari/BoXXer/Domain Dual Crown
5	11.4015.403.040	Shaft Fastener Kit PIKE (Includes shaft bolts and crush washers)
6	11.4015.404.020	Rebound Adjuster Knob/Bolt Kit - Lyrik B1/PIKE
7a	11.4015.547.080	Knob Kit, Compression Damper, RC - Lyrik B1/PIKE
7b	11.4015.547.090	Knob Kit, Compression Damper, RCT3 - Lyrik B1/PIKE
9a	11.4018.030.000	Compression Piston Assembly - Lyrik B1/PIKE RCT3
9b	11.4018.030.001	Compression Piston Assembly - Lyrik B1/PIKE RC
9c	11.4018.030.003	Compression Piston Assembly - Pike DJ
10a	11.4018.009.028	Damper Internals Right Charger PIKE RC 29 Crown Adjust
10b	11.4018.009.029	Damper Internals Right Charger PIKE RCT3 26 Crown Adjust
10b	11.4018.009.030	Damper Internals Right Charger PIKE RCT3 27.5 Crown Adjust
10b	11.4018.009.031	Damper Internals Right Charger PIKE RCT3 29 Crown Adjust
10c	11.4018.009.067	Damper Internals Right Charger PIKE RC DJ (100mm travel) Crown Adjust
10c	11.4018.009.068	Damper Internals Right Charger PIKE RC DJ (140mm travel) Crown Adjust
11a	11.4018.025.004	Rebound Damper and Seal Head Assembly/Shaft Bolt- PIKE RC 26
11a	11.4018.025.005	Rebound Damper and Seal Head Assembly/Shaft Bolt- PIKE RC 27.5
11a	11.4018.025.006	Rebound Damper and Seal Head Assembly/Shaft Bolt- PIKE RC 29
11b	11.4018.025.007	Rebound Damper and Seal Head Assembly/Shaft Bolt- PIKE RCT326
11b	11.4018.025.008	Rebound Damper and Seal Head Assembly/Shaft Bolt- PIKE RCT327.5
11b	11.4018.025.009	Rebound Damper and Seal Head Assembly/Shaft Bolt- PIKE RCT329
11c	11.4018.025.015	Rebound Damper and Seal Head Assembly/Shaft Bolt - Pike DJ (100mm travel)
11c	11.4018.025.016	Rebound Damper and Seal Head Assembly/Shaft Bolt - Pike DJ (140mm travel)
12	11.4015.353.030	Seal Head Assembly (Rebound Damper, Charger) 35mm - PIKE/Lyrik B1
13	11.4018.031.000	Charger Bladder Assembly - Pike
14	11.4018.012.004	Air Top Cap, Solo Air 35mm PIKE/BOXXER
15	11.4018.010.135	Spring Internals Left Solo Air PIKE 26-120 (includes air topcap, 3 bottomless tokens, solo air spring and shaft bolt)
15	11.4018.010.134	Spring Internals Left Solo Air PIKE 26-130 (includes air topcap, 2 bottomless tokens, solo air spring and shaft bolt)
15	11.4018.010.133	Spring Internals Left Solo Air PIKE 26-140 (includes air topcap, 1 bottomless token, solo air spring and shaft bolt)
15	11.4018.010.106	Spring Internals Left Solo Air PIKE 26-150 (includes air topcap, solo air spring and shaft bolt)
15	11.4018.010.107	Spring Internals Left Solo Air PIKE 26-160, 27.5-150 (includes air top cap, solo air spring and shaft bolt)
15	11.4018.010.137	Spring Internals Left Solo Air PIKE 27-120 (includes air topcap, 3 bottomless tokens, solo air spring and shaft bolt)
15	11.4018.010.136	Spring Internals Left Solo Air PIKE 27-130 (includes air topcap, 2 bottomless tokens, solo air spring and shaft bolt)
15	11.4018.010.138	Spring Internals Left Solo Air PIKE 27-140 (includes air topcap, 1 bottomless token, solo air spring and shaft bolt)
15	11.4018.010.108	Spring Internals Left Solo Air PIKE 27.5-160 (includes air top cap, solo air spring and shaft bolt)
15	11.4018.010.109	Spring Internals Left Solo Air PIKE 29-120 (includes air topcap, 4 bottomless tokens, solo air spring and shaft bolt)
15	11.4018.010.176	Spring Internals Left Solo Air PIKE 29-130 (includes air topcap, 3 bottomless tokens, solo air spring and shaft bolt)
15	11.4018.010.110	Spring Internals Left Solo Air PIKE 29-140 (includes air topcap, 2 bottomless tokens, solo air spring and shaft bolt)
15	11.4018.010.111	Spring Internals Left Solo Air PIKE 29-150 (includes air topcap, 1 bottomless token, solo air spring and shaft bolt)
15	11.4018.010.112	Spring Internals Left Solo Air PIKE 29-160 (includes air topcap, 1 bottomless token, solo air spring and shaft bolt)
15a	11.4018.010.146	Spring Internals Left Solo Air Pike DJ 100 (includes DJ topcap assy, solo air spring and shaft bolt)
15a	11.4018.010.147	Spring Internals Left Solo Air Pike DJ 110 (includes DJ topcap assy, solo air spring and shaft bolt)
15a	11.4018.010.148	Spring Internals Left Solo Air Pike DJ 140 (includes top capassy, bottomless tokens [qty 2], solo air spring and shaftbolt)
16	11.4018.010.113	Spring Internals Left Dual Position Air PIKE 26-150 (includes air top cap, adjuster knob, Dual Spring Assembly and shaftbolt)
16	11.4018.010.114	Spring Internals Left Dual Position Air PIKE 26-160, 27.5-150 (includes air top cap, adjuster knob, Dual Spring Assembly and shaft bolt)
16	11.4018.010.115	Spring Internals Left Dual Position Air PIKE 27.5-160 (includes air top cap, adjuster knob, Dual Spring Assembly and shaft bolt)
16	11.4018.010.116	Spring Internals Left Dual Position Air PIKE 29-150 (includes air top cap, adjuster knob, Dual Spring Assembly and shaftbolt)
16	11.4018.010.117	Spring Internals Left Dual Position Air PIKE 29-160 (includes air top cap, adjuster knob, Dual Spring Assembly and shaftbolt)



No.	Part Number	Description
17	11.4018.026.000	Air Shaft Solo Air - PIKE (160mm 26/150mm 27.5/130mm 29), Yari/Pike 29+ (140mm)
17	11.4018.026.003	Air Shaft Solo Air - PIKE (150mm 26/140mm 27.5/120mm 29), Yari/Pike 29+ (130mm)
17	11.4018.026.010	Air Shaft Solo Air - PIKE (140mm 26/130mm 27.5), Yari/Pike 29+ (120mm)
17	11.4018.026.011	Air Shaft Solo Air - PIKE (130mm 26/120mm 27.5)
17	11.4018.026.012	Air Shaft Solo Air - PIKE (120mm 26)
17	11.4018.026.018	Air Shaft Solo Air - PIKE (100mm 26)
17	11.4018.026.019	Air Shaft Solo Air - PIKE (110mm 26)
17	11.4018.026.002	Air Shaft Solo Air - PIKE (160mm 29), Lyrik/Yari (170mm 27.5only)
17	11.4018.026.004	Air Shaft Solo Air - PIKE (150mm 29), Lyrik/Yari/Pike 29+ (160mm)
17	11.4018.026.001	Air Shaft Solo Air - PIKE (160mm 27.5/140mm 29), Lyrik/Yari/Pike 29+(150mm)
18	11.4018.026.005	Air Shaft Dual Position Air - PIKE (160mm 26/150mm 27.5), Lyrik/Yari/Pike 29+ (150mm)
18	11.4018.026.008	Air Shaft Dual Position Air - PIKE (150mm 26)
18	11.4018.026.006	Air Shaft Dual Position Air - PIKE (160mm 27.5), Lyrik/Yari/Pike 29+(160mm)
18	11.4018.026.007	Air Shaft Dual Position Air - PIKE (160mm 29), Lyrik/Yari (180mm 27.5 only)
18	11.4018.026.009	Air Shaft Dual Position Air - PIKE (150mm 29), Lyrik/Yari (170mm 27.5 only)
19a	11.4018.032.000	Bottomless Tokens Qty 3 PIKE/BoXXer B1/Lyrik B1/Yari
19a	11.4018.032.001	Bottomless Tokens Qty 10 PIKE/BoXXer B1/Lyrik B1/Yari
19b	11.4018.032.004	Bottomless Tokens Dual Position Air Qty 3 PIKE/Lyrik B1/Yari
19b	11.4018.032.005	Bottomless Tokens Dual Position Air Qty 10 PIKE/Lyrik B1/Yari
24	11.4015.552.011	Adjuster Knob Aluminum, Dual Position Air - (Dual Wing Adjuster Knob) Revelation New A1-A4/PIKE/Lyrik B1/Yari
25a	11.4018.037.000	Seal head Assembly Solo Air - PIKE
25b	11.4015.505.020	Dual Position Air - Sealhead Assembly - PIKE
26	00.4318.005.001	Axle Maxle Ultimate Front MTB, 15x100, Length 148mm, ThreadLength 9mm, Thread Pitch M15x1.50 - PIKE, RS1, Lyrik B1, Yari
27	11.4318.004.000	Maxle Ultimate Lever Assembly B1
28	11.4308.327.002	Schrader Valve Core Qty 2
29	11.4018.063.000	Damper Tube Charger Damper (new version with turned indicator mark)
bulk	11.4015.259.000	Crush Washer 8mm, Qty 50
bulk	11.4015.260.000	Crush Washer Retainer, Qty 50
bulk	11.4018.028.014	Dust Seal 35mm SKF Black Qty 20 - PIKE/Lyrik B1/Yari/BoXXer/Domain Dual Crown
bulk	11.4018.028.005	Foam Ring 35mm x 6mm Qty 20 - PIKE/Lyrik B1/Yari/BoXXer/Domain Dual Crown
ns	11.4318.003.436	Decal Kit PIKE 26/27.5/29 White/Black Lower Leg
ns	11.4318.003.437	Decal Kit PIKE 26/27.5/29 Black/White Lower Leg
ns	11.4318.003.438	Decal Kit PIKE 26/27.5/29 White/Diffusion Black Lower Leg
ns	11.4318.003.393	Decal Kit Pike DJ Silver/White Lower Leg
ns	11.4318.003.394	Decal Kit Pike DJ Silver/Black Lower Leg
ns	11.4318.003.395	Decal Kit Pike DJ Silver/Diffusion Black Lower Leg
ns	11.4318.003.439	Decal Kit Pike DJ Magenta Purple/Black Lower Leg
ns	11.4318.003.440	Decal Kit Pike DJ Yellow Green/White Lower Leg
ns	11.4318.003.441	Decal Kit Pike DJ Silver Dark Silver/Diffusion Black Lower Leg
ns	11.4309.073.000	Kit Disk Brake Cable Accessory
ns	00.4315.023.010	High-Pressure Fork/Shock Pump (300 psi Max) RockShox
ns	00.4315.023.040	High-Pressure Fork/Shock Pump (300 psi Max) RockShox DigitalGauge
ns	00.4315.022.010	Schrader Valve Removal Tool Rockshox
ns	00.4318.008.000	Grease SRAM Butter 20ml Syringe, Friction Reducing Grease bySlickoleum - Recommended for X0/Rise XX/Roam 40, 30/Rail 40/Rise 60 B1/ Hub Pawls, RockShox Forks and Reverb Service
ns	00.4318.008.001	Grease SRAM Butter 1oz Container, Friction Reducing Grease by Slickoleum - Recommended for X0/Rise XX/Roam 40, 30/Rail 40/Rise 60 B1/ Hub Pawls, RockShox Forks and Reverb Service
ns	11.4315.021.080	RockShox Suspension Oil, 0W-30, 120ml Bottle - Pike/Lyrik B1/Yari Lower Legs
ns	11.4015.354.050	RockShox Suspension Oil, 0-W30, 1 Liter Bottle - Pike/LyrikB1/Yari Lower Legs
ns	11.4315.021.050	RockShox Suspension Oil, 3wt 120ml Bottle - Rear Shock Damper/Charger Damper
ns	11.4315.004.020	RockShox Suspension Oil, 3wt 16oz Bottle - Rear Shock Damper/Charger Damper
ns	11.4318.010.000	Bleed fitting Charger Damper (fits basic Rockshox Bleed Kit,3mm ID)
ns	00.4318.007.000	RockShox Charger Damper Standard Bleed Kit (includes 1 Syringe, Charger Bleed fitting, Suspension Oil 3w)



Note:

1. Full service kits include replaceable o-rings, glide rings, retaining rings, crush washers, crush washer retainers and shaft bolts/nuts. All air service kits include replacement schrader valve cores. All basic service kits include the following replaceable wear items: o-rings, glide rings, dust seals, and foam rings.
2. Charger damper fluid - use RockShox Rear Suspension Damping Fluid 3wt.
3. Charger lower leg lubricant - use RockShox Pike Suspension Oil, 0-W30.
4. Charger damper bleed - use Bleed fitting Charger Damper and RockShox Charger Damper Standard Bleed Kit.
5. For Travel Change and Bottomless Token options, see the respective pages in this catalog, listed in the Index.
6. Pike Solo Air CSU's do not come with gradients printed on the stanchion tubes.
7. Pike Boost Compatible threading for the top cap of the Charger Damper and Air Top Cap is specific to the Boost Compatible chassis.

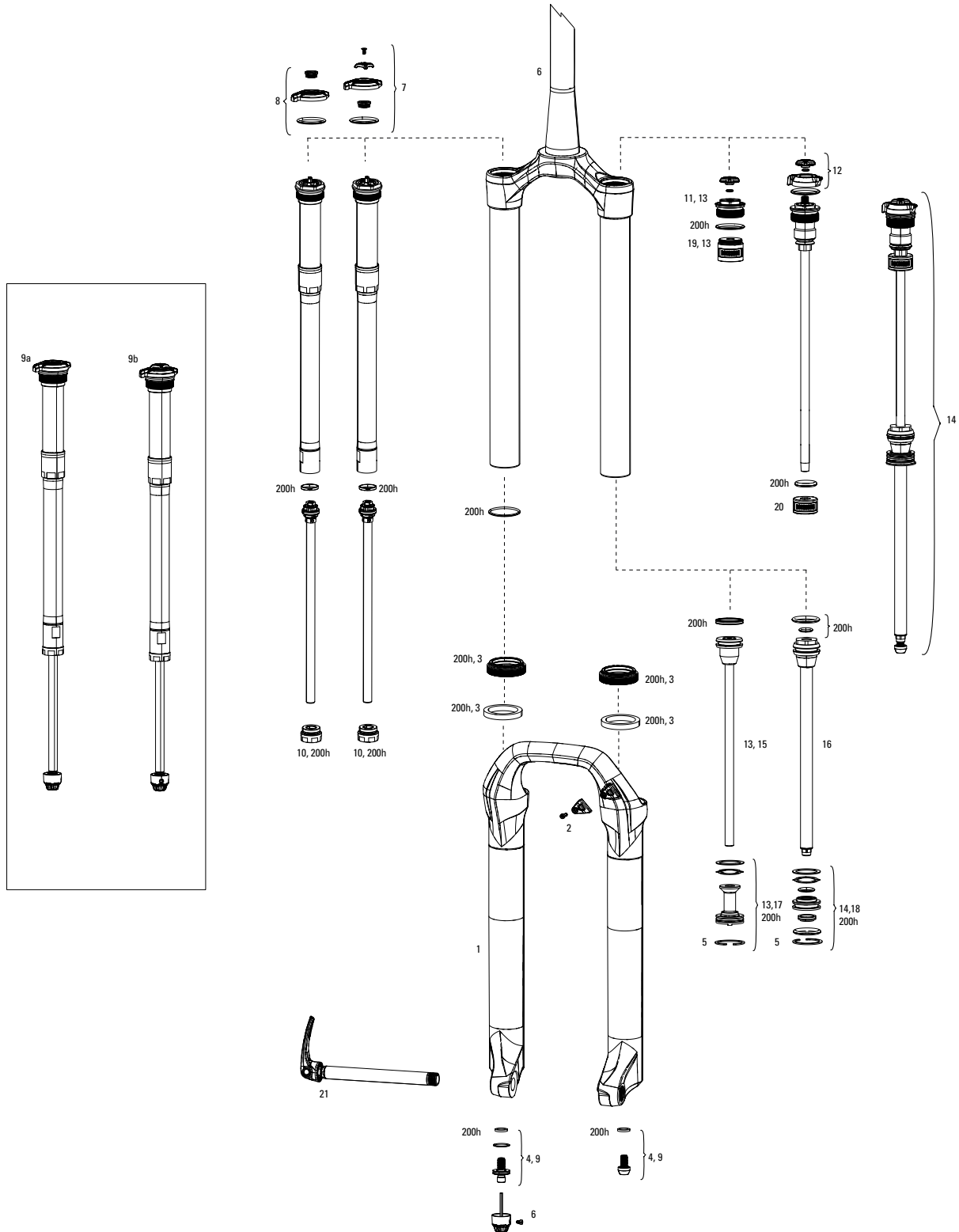
PIKE BOOST COMPATIBLE 15X110 (A2/2017)



No.	Part Number	Description
1	11.4018.006.237	Lower Leg Pike 27.5 Boost Compatible 15X110 Disc Black (decals not included)
1	11.4018.006.238	Lower Leg Pike 27.5 Boost Compatible 15X110 Disc White (decals not included)
1	11.4018.006.239	Lower Leg Pike 27.5 Boost Compatible 15X110 Disc Diffusion Black (decals not included)
1	11.4018.006.234	Lower Leg Pike 2927+ Boost Compatible 15X110 Disc Black (decals not included)
1	11.4018.006.235	Lower Leg Pike 2927+ Boost Compatible 15X110 Disc White (decals not included)
1	11.4018.006.236	Lower Leg Pike 2927+ Boost Compatible 15X110 Disc Diffusion Black (decals not included)
2	11.4015.534.010	Hydraulic Hose Clamp, Lower Leg
3	11.4018.008.432	CSU Pike Solo Air 27.5 Boost Compatible 15X110 51 Off-Set Aluminum Taper Black (no gradients)
3	11.4018.008.433	CSU Pike Solo Air 27.5 Boost Compatible 15X110 51 Off-Set Aluminum Taper White (no gradients)
3	11.4018.008.434	CSU Pike Solo Air 27.5 Boost Compatible 15X110 51 Off-Set Aluminum Taper Diffusion Black (no gradients)
3	11.4018.008.435	CSU Pike Dual Position Air 27.5 Boost Compatible 15X110 51 Off-Set Aluminum Taper Black (no gradients)
3	11.4018.008.436	CSU Pike Dual Position Air 27.5 Boost Compatible 15X110 51 Off-Set Aluminum Taper White (no gradients)
3	11.4018.008.437	CSU Pike Dual Position Air 2927+ Boost Compatible 15X110 51 Off-Set Aluminum Taper Diffusion Black (no gradients)
3	11.4018.008.426	CSU Pike Solo Air 2927+ Boost Compatible 15X110 51 Off-Set Aluminum Taper Black (no gradients)
3	11.4018.008.427	CSU Pike Solo Air 2927+ Boost Compatible 15X110 51 Off-Set Aluminum Taper White (no gradients)
3	11.4018.008.428	CSU Pike Solo Air 2927+ Boost Compatible 15X110 51 Off-Set Aluminum Taper Diffusion Black (no gradients)
3	11.4018.008.429	CSU Pike Dual Position Air 2927+ Boost Compatible 15X110 51 Off-Set Aluminum Taper Black (no gradients)
3	11.4018.008.430	CSU Pike Dual Position Air 2927+ Boost Compatible 15X110 51 Off-Set Aluminum Taper White (no gradients)
3	11.4018.008.431	CSU Pike Dual Position Air 2927+ Boost Compatible 15X110 51 Off-Set Aluminum Taper Diffusion Black (no gradients)
4	11.4018.028.013	Dust Seal/Foam Ring Black 35mm SKF Seal, 6mm Foam Ring - PIKE/Lyrik B1/Yari/BoXXer/Domain Dual Crown
5	11.4015.403.040	Shaft Fastener Kit PIKE (Includes shaft bolts and crush washers)
6	11.4015.404.020	Rebound Adjuster Knob/Bolt Kit - Lyrik B1/PIKE
7a	11.4015.547.080	Knob Kit, Compression Damper, RC - Lyrik B1/PIKE
7b	11.4015.547.090	Knob Kit, Compression Damper, RCT3 - Lyrik B1/PIKE
8	11.4018.030.000	Compression Piston Assembly - Lyrik B1/PIKE RCT3
9	11.4018.030.001	Compression Piston Assembly - Lyrik B1/PIKE RC
10a	11.4018.009.075	Damper Internals Right Charger PIKE RC 27.5 Boost Compatible 15X110 Crown Adjust
10b	11.4018.009.076	Damper Internals Right Charger PIKE RCT3 27.5 Boost Compatible 15X110 Crown Adjust
10a	11.4018.009.073	Damper Internals Right Charger PIKE RC 2927+ Boost Compatible 15X110 Crown Adjust
10b	11.4018.009.074	Damper Internals Right Charger PIKE RCT3 2927+ Boost Compatible 15X110 Crown Adjust
11a	11.4018.025.006	Rebound Damper and Seal Head Assembly/Shaft Bolt- PIKE RC 29
11b	11.4018.025.009	Rebound Damper and Seal Head Assembly/Shaft Bolt- PIKE RCT329
12	11.4015.353.030	Seal Head Assembly (Rebound Damper, Charger) 35mm - PIKE/Lyrik B1
13	11.4018.031.000	Charger Bladder Assembly - Pike
14a	11.4018.012.010	Air Top Cap, Solo Air 35mm PIKE 27.5 Boost Compatible 15X110/2927+ Boost Compatible 15X110, Lyrik B1/Yari 27/27.5 BoostCompatible 15x110/29/2927+ Boost Compatible 15x110
14	11.4015.552.011	Adjuster Knob Aluminum, Dual Position Air - (Dual Wing Adjuster Knob) Revelation New A1-A4/PIKE/Lyrik B1/Yari
15	11.4018.010.184	Spring Internals Left Solo Air - 120 (includes air top cap,3 bottomless tokens, solo air spring and shaft bolt) PIKE 27.5 Boost Compatible 15X110
15	11.4018.010.185	Spring Internals Left Solo Air - 130 (includes air top cap,2 bottomless tokens, solo air spring and shaft bolt) PIKE 27.5 Boost Compatible 15X110
15	11.4018.010.186	Spring Internals Left Solo Air - 140 (includes air top cap,1 bottomless token, solo air spring and shaft bolt) PIKE 27.5 Boost Compatible 15X110
15	11.4018.010.187	Spring Internals Left Solo Air - 150 (includes air top cap,solo air spring and shaft bolt) PIKE 27.5 Boost Compatible 15X110
15	11.4018.010.188	Spring Internals Left Solo Air - 160 (includes air top cap,solo air spring and shaft bolt) PIKE 27.5 Boost Compatible 15X110
15	11.4018.010.177	Spring Internals Left Solo Air - 120 (includes air top cap,4 bottomless tokens, solo air spring and shaft bolt) PIKE 2927+ Boost Compatible 15X110
15	11.4018.010.178	Spring Internals Left Solo Air - 130 (includes air top cap,3 bottomless tokens, solo air spring and shaft bolt) PIKE 2927+ Boost Compatible 15X110
15	11.4018.010.179	Spring Internals Left Solo Air - 140 (includes air top cap,2 bottomless tokens, solo air spring and shaft bolt) PIKE 2927+ Boost Compatible 15X110
15	11.4018.010.180	Spring Internals Left Solo Air - 150 (includes air top cap,1 bottomless token, solo air spring and shaft bolt) PIKE 2927+ Boost Compatible 15X110
15	11.4018.010.181	Spring Internals Left Solo Air - 160 (includes air top cap,1 bottomless token, solo air spring and shaft bolt) PIKE 2927+ Boost Compatible 15X110
16	11.4018.010.189	Spring Internals Left Dual Position Air - 150 (includes airtop cap, adjuster knob, Dual Spring Assembly and shaft bolt)PIKE 27.5 Boost Compatible 15X110
16	11.4018.010.190	Spring Internals Left Dual Position Air - 160 (includes airtop cap, adjuster knob, Dual Spring Assembly and shaft bolt)PIKE 27.5 Boost Compatible 15X110
16	11.4018.010.182	Spring Internals Left Dual Position Air - 150 (includes airtop cap, adjuster knob, 1 bottomless token, Dual Position air spring and shaft bolt) PIKE 2927+ Boost Compatible 15X110
16	11.4018.010.183	Spring Internals Left Dual Position Air - 160 (includes airtop cap, adjuster knob, Dual Position air spring and shaft bolt) PIKE 2927+ Boost Compatible 15X110
17	11.4018.026.011	Air Shaft Solo Air - PIKE (130mm 26/120mm 27.5)
17	11.4018.026.010	Air Shaft Solo Air - PIKE (140mm 26/130mm 27.5), Yari/Pike 29+ (120mm)
17	11.4018.026.003	Air Shaft Solo Air - PIKE (150mm 26/140mm 27.5/120mm 29), Yari/Pike 29+ (130mm)
17	11.4018.026.000	Air Shaft Solo Air - PIKE (160mm 26/150mm 27.5/130mm 29), Yari/Pike 29+ (140mm)
17	11.4018.026.001	Air Shaft Solo Air - PIKE (160mm 27.5/140mm 29), Lyrik/Yari/Pike 29+(150mm)
17	11.4018.026.004	Air Shaft Solo Air - PIKE (150mm 29), Lyrik/Yari/Pike 29+ (160mm)
17	11.4018.026.002	Air Shaft Solo Air - PIKE (160mm 29), Lyrik/Yari (170mm 27.5only)
18	11.4018.026.005	Air Shaft Dual Position Air - PIKE (160mm 26/150mm 27.5), Lyrik/Yari (150mm)
18	11.4018.026.006	Air Shaft Dual Position Air - PIKE (160mm 27.5), Lyrik/Yari(160mm)
18	11.4018.026.009	Air Shaft Dual Position Air - PIKE (150mm 29), Lyrik/Yari (170mm 27.5 only)
18	11.4018.026.007	Air Shaft Dual Position Air - PIKE (160mm 29), Lyrik/Yari (180mm 27.5 only)
19	11.4018.032.000	Bottomless Tokens Qty 3 PIKE/BoXXer B1/Lyrik B1/Yari
19	11.4018.032.001	Bottomless Tokens Qty 10 PIKE/BoXXer B1/Lyrik B1/Yari
20	11.4018.032.004	Bottomless Tokens Dual Position Air Qty 3 PIKE/Lyrik B1/Yari
20	11.4018.032.005	Bottomless Tokens Dual Position Air Qty 10 PIKE/Lyrik B1/Yari
21	11.4018.037.000	Seal head Assembly Solo Air - PIKE
22	11.4015.505.020	Dual Position Air - Sealhead Assembly - PIKE
23	00.4318.005.001	Axle Maxle Ultimate Front MTB, 15x100, Length 148mm, ThreadLength 9mm, Thread Pitch M15x1.50 - PIKE, RS1, Lyrik B1, Yari
23	00.4318.005.007	Axle Maxle Ultimate Front MTB, 15x110, Length 158mm, ThreadLength 9mm, Thread Pitch M15x1.50 - PIKE, Lyrik B1, Yari Boost Compatible
24	11.4318.004.000	Maxle Ultimate Lever Assembly B1
25	11.4308.327.002	Schrader Valve Core Qty 2
26	11.4018.063.000	Damper Tube Charger Damper (new version with turned indicator mark)
27	11.4015.558.020	Retaining Ring, Upper Tube, 35mm - Qty 2
bulk	11.4015.259.000	Crush Washer 8mm, Qty 50
bulk	11.4015.260.000	Crush Washer Retainer, Qty 50
bulk	11.4018.028.014	Dust Seal 35mm SKF Black Qty 20 - PIKE/Lyrik B1/Yari/BoXXer/Domain Dual Crown
bulk	11.4018.028.005	Foam Ring 35mm x 6mm Qty 20 - PIKE/Lyrik B1/Yari/BoXXer/Domain Dual Crown
ns	11.4318.003.456	Decal Kit PIKE 27.5 Boost Compatible 15X110/2927+ Boost Compatible 15X110 White/Black Lower Leg
ns	11.4318.003.457	Decal Kit PIKE 27.5 Boost Compatible 15X110/2927+ Boost Compatible 15X110 Black/White Lower Leg
ns	11.4318.003.458	Decal Kit PIKE 27.5 Boost Compatible 15X110/2927+ Boost Compatible 15X110 White/Diffusion Black Lower Leg
ns	11.4309.073.000	Kit Disk Brake Cable Accessory
ns	00.4315.023.010	High-Pressure Fork/Shock Pump (300 psi Max) RockShox
ns	00.4315.023.040	High-Pressure Fork/Shock Pump (300 psi Max) RockShox DigitalGauge
ns	00.4315.022.010	Schrader Valve Removal Tool Rockshox



No.	Part Number	Description
ns	00.4318.008.000	Grease SRAM Butter 20ml Syringe, Friction Reducing Grease by Slickoleum - Recommended for X0/Rise XX/Roam 40, 30/Rail 40/Rise 60 B1/ Hub Pawls, RockShox Forks and Reverb Service
ns	00.4318.008.001	Grease SRAM Butter 1oz Container, Friction Reducing Grease by Slickoleum - Recommended for X0/Rise XX/Roam 40, 30/Rail 40/Rise 60 B1/ Hub Pawls, RockShox Forks and Reverb Service
ns	11.4315.021.080	RockShox Suspension Oil, 0W-30, 120ml Bottle - Pike/Lyrik B1/Yari Lower Legs
ns	11.4015.354.050	RockShox Suspension Oil, 0-W30, 1 Liter Bottle - Pike/Lyrik B1/Yari Lower Legs
ns	11.4315.021.050	RockShox Suspension Oil, 3wt 120ml Bottle - Rear Shock Damper/Charger Damper
ns	11.4315.004.020	RockShox Suspension Oil, 3wt 16oz Bottle - Rear Shock Damper/Charger Damper
27	11.4318.010.000	Bleed fitting Charger Damper (fits basic Rockshox Bleed Kit, 3mm ID)
ns	00.4318.007.000	RockShox Charger Damper Standard Bleed Kit (includes 1 Syringe, Charger Bleed fitting, Suspension Oil 3w)



Note:

1. Full service kits include replaceable o-rings, glide rings, retaining rings, crush washers, crush washer retainers and shaft bolts/nuts. All air service kits include replacement schrader valve cores. All basic service kits include the following replaceable wear items: o-rings, glide rings, dust seals, and foam rings.
2. Charger damper fluid - use RockShox Rear Suspension Damping Fluid 3wt.
3. Charger lower leg lubricant - use RockShox Pike Suspension Oil, 0-W30.
4. Charger damper bleed - use Bleed fitting Charger Damper and RockShox Charger Damper Standard Bleed Kit.
5. For Travel Change and Bottomless Token options, see the respective pages in this catalog, listed in the Index.
6. Pike Solo Air CSU's do not come with gradients printed on the stanchion tubes.
7. Pike Boost Compatible threading for the top cap of the Charger Damper and Air Top Cap is specific to the Boost Compatible chassis.



SPARES

No.	Part Number	Description
200h	00.4315.032.620	200 hour/1 year Service Kit (includes dust seals, foam rings, o-ring seals, Charger sealhead, DPA sealhead) - Lyrik/Pike 29+ Dual Position Air A1
200h	00.4315.032.621	200 hour/1 year Service Kit (includes dust seals, foam rings, o-ring seals, Charger sealhead, SA sealhead) - Lyrik/Pike 29+ Solo Air A1

LOWER LEG

No.	Part Number	Description
1	11.4018.006.268	Lower Leg Pike/Yari 29 Plus 15x110 Disc Black (decals not included) - PIKE 29+/YARI 29+
1	11.4018.006.269	Lower Leg Pike/Yari 29 Plus 15x110 Disc White (decals not included) - PIKE 29+/YARI 29+
1	11.4018.006.270	Lower Leg Pike/Yari 29 Plus 15x110 Disc Diffusion Black (decals no included) - PIKE 29+/YARI 29+
2	11.4015.534.010	Hydraulic Hose Clamp, Lower Leg
3	11.4018.028.013	Dust Seal/Foam Ring Black 35mm SKF Seal, 6mm Foam Ring - PIKE/Lyrik B1/Yari/BoXXer/Domain Dual Crown
4	11.4015.403.090	Shaft Fastener Kit Lyrik (Includes shaft bolts and crush washers) B1
5	11.4015.558.020	Retaining Ring, Upper Tube, 35mm - Qty 2

CROWN STEER UPPER TUBES (CSU)

No.	Part Number	Description
6	11.4018.008.456	CSU Lyrik B1/Yari Solo Air 2927+ Boost Compatible 15X110 51Off-Set Aluminum Taper Black (no gradients) - Lyrik B1/Yari/Pike 29+
6	11.4018.008.457	CSU Lyrik B1/Yari Solo Air 2927+ Boost Compatible 15X110 51Off-Set Aluminum Taper White (no gradients) - Lyrik B1/Yari/Pike 29+
6	11.4018.008.458	CSU Lyrik B1/Yari Solo Air 2927+ Boost Compatible 15X110 51Off-Set Aluminum Taper Diffusion Black (no gradients) - Lyrik B1/Yari/Pike 29+
6	11.4018.008.459	CSU Lyrik B1/Yari Dual Position Air 2927+ Boost Compatible 15X110 51 Off-Set Aluminum Taper Black (no gradients) - Lyrik B1/Yari/Pike 29+
6	11.4018.008.460	CSU Lyrik B1/Yari Dual Position Air 2927+ Boost Compatible 15X110 51 Off-Set Aluminum Taper White (no gradients) - Lyrik B1/Yari/Pike 29+
6	11.4018.008.461	CSU Lyrik B1/Yari Dual Position Air 2927+ Boost Compatible 15X110 51 Off-Set Aluminum Taper Diffusion Black (no gradients) - Lyrik B1/Yari/Pike 29+

RIGHT SIDE INTERNALS

No.	Part Number	Description
6	11.4015.404.020	Rebound Adjuster Knob/Bolt Kit - Lyrik B1/PIKE
7	11.4015.547.090	Knob Kit, Compression Damper, RCT3 - Lyrik B1/PIKE
8	11.4015.547.080	Knob Kit, Compression Damper, RC - Lyrik B1/PIKE
9a	11.4018.009.077	Damper Internals Right Charger Pike 29+/Lyrik RC 27.5/29/27.5 BoostCompatible 15X110/2927+ Boost Compatible 15x110 Crown AdjustB1
9b	11.4018.009.078	Damper Internals Right Charger Pike 29+/Lyrik RCT3 27.5/29/27.5 Boost Compatible 15X110/2927+ Boost Compatible 15x110 Adjust B1
10	11.4018.031.020	Charger Bladder Assembly - Lyrik B1/Pike 29+

LEFT SIDE INTERNALS

No.	Part Number	Description
11	11.4018.012.010	Air Top Cap, Solo Air 35mm PIKE 27.5 Boost Compatible 15X110/2927+ Boost Compatible 15X110, Lyrik B1/Yari 27/27.5 BoostCompatible 15x110/29/2927+ Boost Compatible 15x110
12	11.4015.552.011	Adjuster Knob Aluminum, Dual Position Air - (Dual Wing Adjuster Knob) Revelation New A1-A4/PIKE/Lyrik B1/Yari
13	11.4018.010.195	Spring Internals Left Solo Air - 160 (includes air top cap, solo air spring and shaft bolt) Lyrik B1/Yari A1/Pike 29+
13	11.4018.010.194	Spring Internals Left Solo Air - 150 (includes air top cap, solo air spring and shaft bolt) Lyrik B1/Yari A1/Pike 29+
13	11.4018.010.193	Spring Internals Left Solo Air - 140 (includes air top cap, solo air spring and shaft bolt) Lyrik B1/Yari A1/Pike 29+
13	11.4018.010.192	Spring Internals Left Solo Air - 130 (includes air top cap, solo air spring and shaft bolt) Lyrik B1/Yari A1/Pike 29+
13	11.4018.010.191	Spring Internals Left Solo Air - 120 (includes air top cap, solo air spring and shaft bolt) Lyrik B1/Yari A1/Pike 29+
14	11.4018.010.199	Spring Internals Left Dual Position Air - 160 (includes air top cap, DP air spring, shaft bolt) Lyrik B1/Yari A1/Pike 29+
14	11.4018.010.198	Spring Internals Left Dual Position Air - 150 (includes air top cap, DP air spring, shaft bolt) Lyrik B1/Yari A1/Pike 29+
15	11.4018.026.010	Air Shaft Solo Air - PIKE (140mm 26/130mm 27.5), Yari/Pike 29+ (120mm)
15	11.4018.026.003	Air Shaft Solo Air - PIKE (150mm 26/140mm 27.5/120mm 29), Yari/Pike 29+ (130mm)
15	11.4018.026.000	Air Shaft Solo Air - PIKE (160mm 26/150mm 27.5/130mm 29), Yari/Pike 29+ (140mm)
15	11.4018.026.001	Air Shaft Solo Air - PIKE (160mm 27.5/140mm 29), Lyrik/Yari/Pike 29+(150mm)
15	11.4018.026.004	Air Shaft Solo Air - PIKE (150mm 29), Lyrik/Yari/Pike 29+ (160mm)
16	11.4018.026.005	Air Shaft Dual Position Air - PIKE (160mm 26/150mm 27.5), Lyrik/Yari/Pike 29+ (150mm)
17	11.4018.037.001	Seal head Assembly Solo Air - Lyrik B1/Yari/Pike 29+
18	11.4015.505.030	Dual Position Air - Sealhead Assembly - Lyrik B1/Yari/Pike 29+
19	11.4018.032.000	Bottomless Tokens Qty 3 PIKE/BoXXer B1/Lyrik B1/Yari
19	11.4018.032.001	Bottomless Tokens Qty 10 PIKE/BoXXer B1/Lyrik B1/Yari
20	11.4018.032.004	Bottomless Tokens Dual Position Air Qty 3 PIKE/Lyrik B1/Yari
20	11.4018.032.005	Bottomless Tokens Dual Position Air Qty 10 PIKE/Lyrik B1/Yari
ns	11.4308.327.002	Schrader Valve Core Qty 2



MAXLE

No.	Part Number	Description
21	00.4318.005.007	Axle Maxle Ultimate Front MTB, 15x110, Length 158mm, ThreadLength 9mm, Thread Pitch M15x1.50 - PIKE, Lyrik B1, Yari Boost Compatible
ns	11.4318.004.000	Maxle Ultimate Lever Assembly B1

BULK SPARES

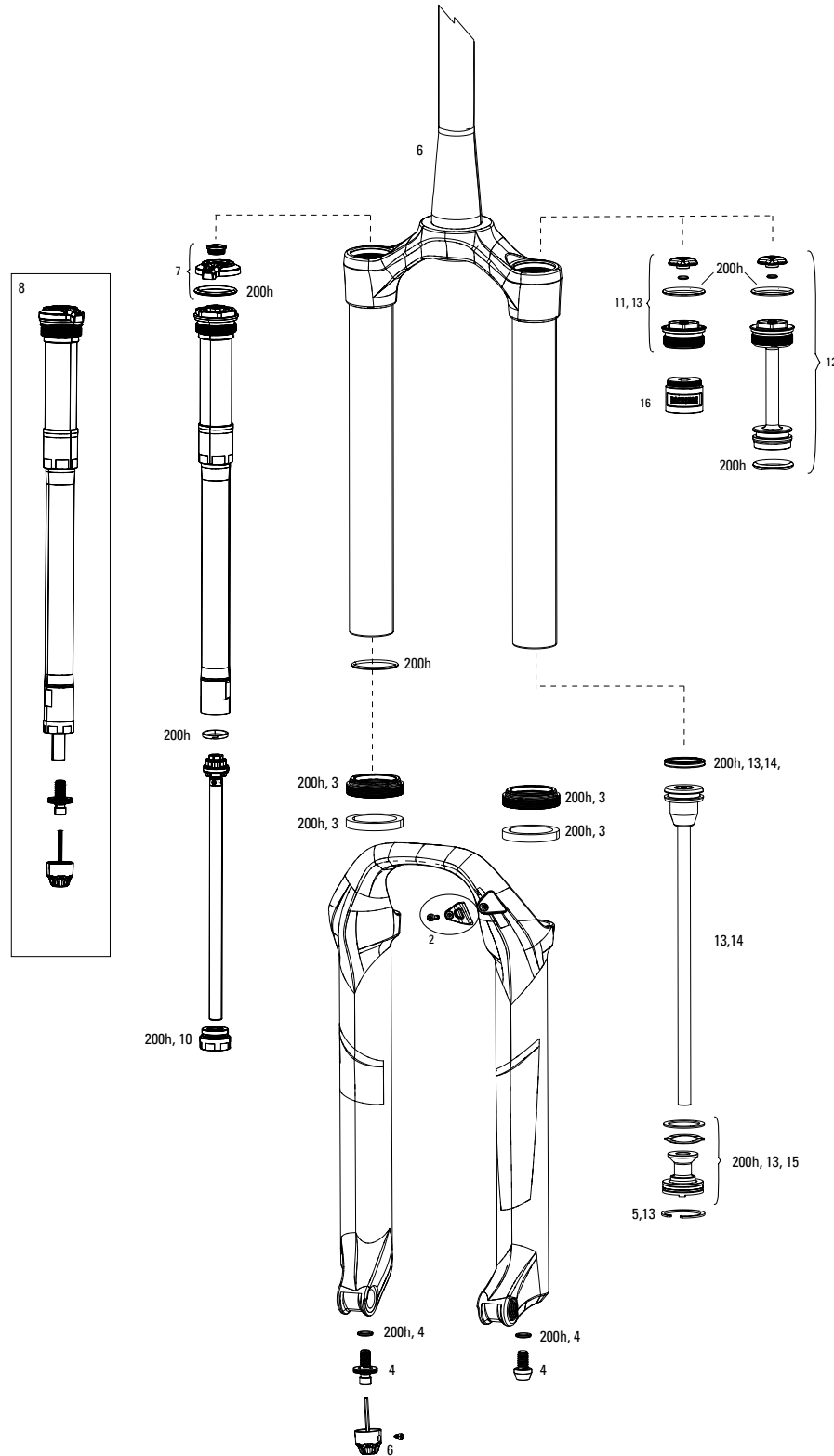
No.	Part Number	Description
bulk	11.4015.259.000	Crush Washer 8mm, Qty 50
bulk	11.4018.028.014	Dust Seal 35mm SKF Black Qty 20 - PIKE/Lyrik B1/Yari/BoXXer/Domain Dual Crown
bulk	11.4018.028.005	Foam Ring 35mm x 6mm Qty 20 - PIKE/Lyrik B1/Yari/BoXXer/Domain Dual Crown

AIR PUMP/FLUID/GREASE/TOOLS

No.	Part Number	Description
ns	00.4315.023.010	High-Pressure Fork/Shock Pump (300 psi Max) RockShox
ns	00.4315.023.040	High-Pressure Fork/Shock Pump (300 psi Max) RockShox DigitalGauge
ns	00.4315.022.010	Schrader Valve Removal Tool Rockshox
ns	00.4318.008.000	Grease SRAM Butter 20ml Syringe, Friction Reducing Grease bySlickoleum - Recommended for X0/Rise XX/Roam 40, 30/Rail 40/Rise 60 B1/ Hub Pawls, RockShox Forks and Reverb Service
ns	00.4318.008.001	Grease SRAM Butter 1oz Container, Friction Reducing Grease by Slickoleum - Recommended for X0/Rise XX/Roam 40, 30/Rail 40/Rise 60 B1/ Hub Pawls, RockShox Forks and Reverb Service
ns	11.4315.021.080	RockShox Suspension Oil, 0W-30, 120ml Bottle - Pike/Lyrik B1/Yari Lower Legs
ns	11.4015.354.050	RockShox Suspension Oil, 0W-30, 120ml Bottle - Pike/Lyrik B1/Yari Lower Legs
ns	11.4315.021.050	RockShox Suspension Oil, 0W-30, 120ml Bottle - Pike/Lyrik B1/Yari Lower Legs
ns	11.4315.004.020	RockShox Suspension Oil, 0-W30, 1 Liter Bottle - Pike/LyrikB1/Yari Lower Legs
ns	11.4318.010.000	Bleed fitting Charger Damper (fits basic Rockshox Bleed Kit,3mm ID)
ns	00.4318.007.000	RockShox Charger Damper Standard Bleed Kit (includes 1 Syringe, Charger Bleed fitting, Suspension Oil 3w)

DECALS

No.	Part Number	Description
ns	11.4318.003.459	Decal Kit Lyrik 27/27 Boost Compatible 15x110/29/2927+ BoostCompatible 15x110 White/Black Lower Leg B1
ns	11.4318.003.460	Decal Kit Lyrik 27/27 Boost Compatible 15x110/29/2927+ BoostCompatible 15x110 Black/White Lower Leg B1
ns	11.4318.003.461	Decal Kit Lyrik 27/27 Boost Compatible 15x110/29/2927+ BoostCompatible 15x110 White/Diffusion Black Lower Leg B1



Note:

1. Full service kits include replaceable o-rings, glide rings, retaining rings, crush washers, crush washer retainers and shaft bolts/nuts. All air service kits include replacement schrader valve cores. All basic service kits include the following replaceable wear items: o-rings, glide rings, dust seals, and foam rings.
2. Charger damper fluid - use RockShox Rear Suspension Damping Fluid 3wt.
3. Charger lower leg lubricant - use RockShox Pike Suspension Oil, 0-W30.
4. Charger damper bleed - use Bleed fitting Charger Damper and RockShox Charger Damper Standard Bleed Kit.
5. For Travel Change and Bottomless Token options, see the respective pages in this catalog, listed in the Index.
6. Pike DJ CSU's do not come with gradients printed on the stanchion tubes.
7. Pike DJ forks with .5mm top cap threads will be indicated with a machined circle around the tool interface.



SERVICE INTERVAL KIT

No.	Part Number	Description
200h	11.4018.027.003	Service Kit Full - PIKE Solo Air Upgraded (includes upgradedsealhead, solo air and damper seals and hardware)

LOWER LEG

No.	Part Number	Description
1	11.4018.006.190	Lower Leg Pike 2615 Disc Black (decals not included)
1	11.4018.006.191	Lower Leg Pike 2615 Disc White (decals not included)
1	11.4018.006.192	Lower Leg Pike 2615 Disc Diffusion Black (decals not included)
2	11.4015.534.010	Hydraulic Hose Clamp, Lower Leg
3	11.4018.028.013	Dust Seal/Foam Ring Black 35mm SKF Seal, 6mm Foam Ring - PIKE/Lyrik B1/Yari/BoXXer/Domain Dual Crown
4	11.4015.403.090	Shaft Fastener Kit Lyrik (Includes shaft bolts and crush washers) B1
5	11.4015.558.020	Retaining Ring, Upper Tube, 35mm - Qty 2

CROWN STEER UPPER TUBE (CSU)

No.	Part Number	Description
6	11.4018.008.494	CSU Pike DJ Solo Air 26 40 Off-Set Aluminum Taper Black (no graidents)(.5 Thread Pitch) - Pike DJ (2017+)
6	11.4018.008.495	CSU Pike DJ Solo Air 26 40 Off-Set Aluminum Taper Diffusion Black (no graidents)(.5 Thread Pitch) - Pike DJ (2017+)
6	11.4018.008.496	CSU Pike DJ Solo Air 26 40 Off-Set Aluminum Taper White (no graidents)(.5 Thread Pitch) - Pike DJ (2017+)

RIGHT SIDE INTERNALS

No.	Part Number	Description
7	11.4015.404.020	Rebound Adjuster Knob/Bolt Kit - Lyrik B1/PIKE
8	11.4015.547.080	Knob Kit, Compression Damper, RC - Lyrik B1/PIKE
9	11.4018.009.080	Damper Internals Right Charger PIKE DJ RC 26 Thread Pitch 0.5mm 100mm Max Travel (includes compression knob, rebound knob, fastner bolt, o-ring) - PIKE DJ
9	11.4018.009.081	Damper Internals Right Charger PIKE DJ RC 26 Thread Pitch 0.5mm 140mm Max Travel (includes compression knob, rebound knob, fastner bolt, o-ring) - PIKE DJ
10	11.4015.353.030	Seal Head Assembly (Rebound Damper, Charger) 35mm - PIKE/Lyrik B1

LEFT SIDE INTERNALS

No.	Part Number	Description
11	11.4018.012.010	Air Top Cap, Solo Air 35mm PIKE 27.5 Boost Compatible 15X110/2927+ Boost Compatible 15X110, Lyrik B1/Yari 27/27.5 BoostCompatible 15x110/29/2927+ Boost Compatible 15x110
12	11.4018.012.013	Air Top Cap, Solo Air 35mm .5mm thread pitch (Includes top cap and valve cover, Bottomless Token Compatible) - Pike DJ (2017)
13	11.4018.010.202	Spring Internals Left Solo Air Thread Pitch 0.5mm - 100 (Includes air top cap, air spring and shaft bolts) - PIKE DJ B1
13	11.4018.010.203	Spring Internals Left Solo Air Thread Pitch 0.5mm - 110 (Includes air top cap, air spring and shaft bolts) - PIKE DJ B1
13	11.4018.010.204	Spring Internals Left Solo Air Thread Pitch 0.5mm - 140 (Includes air top cap, air spring and shaft bolts) - PIKE DJ B1
14	11.4018.026.010	Air Shaft Solo Air - PIKE (140mm 26/130mm 27.5), Yari/Pike 29+ (120mm)
14	11.4018.026.018	Air Shaft Solo Air - PIKE (100mm 26)
14	11.4018.026.019	Air Shaft Solo Air - PIKE (110mm 26)
15	11.4018.037.001	Seal head Assembly Solo Air - Lyrik B1/Yari
16	11.4018.032.000	Bottomless Tokens Qty 3 PIKE/BoXXer B1/Lyrik B1/Yari
16	11.4018.032.001	Bottomless Tokens Qty 10 PIKE/BoXXer B1/Lyrik B1/Yari
ns	11.4308.327.002	Schrader Valve Core Qty 2

MAXLE

No.	Part Number	Description
ns	00.4318.005.001	Axle Maxle Ultimate Front MTB, 15x100, Length 148mm, ThreadLength 9mm, Thread Pitch M15x1.50 - PIKE, RS1, Lyrik B1, Yari
ns	00.4318.005.018	Axle Maxle Stealth Front MTB, 15x100, Length 148mm, Thread Length 9mm, Thread Pitch M15x1.50 (not compatible with RS-1) Standard For more, see maxle page

BULK

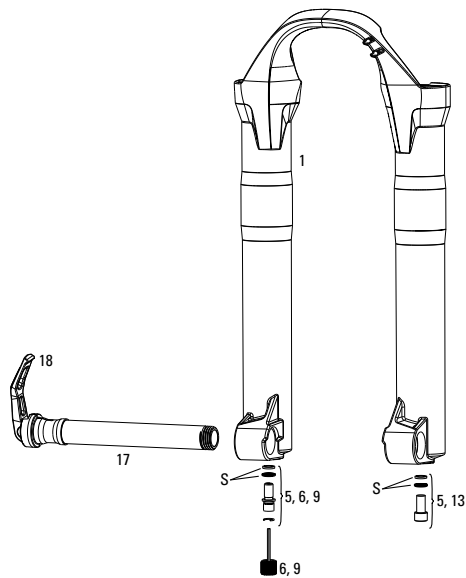
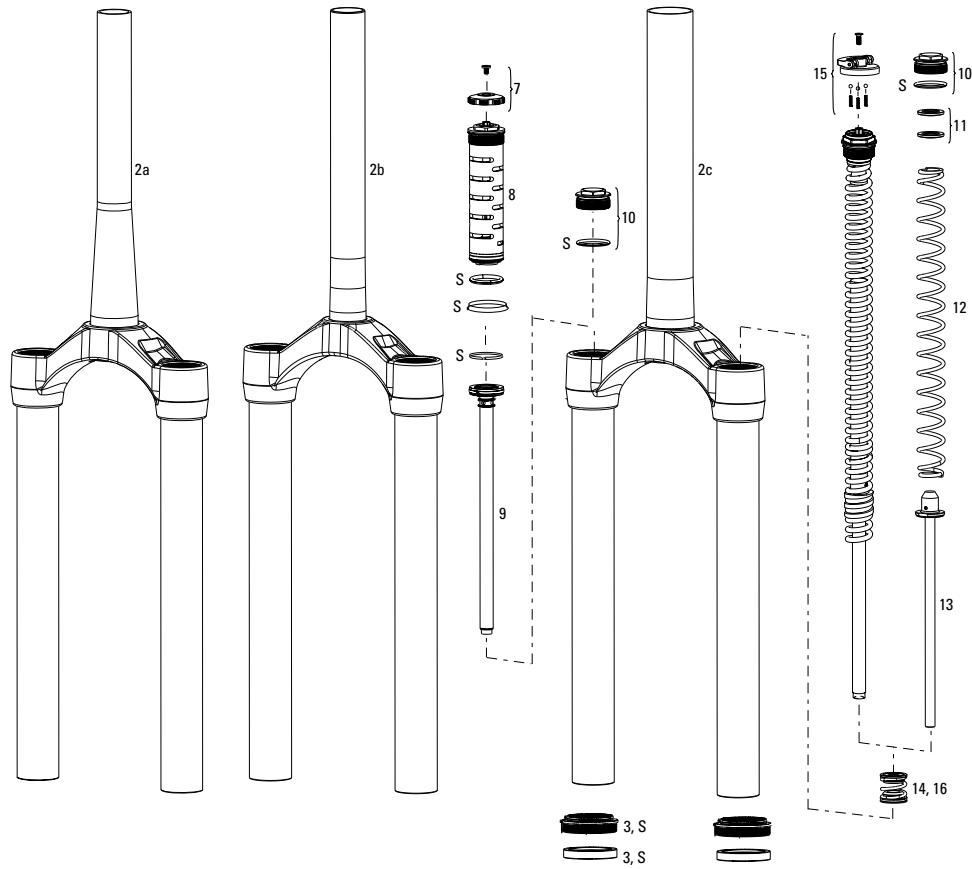
No.	Part Number	Description
ns	11.4015.259.000	Crush Washer 8mm, Qty 50
ns	11.4018.028.014	Dust Seal 35mm SKF Black Qty 20 - PIKE/Lyrik B1/Yari/BoXXer/Domain Dual Crown
ns	11.4018.028.005	Foam Ring 35mm x 6mm Qty 20 - PIKE/Lyrik B1/Yari/BoXXer/Domain Dual Crown

AIR PUMP/FLUID/GREASE/TOOLS

No.	Part Number	Description
ns	00.4315.023.010	High-Pressure Fork/Shock Pump (300 psi Max) RockShox
ns	00.4315.023.040	High-Pressure Fork/Shock Pump (300 psi Max) RockShox DigitalGauge
ns	00.4315.022.010	Schrader Valve Removal Tool Rockshox
ns	00.4318.008.000	Grease SRAM Butter 20ml Syringe, Friction Reducing Grease bySlickoleum - Recommended for X0/Rise XX/Roam 40, 30/Rail 40/Rise 60 B1/ Hub Pawls, RockShox Forks and Reverb Service
ns	00.4318.008.001	Grease SRAM Butter 1oz Container, Friction Reducing Grease by Slickoleum - Recommended for X0/Rise XX/Roam 40, 30/Rail 40/Rise 60 B1/ Hub Pawls, RockShox Forks and Reverb Service
ns	11.4315.021.080	RockShox Suspension Oil, 0W-30, 120ml Bottle - Pike/Lyrik B1/Yari Lower Legs
ns	11.4015.354.050	RockShox Suspension Oil, 0-W30, 1 Liter Bottle - Pike/LyrikB1/Yari Lower Legs
ns	11.4315.021.050	RockShox Suspension Oil, 3wt 120ml Bottle - Rear Shock Damper/Charger Damper
ns	11.4315.004.020	RockShox Suspension Oil, 3wt 16oz Bottle - Rear Shock Damper/Charger Damper
ns	11.4318.010.000	Bleed fitting Charger Damper (fits basic Rockshox Bleed Kit,3mm ID)
ns	00.4318.007.000	RockShox Charger Damper Standard Bleed Kit (includes 1 Syringe, Charger Bleed fitting, Suspension Oil 3w)

DECALS

No.	Part Number	Description
ns	11.4318.003.439	Decal Kit Pike DJ Magenta Purple/Black Lower Leg
ns	11.4318.003.440	Decal Kit Pike DJ Yellow Green/White Lower Leg
ns	11.4318.003.441	Decal Kit Pike DJ Silver Dark Silver/Diffusion Black Lower Leg

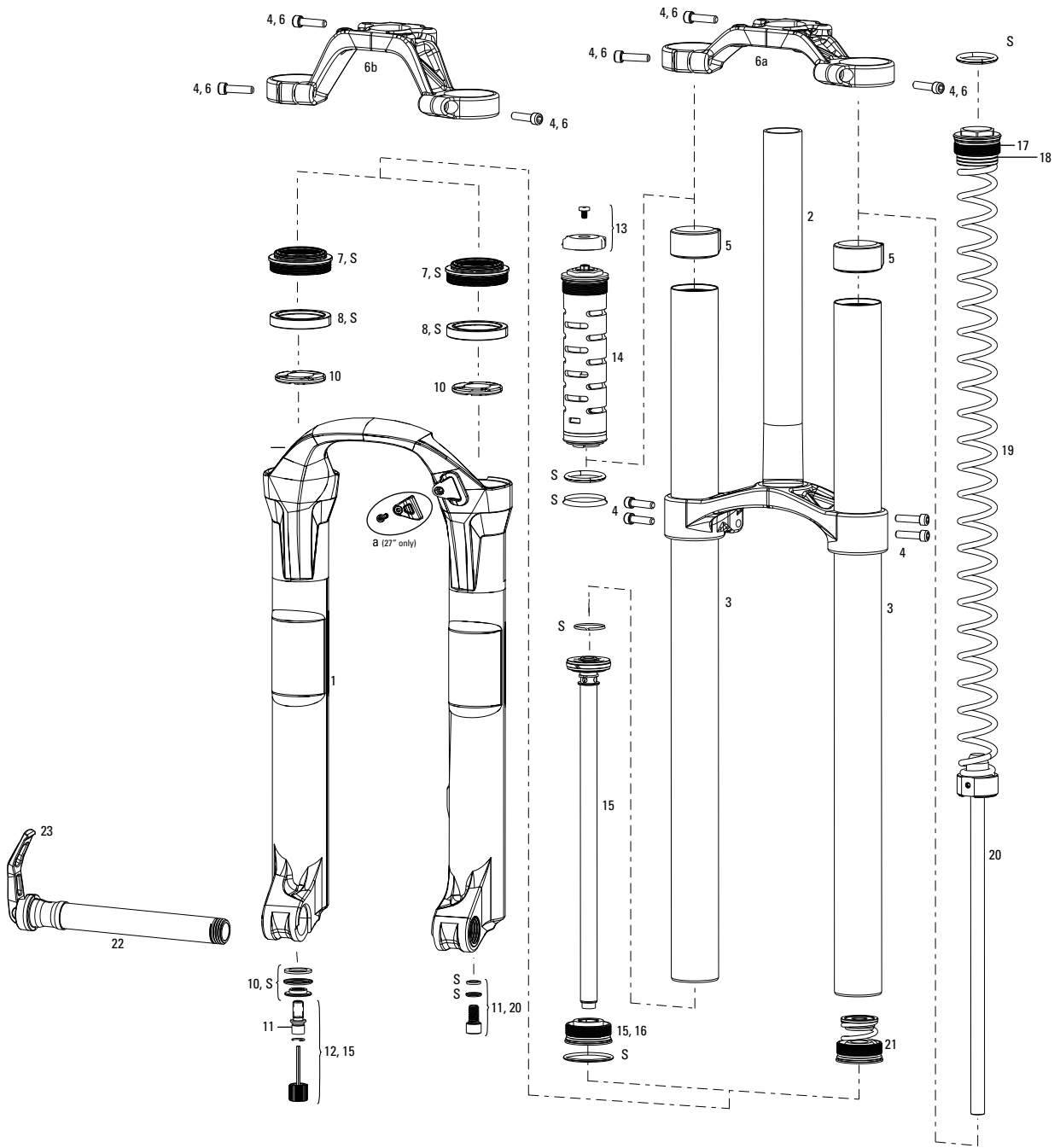


Note:

1. Full service kits include replaceable o-rings, glide rings, retaining rings, crush washers, crush washer retainers and shaft bolts/nuts. All air service kits include replacement schrader valve cores. Not all service parts are pictured. All basic service kits include the following replaceable wear items: o-rings, glide rings, dust seals, and foam rings.
 2. Aftermarket forks include Medium spring installed. Soft and Firm tuning springs are included in fork box.



No.	Part Number	Description
1	11.4015.070.000	Domain/Lyrik Lower Leg Diffusion Black (180mm max travel) nodecals
1	11.4015.224.000	Domain/Lyrik Lower Leg White (180mm max travel) no decals
1	11.4015.069.000	Domain/Lyrik Lower Leg, Black (180mm max travel) no decals
2a	11.4018.008.176	CSU Domain Taper Aluminum Black
2a	11.4018.008.177	CSU Domain Taper Aluminum Diffusion Black
2a	11.4018.008.178	CSU Domain Taper Aluminum White
2a	11.4018.008.179	CSU Domain T2 11/4 Taper Aluminum Black
2b	11.4018.008.170	CSU Domain 11/8 Aluminum Black
2b	11.4018.008.171	CSU Domain 11/8 Aluminum Diffusion Black
2b	11.4018.008.172	CSU Domain 11/8 Aluminum White
2c	11.4018.008.173	CSU Domain 1.5 Aluminum Black
2c	11.4018.008.174	CSU Domain 1.5 Aluminum Diffusion Black
2c	11.4018.008.175	CSU Domain 1.5 Aluminum White
3	11.4015.067.000	Domain/Lyrik Dust Seal/Oil Seal Kit
5	11.4310.465.000	Fork Shaft Bolt Kit
6	11.4015.074.000	Domain/Lyrik/Totem/10-14 Boxxer RC - External Rebound Adjuster Knob & Shaft Bolt Kit
7	11.4015.367.000	Adjuster Knob, Motion Control IS Compression Damper (2010-2016 BoXXer, Domain, Lyrik, Totem)
8	11.4015.051.000	Domain Motion Control IS Compression Damper
9	11.4015.057.000	Domain Rebound Damper Kit
10	11.4015.049.000	Domain Top Cap Kit (L/R)
11	11.4015.043.000	Domain/Lyrik Spring PreLoad Spacers qty 2
12	11.4015.179.000	Domain Spring Single X-Soft Silver
12	11.4015.047.000	Domain Spring Single Soft Yellow
12	11.4015.046.000	Domain Spring Single Medium Red
12	11.4015.045.000	Domain Spring Single Firm Blue
12	11.4015.048.000	Domain Spring Single X-Firm Black
13	11.4015.044.000	Domain Spring Shaft Assy 180mm
13	11.4015.044.010	Domain Spring Shaft Assy 160mm
14	11.4015.056.000	Domain Coil Topout Spring Assy
15	11.4310.717.000	U-Turn Travel Adjuster Knob Aluminum (Coil) Lever
16	11.4015.063.000	Domain U-Turn Topout Spring Assy
17	00.4315.013.030	Axle Maxle Lite Front MTB 20x110 Length 165mm Thread Length9mm Thread Pitch M20x2.0 - 35mm/40mm Chassis (2011-2016)
18	11.4311.722.020	Lever/Wedge Kit, Maxle Lite 20mm (32mm/35mm/40mm) 2011
bulk	11.4015.259.000	Crush Washer 8mm, Qty 50
bulk	11.4015.260.000	Crush Washer Retainer, Qty 50
bulk	11.4015.066.000	Dust Seal 35mm - Domain/Lyrik/Boxxer Qty 20
bulk	11.4015.200.000	Oil Seal 35mm - Lyrik/Domain/Boxxer Qty 20
ns	11.4015.054.000	Domain Damper Service Kit (comp/Rebound) (bottom out bumpers) 2011-2016
S	00.4315.032.230	AM Fork Service Kit, Basic (includes dust seals, foam rings,o-ring seals) - Domain (2012-2016)/Domain Dual Crown
ns	11.4318.003.154	Decal Kit Domain R Silver/White Lower Leg
ns	11.4318.003.155	Decal Kit Domain R Silver/Black Lower Leg
ns	11.4318.003.156	Decal Kit Domain R Silver/Diffusion Black Lower Leg
ns	11.4318.003.157	Decal Kit Domain RC Silver/White Lower Leg
ns	11.4318.003.158	Decal Kit Domain RC Silver/Black Lower Leg
ns	11.4318.003.159	Decal Kit Domain RC Silver/Diffusion Black Lower Leg
ns	11.4015.205.000	Domain/Lyrik Upper Tube/Spring Sleeve
ns	11.4309.073.000	Kit Disk Brake Cable Accessory
ns	11.4315.021.020	RockShox Suspension Oil, 5wt, 120ml Bottle - Fork Damper
ns	11.4015.354.010	RockShox Suspension Oil, 5wt, 1 Liter Bottle - Fork Damper
ns	11.4315.021.040	RockShox Suspension Oil, 15wt, 120ml Bottle - Lower Legs
ns	11.4015.354.030	RockShox Suspension Oil, 15wt, 1 Liter Bottle - Lower Legs
ns	00.4318.008.000	Grease SRAM Butter 20ml Syringe, Friction Reducing Grease bySlickoleum - Recommended for X0/Rise XX/Roam 40, 30/Rail 40/Rise 60 B1/ Hub Pawls, RockShox Forks and Reverb Service
ns	00.4318.008.001	Grease SRAM Butter 1oz Container, Friction Reducing Grease by Slickoleum - Recommended for X0/Rise XX/Roam 40, 30/Rail 40/Rise 60 B1/ Hub Pawls, RockShox Forks and Reverb Service



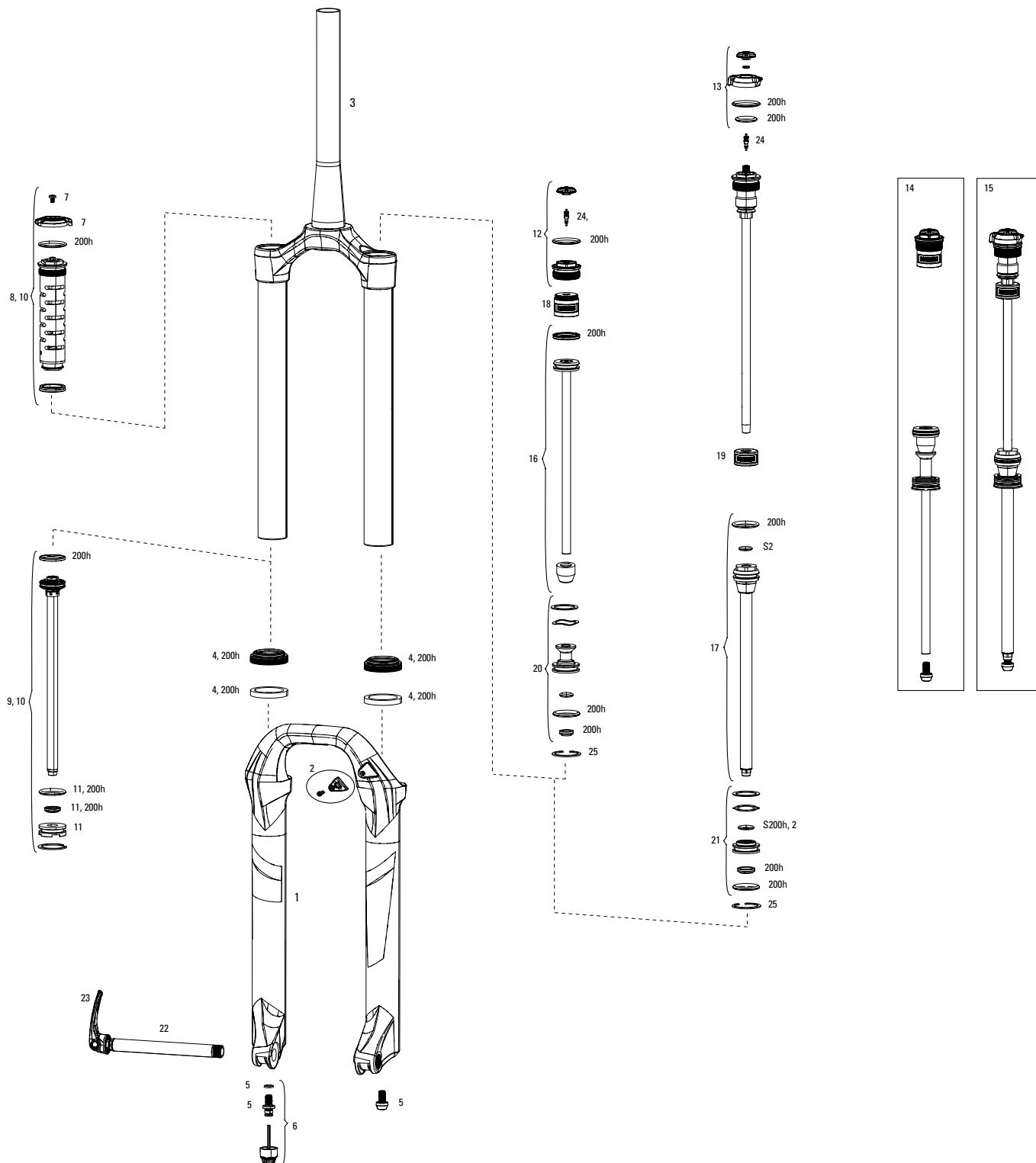
Note:

1. Full service kits include replaceable o-rings, glide rings, retaining rings, crush washers, crush washer retainers and shaft bolts/nuts. All air service kits include replacement schrader valve cores. Not all service parts are pictured. All basic service kits include the following replaceable wear items: o-rings, glide rings, dust seals, and foam rings.
2. Domain (single-crown) lower legs are NOT compatible with Domain Dual Crown.
3. Domain Dual Crown 26" forks have a 160 post mount brake and 27.5" forks have a 200mm post mount brake.
4. Aftermarket forks with Medium spring installed. Soft and Firm tuning springs are included in fork box.

DOMAIN DUAL CROWN (A1-A3/2007-2017)



No.	Part Number	Description
1	11.4015.510.010	Lower Leg - Domain Dual Crown 35mm Black
1	11.4015.510.020	Lower Leg - Domain Dual Crown 35mm White
1	11.4018.006.113	Lower Leg - Domain Dual Crown Diffusion Black
1	11.4018.006.214	Lower Leg Domain Dual Crown Black 27.5 (decals not included)
1	11.4018.006.215	Lower Leg Domain Dual Crown White 27.5 (decals not included)
1	11.4018.006.216	Lower Leg Domain Dual Crown Diffusion Black 27.5 (decals not included)
2	11.4015.362.050	Lower Crown/Steerer Assembly Diffusion Black - Domain Dual Crown/Boxxer
2	11.4015.362.060	Lower Crown/Steerer Assembly White - Domain Dual Crown/Boxxer
2	11.4015.362.070	Lower Crown/Steerer Assembly Black 35mm - Domain Dual Crown/Boxxer
3	11.4015.511.020	Upper Tube Black Silver, Domain Dual Crown - Qty 1
4	11.4018.040.000	Bolt Kit BoXXer/Domain DC Upper Crown/Lower Crown A1-B1
5	11.4015.361.000	Upper Tube/Frame Bumper Stop, Qty 2 - Domain Dual Crown/Boxxer 35mm
a	11.4015.534.010	Hydraulic Hose Clamp, Lower Leg
6a	11.4015.364.100	Upper Crown, 35mm, Short Black Clear - BoXXer/Domain Dual Crown
6a	11.4015.364.110	Upper Crown, 35mm, Short White Clear - BoXXer/Domain Dual Crown
6a	11.4015.364.120	Upper Crown, 35mm, Short Diffusion Black Clear - BoXXer/Domain Dual Crown
6b	11.4015.364.130	Upper Crown, 35mm, Tall Black Clear - BoXXer/Domain Dual Crown
6b	11.4015.364.140	Upper Crown, 35mm, Tall White Clear - BoXXer/Domain Dual Crown
6b	11.4015.364.150	Upper Crown, 35mm, Tall Diffusion Black Clear - BoXXer/Domain Dual Crown
7	11.4015.358.000	Dust Seal Kit, Qty 2 - Domain Dual Crown/Boxxer
8	11.4015.392.000	Pressure Seal Kit, Qty 2 - Domain Dual Crown/BoXXer
10	11.4015.360.000	Lower Leg Bottom-Out Bumper Kit, Qty 2 - Domain Dual Crown/Boxxer
11	11.4015.391.000	Shaft Bolt Kit - Domain Dual Crown/BoXXer 2010-2014
12	11.4015.074.000	Domain/Lyrik/Totem/10-14 Boxxer RC - External Rebound Adjuster Knob & Shaft Bolt Kit
13	11.4015.367.000	Adjuster Knob, Motion Control IS Compression Damper (2010-2016 BoXXer, Domain, Lyrik, Totem)
14	11.4015.051.000	Domain Motion Control IS Compression Damper
15	11.4015.513.010	Rebound Damper and Seal Head Assembly - Domain Dual Crown 2011-2016
16	11.4015.512.010	Seal Head Assembly (Rebound Damper Shaft) Domain Dual Crown 2011-2016 Qty 1
17	11.4015.049.000	Domain Top Cap Kit (L/R)
18	11.4015.376.000	Coil Spring Pre-load Spacers, Qty 4 each - BoXXer Race/RC and Team/R2C2 2010-2016
19	11.4015.380.000	Coil Spring, X-Soft, Silver - Domain Dual Crown/BoXXer Race/RC/Team/R2C2 2010-2017
19	11.4015.380.010	Coil Spring, Soft, Yellow - Domain Dual Crown/BoXXer Race/RC/Team/R2C2 2010-2017
19	11.4015.380.020	Coil Spring, Medium, Red standard - Domain Dual Crown/BoXXer Race/RC/Team/R2C2 2010-2017
19	11.4015.380.030	Coil Spring, Firm, Blue - Domain Dual Crown-Boxxer Race/RC/Team/R2C2 2010-2017
19	11.4015.380.040	Coil Spring, X-Firm, Black- Domain Dual Crown/BoXXer Race/RC/Team/R2C2 2010-2017
20	11.4015.381.000	Coil Spring Shaft (shaft bolt) - Domain Dual Crown/BoXXer Race/RC/Team/R2C2 2010-2016
21	11.4015.512.020	Top Out/Baseplate Assy, Spring, Domain Dual Crown - Qty 1
22	00.4315.013.030	Axle Maxle Lite Front MTB 20x110 Length 165mm Thread Length 9mm Thread Pitch M20x2.0 - 35mm/40mm Chassis (2011-2016)
23	11.4311.722.020	Lever/Wedge Kit, Maxle Lite 20mm (32mm/35mm/40mm) 2011
ns	11.4015.054.000	Domain Damper Service Kit (comp/Rebound) (bottom out bumpers) 2011-2016
S	00.4315.032.230	AM Fork Service Kit, Basic (includes dust seals, foam rings,o-ring seals) - Domain (2012-2016)/Domain Dual Crown
bulk	11.4015.066.000	Dust Seal 35mm - Domain/Lyrik/Boxxer Qty 20
bulk	11.4015.200.000	Oil Seal 35mm - Lyrik/Domain/Boxxer Qty 20
bulk	11.4015.259.000	Crush Washer 8mm, Qty 50
bulk	11.4015.260.000	Crush Washer Retainer, Qty 50
ns	11.4318.003.442	Decal Kit Domain Dual Crown 26/27.5 White/Black Lower Leg A1
ns	11.4318.003.443	Decal Kit Domain Dual Crown 26/27.5 Black/White Lower Leg A1
ns	11.4318.003.444	Decal Kit Domain Dual Crown 26/27.5 White/Diffusion Black Lower Leg A1
ns	11.4309.073.000	Kit Disk Brake Cable Accessory
ns	11.4315.021.020	RockShox Suspension Oil, 5wt, 120ml Bottle - Fork Damper
ns	11.4015.354.010	RockShox Suspension Oil, 5wt, 1 Liter Bottle - Fork Damper
ns	11.4315.021.040	RockShox Suspension Oil, 15wt, 120ml Bottle - Lower Legs
ns	11.4015.354.030	RockShox Suspension Oil, 15wt, 1 Liter Bottle - Lower Legs
ns	00.4318.008.000	Grease SRAM Butter 20ml Syringe, Friction Reducing Grease by Slickoleum - Recommended for X0/Rise XX/Roam 40, 30/Rail 40/Rise 60 B1/ Hub Pawls, RockShox Forks and Reverb Service
ns	00.4318.008.001	Grease SRAM Butter 1oz Container, Friction Reducing Grease by Slickoleum - Recommended for X0/Rise XX/Roam 40, 30/Rail 40/Rise 60 B1/ Hub Pawls, RockShox Forks and Reverb Service



Note:

1. 200h service kits include replaceable o-rings, glide rings, retaining rings, crush washers, sealheads, lower leg seals and foam rings. See www.sram.com/service for more information.
2. For Travel Change and Bottomless Token options, see the respective pages in this catalog, listed in the Index.
3. Yari CSU's do not come with gradients printed on the stanchion tubes.

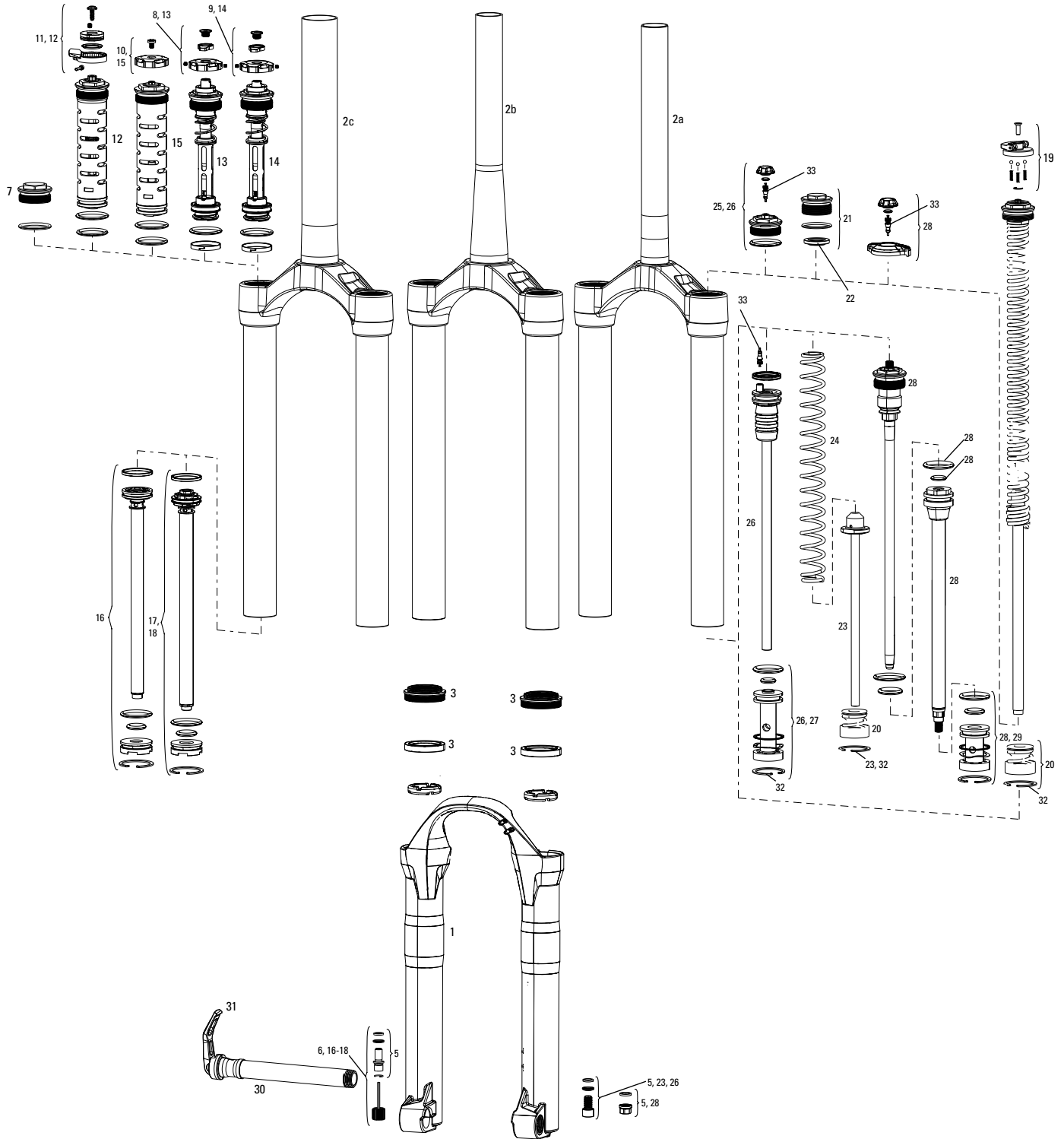
YARI (A1/2016-2017)



No.	Part Number	Description
200h	00.4315.032.622	200 hour/1 year Service Kit (includes dust seals, foam rings, o-ring seals, DPA sealhead) - Yari Dual Position Air A1
200h	00.4315.032.623	200 hour/1 year Service Kit (includes dust seals, foam rings, o-ring seals, SA sealhead) - Yari Solo Air A1
1	11.4018.006.240	Lower Leg Lyrik B1/Yari 27.5 Maxle 15 Disc Black (decals not included)
1	11.4018.006.241	Lower Leg Lyrik B1/Yari 27.5 Maxle 15 Disc White (decals not included)
1	11.4018.006.242	Lower Leg Lyrik B1/Yari 27.5 Maxle 15 Disc Diffusion Black (decals not included)
1	11.4018.006.243	Lower Leg Lyrik B1/Yari 29 Maxle 15 Disc Black (decals not included)
1	11.4018.006.244	Lower Leg Lyrik B1/Yari 29 Maxle 15 Disc White (decals not included)
1	11.4018.006.245	Lower Leg Lyrik B1/Yari 29 Maxle 15 Disc Diffusion Black (decals not included)
1	11.4018.006.246	Lower Leg Lyrik B1/Yari 27.5 Boost Compatible 15X110 Disc Black (decals not included)
1	11.4018.006.247	Lower Leg Lyrik B1/Yari 27.5 Boost Compatible 15X110 Disc White (decals not included)
1	11.4018.006.248	Lower Leg Lyrik B1/Yari 27.5 Boost Compatible 15X110 Disc Diffusion Black (decals not included)
1	11.4018.006.249	Lower Leg Lyrik B1/Yari 2927+ Boost Compatible 15X110 Disc Black (decals not included)
1	11.4018.006.250	Lower Leg Lyrik B1/Yari 2927+ Boost Compatible 15X110 Disc White (decals not included)
1	11.4018.006.251	Lower Leg Lyrik B1/Yari 2927+ Boost Compatible 15X110 Disc Diffusion Black (decals not included)
2	11.4015.534.010	Hydraulic Hose Clamp, Lower Leg
3	11.4018.008.438	CSU Lyrik B1/Yari Solo Air 27.5 42 Off-Set Aluminum Taper Black (no gradients)
3	11.4018.008.439	CSU Lyrik B1/Yari Solo Air 27.5 42 Off-Set Aluminum Taper White (no gradients)
3	11.4018.008.440	CSU Lyrik B1/Yari Solo Air 27.5 42 Off-Set Aluminum Taper Diffusion Black (no gradients)
3	11.4018.008.441	CSU Lyrik B1/Yari Dual Position Air 27.5 42 Off-Set Aluminum Taper Black (no gradients)
3	11.4018.008.442	CSU Lyrik B1/Yari Dual Position Air 27.5 42 Off-Set Aluminum Taper White (no gradients)
3	11.4018.008.443	CSU Lyrik B1/Yari Dual Position Air 27.5 42 Off-Set Aluminum Taper Diffusion Black (no gradients)
3	11.4018.008.444	CSU Lyrik B1/Yari Solo Air 29 51 Off-Set Aluminum Taper Black (no gradients)
3	11.4018.008.445	CSU Lyrik B1/Yari Solo Air 29 51 Off-Set Aluminum Taper White (no gradients)
3	11.4018.008.446	CSU Lyrik B1/Yari Solo Air 29 51 Off-Set Aluminum Taper Diffusion Black (no gradients)
3	11.4018.008.447	CSU Lyrik B1/Yari Dual Position Air 29 51 Off-Set Aluminum Taper Black (no gradients)
3	11.4018.008.448	CSU Lyrik B1/Yari Dual Position Air 29 51 Off-Set Aluminum Taper White (no gradients)
3	11.4018.008.449	CSU Lyrik B1/Yari Dual Position Air 29 51 Off-Set Aluminum Taper Diffusion Black (no gradients)
3	11.4018.008.450	CSU Lyrik B1/Yari Solo Air 27.5 Boost Compatible 15X110 42 Off-Set Aluminum Taper Black (no gradients)
3	11.4018.008.451	CSU Lyrik B1/Yari Solo Air 27.5 Boost Compatible 15X110 42 Off-Set Aluminum Taper White (no gradients)
3	11.4018.008.452	CSU Lyrik B1/Yari Solo Air 27.5 Boost Compatible 15X110 42 Off-Set Aluminum Taper Diffusion Black (no gradients)
3	11.4018.008.453	CSU Lyrik B1/Yari Dual Position Air 27.5 Boost Compatible 15X110 42 Off-Set Aluminum Taper Black (no gradients)
3	11.4018.008.454	CSU Lyrik B1/Yari Dual Position Air 27.5 Boost Compatible 15X110 42 Off-Set Aluminum Taper White (no gradients)
3	11.4018.008.455	CSU Lyrik B1/Yari Dual Position Air 27.5 Boost Compatible 15X110 42 Off-Set Aluminum Taper Diffusion Black (no gradients)
3	11.4018.008.456	CSU Lyrik B1/Yari Solo Air 2927+ Boost Compatible 15X110 510ff-Set Aluminum Taper Black (no gradients)
3	11.4018.008.457	CSU Lyrik B1/Yari Solo Air 2927+ Boost Compatible 15X110 510ff-Set Aluminum Taper White (no gradients)
3	11.4018.008.458	CSU Lyrik B1/Yari Solo Air 2927+ Boost Compatible 15X110 510ff-Set Aluminum Taper Diffusion Black (no gradients)
3	11.4018.008.459	CSU Lyrik B1/Yari Dual Position Air 2927+ Boost Compatible 15X110 51 Off-Set Aluminum Taper Black (no gradients)
3	11.4018.008.460	CSU Lyrik B1/Yari Dual Position Air 2927+ Boost Compatible 15X110 51 Off-Set Aluminum Taper White (no gradients)
3	11.4018.008.461	CSU Lyrik B1/Yari Dual Position Air 2927+ Boost Compatible 15X110 51 Off-Set Aluminum Taper Diffusion Black (no gradients)
4	11.4018.028.013	Dust Seal/Foam Ring Black 35mm SKF Seal, 6mm Foam Ring - PIKE/Lyrik B1/Yari/BoXXer/Domain Dual Crown
5	11.4015.403.100	Shaft Fastener Kit Yari (Includes shaft bolts and crush washers)
6	11.4015.404.027	Rebound Adjuster Knob/Bolt Kit - Yari
7	11.4015.547.160	Knob Kit, Compression Damper (includes compression damper knob and bolt) Motion Control - Yari
8	11.4015.544.380	Compression Damper, Motion Control, Crown Adjust - Yari (includes compression knob and bolt)
9	11.4018.025.019	Rebound Damper and Seal Head Assembly/Shaft Bolt- Yari
10	11.4018.009.079	Damper Internals Right Motion Control Yari RL 27.5/29/27.5 Boost Compatible 15X110/2927+ Boost Compatible 15x110 Adjust
11	11.4015.353.070	Seal Head Assembly (Rebound Damper, Motion Control) 35mm - Yari
12	11.4018.012.010	Air Top Cap, Solo Air 35mm PIKE 27.5 Boost Compatible 15X110/2927+ Boost Compatible 15X110, Lyrik B1/Yari 27/27.5 BoostCompatible 15x110/29/2927+ Boost Compatible 15x110
13	11.4015.552.011	Adjuster Knob Aluminum, Dual Position Air - (Dual Wing Adjuster Knob) Revelation New A1-A4/PIKE/Lyrik B1/Yari
14	11.4018.010.191	Spring Internals Left Solo Air - 120 (includes air top cap, solo air spring and shaft bolt) Lyrik B1/Yari A1/Pike 29+
14	11.4018.010.192	Spring Internals Left Solo Air - 130 (includes air top cap, solo air spring and shaft bolt) Lyrik B1/Yari A1/Pike 29+
14	11.4018.010.193	Spring Internals Left Solo Air - 140 (includes air top cap, solo air spring and shaft bolt) Lyrik B1/Yari A1/Pike 29+
14	11.4018.010.194	Spring Internals Left Solo Air - 150 (includes air top cap, solo air spring and shaft bolt) Lyrik B1/Yari A1/Pike 29+
14	11.4018.010.195	Spring Internals Left Solo Air - 160 (includes air top cap, solo air spring and shaft bolt) Lyrik B1/Yari A1/Pike 29+
14	11.4018.010.196	Spring Internals Left Solo Air - 170 (includes air top cap, solo air spring and shaft bolt) Lyrik B1/Yari A1
14	11.4018.010.197	Spring Internals Left Solo Air - 180 (includes air top cap, solo air spring and shaft bolt) Lyrik B1/Yari A1
15	11.4018.010.198	Spring Internals Left Dual Position Air - 150 (includes air top cap, DP air spring, shaft bolt) Lyrik B1/Yari A1/Pike 29+
15	11.4018.010.199	Spring Internals Left Dual Position Air - 160 (includes air top cap, DP air spring, shaft bolt) Lyrik B1/Yari A1/Pike 29+
15	11.4018.010.200	Spring Internals Left Dual Position Air - 170 (includes air top cap, DP air spring and shaft bolt) Lyrik B1/Yari A1
15	11.4018.010.201	Spring Internals Left Dual Position Air - 180 (includes air top cap, DP air spring and shaft bolt) Lyrik B1/Yari A1
16	11.4018.026.010	Air Shaft Solo Air - PIKE (140mm 26/130mm 27.5), Yari (120mm)
16	11.4018.026.003	Air Shaft Solo Air - PIKE (150mm 26/140mm 27.5/120mm 29), Yari (130mm)
16	11.4018.026.000	Air Shaft Solo Air - PIKE (160mm 26/150mm 27.5/130mm 29), Yari (140mm)
16	11.4018.026.001	Air Shaft Solo Air - PIKE (160mm 27.5/140mm 29), Lyrik/Yari(150mm)
16	11.4018.026.004	Air Shaft Solo Air - PIKE (150mm 29), Lyrik/Yari (160mm)
16	11.4018.026.002	Air Shaft Solo Air - PIKE (160mm 29), Lyrik/Yari (170mm 27.5only)
16	11.4018.026.020	Air Shaft Solo Air - Lyrik B1/Yari (180mm 27.5 only)
17	11.4018.026.005	Air Shaft Dual Position Air - PIKE (160mm 26/150mm 27.5), Lyrik/Yari (150mm)
17	11.4018.026.006	Air Shaft Dual Position Air - PIKE (160mm 27.5), Lyrik/Yari(160mm)
17	11.4018.026.009	Air Shaft Dual Position Air - PIKE (150mm 29), Lyrik/Yari (170mm 27.5 only)
17	11.4018.026.007	Air Shaft Dual Position Air - PIKE (160mm 29), Lyrik/Yari (180mm 27.5 only)
18	11.4018.032.000	Bottomless Tokens Qty 3 PIKE/BoXXer B1/Lyrik B1/Yari
18	11.4018.032.001	Bottomless Tokens Qty 10 PIKE/BoXXer B1/Lyrik B1/Yari
19	11.4018.032.004	Bottomless Tokens Dual Position Air Qty 3 PIKE/Lyrik B1/Yari
19	11.4018.032.005	Bottomless Tokens Dual Position Air Qty 10 PIKE/Lyrik B1/Yari



No.	Part Number	Description
20	11.4018.037.001	Seal head Assembly Solo Air - Lyrik B1/Yari
21	11.4015.505.030	Dual Position Air - Sealhead Assembly - Lyrik B1/Yari
22	00.4318.005.001	Axle Maxle Ultimate Front MTB, 15x100, Length 148mm, ThreadLength 9mm, Thread Pitch M15x1.50 - PIKE, RS1, Lyrik B1, Yari
22	00.4318.005.007	Axle Maxle Ultimate Front MTB, 15x110, Length 158mm, ThreadLength 9mm, Thread Pitch M15x1.50 - PIKE, Lyrik B1, Yari Boost Compatible
23	11.4318.004.000	Maxle Ultimate Lever Assembly B1
24	11.4308.327.002	Schrader Valve Core Qty 2
25	11.4015.558.020	Retaining Ring, Upper Tube, 35mm - Qty 2
bulk	11.4018.028.014	Dust Seal 35mm SKF Black Qty 20 - PIKE/Lyrik B1/Yari/BoXXer/Domain Dual Crown
bulk	11.4018.028.005	Foam Ring 35mm x 6mm Qty 20 - PIKE/Lyrik B1/Yari/BoXXer/Domain Dual Crown
ns	11.4318.003.462	Decal Kit Yari 27/27 Boost Compatible 15x110/29/2927+ BoostCompatible 15x110 White/Black Lower Leg
ns	11.4318.003.463	Decal Kit Yari 27/27 Boost Compatible 15x110/29/2927+ BoostCompatible 15x110 Black/White Lower Leg
ns	11.4318.003.464	Decal Kit Yari 27/27 Boost Compatible 15x110/29/2927+ BoostCompatible 15x110 White/Diffusion Black Lower Leg
ns	11.4309.073.000	Kit Disk Brake Cable Accessory
ns	00.4315.023.010	High-Pressure Fork/Shock Pump (300 psi Max) RockShox
ns	00.4315.023.040	High-Pressure Fork/Shock Pump (300 psi Max) RockShox DigitalGauge
ns	00.4315.022.010	Schrader Valve Removal Tool Rockshox
ns	11.4315.021.080	RockShox Suspension Oil, 0W-30, 120ml Bottle - Pike/Lyrik B1/Yari Lower Legs
ns	11.4015.354.050	RockShox Suspension Oil, 0-W30, 1 Liter Bottle - Pike/LyrikB1/Yari Lower Legs
ns	11.4315.021.040	RockShox Suspension Oil, 15wt, 120ml Bottle - Lower Legs
ns	11.4015.354.030	RockShox Suspension Oil, 15wt, 1 Liter Bottle - Lower Legs
ns	00.4318.008.000	Grease SRAM Butter 20ml Syringe, Friction Reducing Grease bySlickoleum - Recommended for X0/Rise XX/Roam 40, 30/Rail 40/Rise 60 B1/ Hub Pawls, RockShox Forks and Reverb Service
ns	00.4318.008.001	Grease SRAM Butter 1oz Container, Friction Reducing Grease by Slickoleum - Recommended for X0/Rise XX/Roam 40, 30/Rail 40/Rise 60 B1/ Hub Pawls, RockShox Forks and Reverb Service



Note:

1. Full service kits include replaceable o-rings, glide rings, retaining rings, crush washers, crush washer retainers and shaft bolts/nuts. All air service kits include replacement schrader valve cores. Not all service parts are pictured. All basic service kits include the following replaceable wear items: o-rings, glide rings, dust seals, and foam rings.
2. All Lyrik models are compatible with Motion Control IS, Mission Control and Mission Control DH dampers.
3. If damper tube needs to be replaced, replace original rebound damper with current rebound damper. 2010+ Lyrik rebound damper assemblies use a larger piston and do not require the 2007-2009 damper tube. 2007-2009 damper tube is not compatible with 2010+ Lyrik.
4. Maxle lever and wedge parts are not compatible with Maxle Lite FR.
5. 2-Step Air replacement parts are no longer available. Replace system with Dual Position Air if parts are needed.
6. Aftermarket forks with Medium spring installed. Soft and Firm tuning springs are included in fork box.

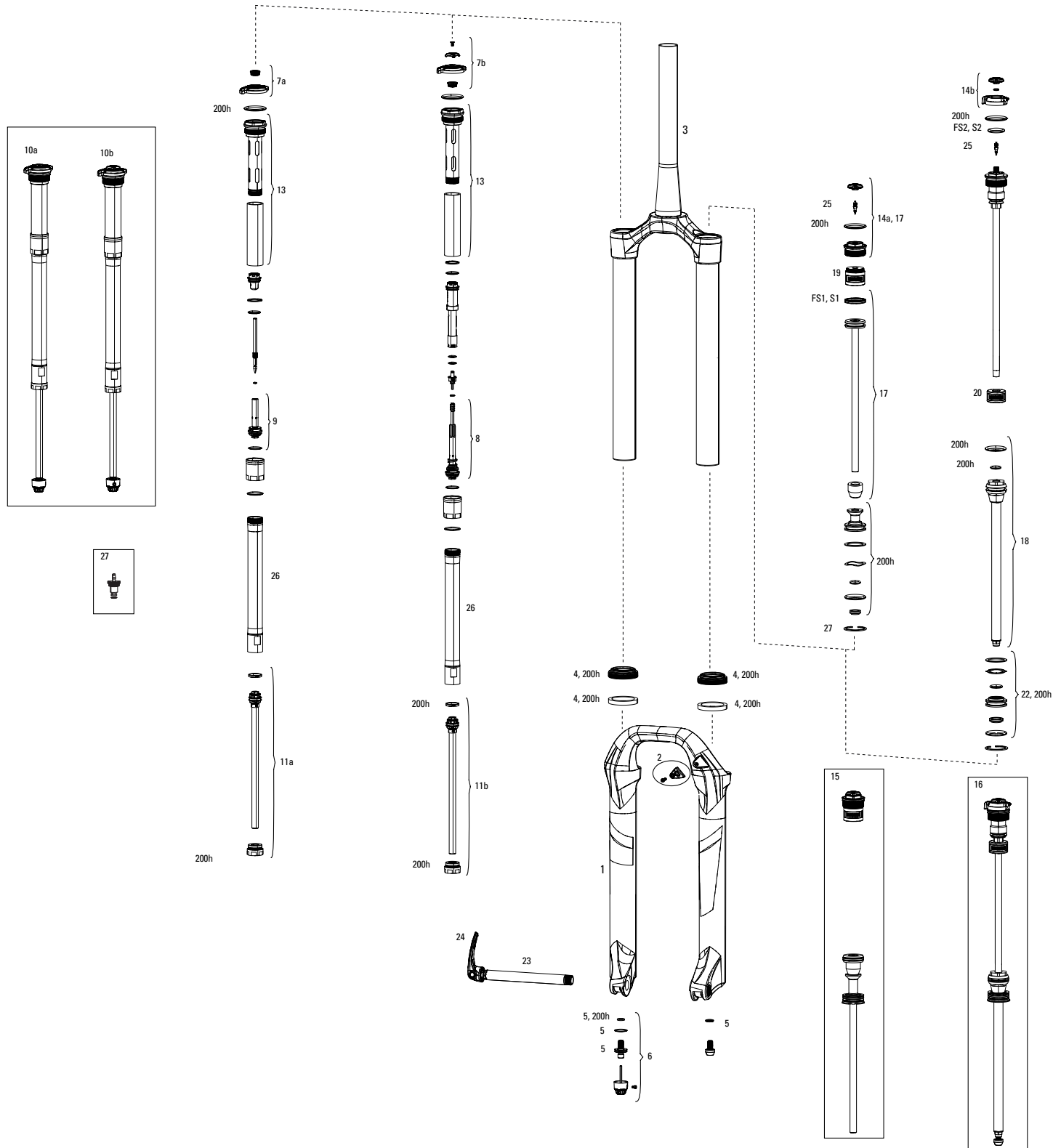
LYRIK (A1-A2/2010-2016)



No.	Part Number	Description
ns	00.4018.783.002	Damper Upgrade Kit - Charger RCT3 - Includes Complete RightSide Internals, 170 max travel - LYRIK 26"
1	11.4018.006.043	Lower Leg, Black/Silver - Lyrik
1	11.4018.006.044	Lower Leg, White/Silver - Lyrik
1	11.4018.006.045	Lower Leg, Diffusion Black/Silver - Lyrik
1	11.4015.070.000	Domain/Lyrik Lower Leg Diffusion Black (180mm max travel) nodecals
1	11.4015.224.000	Domain/Lyrik Lower Leg White (180mm max travel) no decals
1	11.4015.069.000	Domain/Lyrik Lower Leg, Black (180mm max travel) no decals
2a	11.4015.411.070	CSU, U-Turn, Black Crown, AL Steerer 1 1/8" - Lyrik
2a	11.4015.411.100	CSU, Coil/Solo Air, White Crown, AL Steerer 1 1/8" - Lyrik
2a	11.4018.008.180	CSU Lyrik Solo Air/Coil 1/18 Black
2a	11.4018.008.181	CSU Lyrik Solo Air/Coil 1/18 Diffusion Black
2a	11.4015.411.120	CSU, 2-Step/Dual Position Air, White Crown, AL Steerer 1 1/8" - Lyrik
2a	11.4015.411.210	CSU, 2-Step/Dual Position Air, Gloss Black Crown, AL Steerer 1 1/8" - Lyrik
2a	11.4018.008.182	CSU Lyrik Dual Position Air 1/18 Diffusion Black
2b	11.4015.411.130	CSU, U-Turn, Black Crown, AL Steerer Tapered - Lyrik
2b	11.4015.411.160	CSU, Coil/Solo Air, White Crown, AL Steerer Tapered - Lyrik
2b	11.4018.008.183	CSU Lyrik Solo Air/Coil Taper Black
2b	11.4018.008.185	CSU Lyrik Solo Air/Coil 11/4 Taper T2 Black
2b	11.4015.411.180	CSU, 2-Step/Dual Position Air, White Crown, AL Steerer Tapered - Lyrik
2b	11.4015.411.190	CSU, 2-Step/Dual Position Air, Black Crown AL Steerer Tapered - Lyrik180
2b	11.4015.411.220	CSU, 2-Step/Dual Position Air, Gloss Black Crown, AL SteererTapered - Lyrik
2b	11.4018.008.184	CSU Lyrik Dual Position Air Taper Diffusion Black
2b	11.4018.008.207	CSU Lyrik Solo Air/Coil Taper Diffusion Black
2c	11.4015.411.010	CSU, U-Turn, Black Crown, AL Steerer 1.5" - Lyrik
2c	11.4015.411.030	CSU, Coil/Solo Air, Black Crown, AL Steerer 1.5" - Lyrik
2c	11.4015.411.040	CSU, Coil/Solo Air, White Crown, AL Steerer 1.5" - Lyrik
2c	11.4015.411.060	CSU, 2-Step/Dual Position Air, White Crown, AL Steerer 1.5" - Lyrik
2c	11.4015.411.200	CSU, 2-Step/Dual Position Air, Gloss Black Crown, AL Steerer1.5" - Lyrik
3	11.4015.067.000	Domain/Lyrik Dust Seal/Oil Seal Kit
5	11.4015.403.030	Shaft Fastener Kit (Alum) - 2012 Lyrik/Totem (shaft bolts and air shaft nut) (compatible with all Lyrik models and years)
6	11.4015.074.000	Domain/Lyrik/Totem/10-14 Boxxer RC - External Rebound Adjuster Knob & Shaft Bolt Kit
7	11.4015.351.000	LyrikR Rebound Top Cap
8	11.4015.547.060	Knob Kit, Compression Damper, Mission Control - Lyrik/TotemA1-A3 (2012-2015)
9	11.4015.547.070	Knob Kit, Compression Damper, Mission Control DH - Lyrik/Totem A1-A3 (2012-2015)
10	11.4015.367.000	Adjuster Knob, Motion Control IS Compression Damper (2010-2016 BoXXer, Domain, Lyrik, Totem)
11	11.4015.528.010	Remote Spool and Clamp Kit - 2011 Lyrik 180 RLR (for remotecompression damper)
12	11.4015.415.070	Compression Damper Remote (Motion Control IS) - 2011 Lyrik 180 RLR (compatible with all Lyrik models and years)
13	11.4015.544.150	Compression Damper, Mission Control (w/ Floodgate) - 2012 Lyrik (includes comp knobs, compatible with all Lyrik models and years)
14	11.4015.544.160	Compression Damper, Mission Control DH (no Floodgate) - 2012Lyrik (includes comp knobs, compatible with all Lyrik models and years)
15	11.4015.544.170	Compression Damper, Motion Control IS - 2012 Lyrik (includescomp knobs, compatible with all Lyrik models and years)
16	11.4015.416.010	Rebound Damper, Motion Control IS - Lyrik/2010-2012 Totem (compatible with all Lyrik models and years) (includes reboundadjuster knob)
17	11.4015.416.020	Rebound Damper, Mission Control/Mission Control DH - Lyrik (Alum Shaft) (compatible with all Lyrik models and years) (includes rebound adjuster knob)
18	11.4015.416.040	Rebound Damper and Seal Head - 2010-2015 Lyrik 180 RLR Plus(alum shaft, includes rebound adjuster knob)
19	11.4310.717.000	U-Turn Travel Adjuster Knob Aluminum (Coil) Lever
20	11.4015.458.010	Lyrik Coil/U-Turn Top Out Assembly
21	11.4015.420.010	Top Cap, Coil - 2010-2015 Lyrik
22	11.4015.043.000	Domain/Lyrik Spring PreLoad Spacers qty 2
23	11.4015.421.010	Spring Shaft Assy, 170mm - 2010-2015 Lyrik
23	11.4015.421.020	Spring Shaft Assy, 160mm - 2010-2014 Lyrik
24	11.4015.422.010	Spring, Coil, 170mm, X-Soft Silver - 2010-2015 Lyrik
24	11.4015.422.020	Spring, Coil, 170mm, Soft Yellow - 2010-2015 Lyrik
24	11.4015.422.030	Spring, Coil, 170mm, Medium Red - 2010-2015 Lyrik
24	11.4015.422.040	Spring, Coil, 170mm, Firm Blue - 2010-2015 Lyrik
24	11.4015.422.050	Spring, Coil, 170mm, X-Firm Black - 2010-2015 Lyrik
25	11.4015.083.000	Lyrik Air Top Cap Kit
ns	00.4315.032.090	AM Fork Service Kit, Basic (includes dust seals, foam rings, o-ring seals) - Lyrik Coil (2012-2015)
ns	00.4315.032.110	AM Fork Service Kit, Basic (includes dust seals, foam rings, o-ring seals) - Lyrik Dual Position Air (2012-2015)
ns	00.4315.032.100	AM Fork Service Kit, Basic (includes dust seals, foam rings, o-ring seals) - Lyrik Solo Air (2012-2015)
ns	11.4015.419.030	Service Kit, Solo Air - 2010-2015 Lyrik (includes both 2010-2011 and 2012-2015 air spring service parts)
ns	11.4015.087.000	Lyrik Damper (Comp/Rebound) Service Kit
26	11.4018.010.080	Spring Internals Left Solo Air Lyrik 160 (includes air top cap, solo air spring and shaft bolt) 2007-2015
26	11.4018.010.081	Spring Internals Left Solo Air Lyrik 170 (includes air top cap, solo air spring and shaft bolt) 2007-2015
26	11.4018.010.082	Spring Internals Left Solo Air Lyrik 180 (includes air top cap, solo air spring and shaft bolt) 2007-2015
26	11.4018.010.083	Spring Internals Left Dual Position Air Lyrik 160 (includesair top cap, adjuster knob, Dual Spring Assembly and shaft bolt) 2007-2015
26	11.4018.010.084	Spring Internals Left Dual Position Air Lyrik 180 (includesair top cap, adjuster knob, Dual Spring Assembly and shaft bolt) 2007-2015
27	11.4018.013.000	Base Plate (Solo Air) Lyrik - 160mm 2007-2013
27	11.4018.013.001	Base Plate (Solo Air) Lyrik - 170mm 2007-2013
27	11.4018.013.002	Base Plate (Solo Air) Lyrik - 180mm 2007-2013
ns	11.4018.024.001	Base Plate/Scraper seal Lyrik Solo Air 150mm 2012-2015
ns	11.4018.024.002	Base Plate/Scraper seal Lyrik Solo Air 160mm 2012-2015
ns	11.4018.024.003	Base Plate/Scraper seal Lyrik Solo Air 170mm 2012-2015
ns	11.4018.024.004	Base Plate/Scraper seal Lyrik Solo Air 180mm 2012-2015
28	11.4015.551.030	Dual Position Air Spring 160mm/Top Cap/Aluminum Adjuster Knob Assembly (complete) - 2012 Lyrik
28	11.4015.551.040	Dual Position Air Spring 170mm/Top Cap/Aluminum Adjuster Knob Assembly (complete) - 2012 Lyrik
28	11.4015.551.050	Dual Position Air Spring 180mm/Top Cap/Aluminum Adjuster Knob Assembly (complete) - 2012 Lyrik
29	11.4018.013.003	Base Plate (Dual Position Air) Lyrik - 160mm 2007-2015
29	11.4018.013.004	Base Plate (Dual Position Air) Lyrik - 180mm 2007-2015
30	00.4315.013.030	Axle Maxle Lite Front MTB 20x110 Length 165mm Thread Length9mm Thread Pitch M20x2.0 - 35mm/40mm Chassis (2011-2016)
31	11.4311.722.020	Lever/Wedge Kit, Maxle Lite 20mm (32mm/35mm/40mm) 2011
32	11.4015.558.020	Retaining Ring, Upper Tube, 35mm - Qty 2
33	11.4308.327.002	Schrader Valve Core Qty 2



No.	Part Number	Description
ns	11.4015.205.000	Domain/Lyrik Upper Tube/Spring Sleeve
bulk	11.4015.259.000	Crush Washer 8mm, Qty 50
bulk	11.4015.260.000	Crush Washer Retainer, Qty 50
bulk	11.4015.066.000	Dust Seal 35mm - Domain/Lyrik/Boxxer Qty 20
bulk	11.4015.200.000	Oil Seal 35mm - Lyrik/Domain/Boxxer Qty 20
ns	11.4309.073.000	Kit Disk Brake Cable Accessory
ns	00.4315.023.010	High-Pressure Fork/Shock Pump (300 psi Max) RockShox
ns	00.4315.023.040	High-Pressure Fork/Shock Pump (300 psi Max) RockShox DigitalGauge
ns	00.4315.022.010	Schrader Valve Removal Tool Rockshox
ns	11.4315.021.020	RockShox Suspension Oil, 5wt, 120ml Bottle - Fork Damper
ns	11.4015.354.010	RockShox Suspension Oil, 5wt, 1 Liter Bottle - Fork Damper
ns	11.4315.021.040	RockShox Suspension Oil, 15wt, 120ml Bottle - Lower Legs
ns	11.4015.354.030	RockShox Suspension Oil, 15wt, 1 Liter Bottle - Lower Legs
ns	00.4318.008.000	Grease SRAM Butter 20ml Syringe, Friction Reducing Grease bySlickoleum - Recommended for X0/Rise XX/Roam 40, 30/Rail 40/Rise 60 B1/ Hub Pawls, RockShox Forks and Reverb Service
ns	00.4318.008.001	Grease SRAM Butter 1oz Container, Friction Reducing Grease by Slickoleum - Recommended for X0/Rise XX/Roam 40, 30/Rail 40/Rise 60 B1/ Hub Pawls, RockShox Forks and Reverb Service



Note:

1. 200h service kits include replaceable o-rings, glide rings, retaining rings, crush washers, sealheads, lower leg seals and foam rings. See www.sram.com/service for more information.

2. For Travel Change and Bottomless Token options, see the respective pages in this catalog, listed in the Index.

3. Lyrik CSU's do not come with gradients printed on the stanchion tubes.

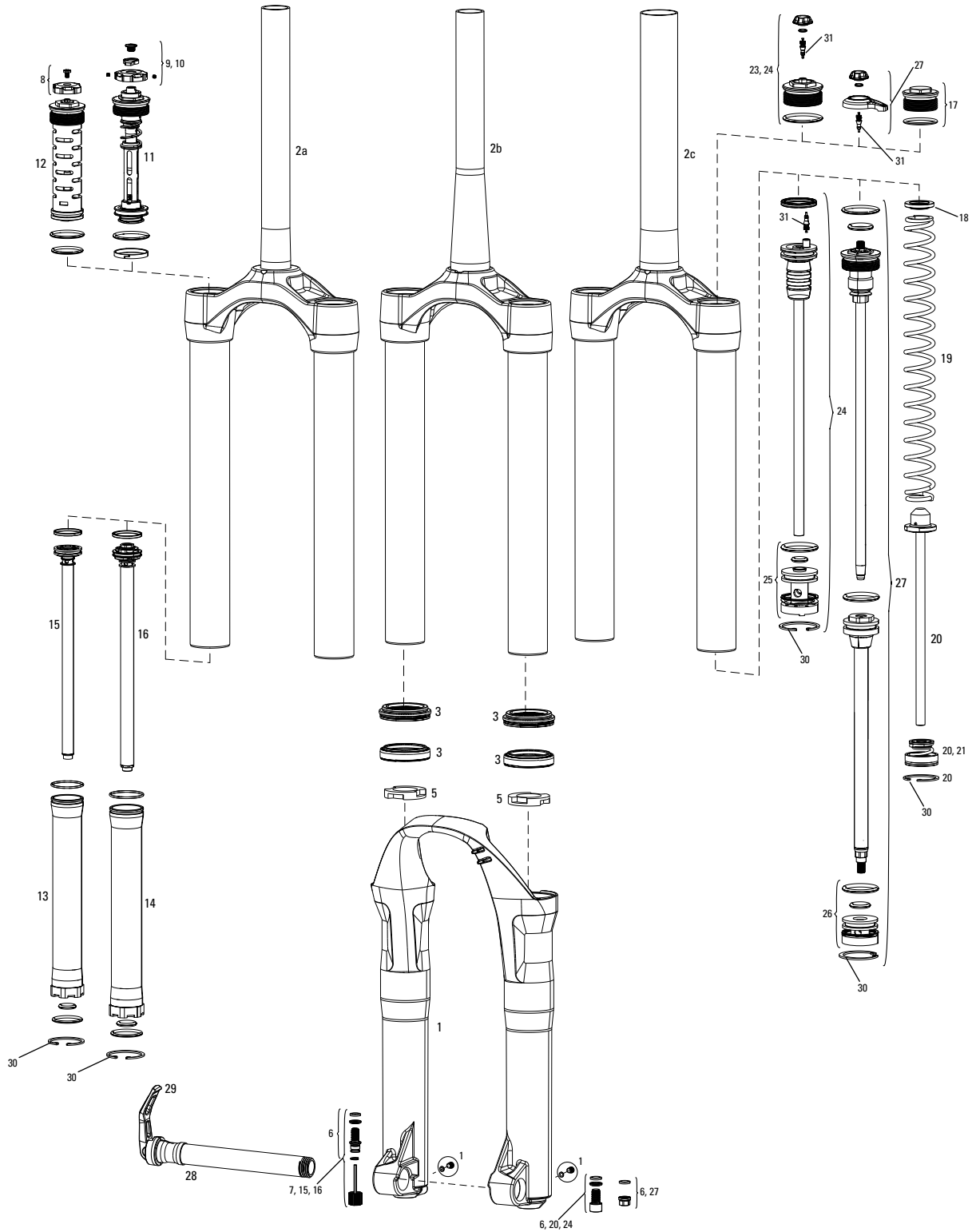
LYRIK RCT3 (A1/2016-2017), RC (B1/2016-2017)



No.	Part Number	Description
200h	00.4315.032.620	200 hour/1 year Service Kit (includes dust seals, foam rings, o-ring seals, Charger sealhead, DPA sealhead) - Lyrik/Pike 29+ Dual Position Air A1
200h	00.4315.032.621	200 hour/1 year Service Kit (includes dust seals, foam rings, o-ring seals, Charger sealhead, SA sealhead) - Lyrik/Pike 29+ Solo Air A1
1	11.4018.006.240	Lower Leg Lyrik B1/Yari 27.5 Maxle 15 Disc Black (decals not included)
1	11.4018.006.241	Lower Leg Lyrik B1/Yari 27.5 Maxle 15 Disc White (decals not included)
1	11.4018.006.242	Lower Leg Lyrik B1/Yari 27.5 Maxle 15 Disc Diffusion Black (decals not included)
1	11.4018.006.243	Lower Leg Lyrik B1/Yari 29 Maxle 15 Disc Black (decals not included)
1	11.4018.006.244	Lower Leg Lyrik B1/Yari 29 Maxle 15 Disc White (decals not included)
1	11.4018.006.245	Lower Leg Lyrik B1/Yari 29 Maxle 15 Disc Diffusion Black (decals not included)
1	11.4018.006.246	Lower Leg Lyrik B1/Yari 27.5 Boost Compatible 15X110 Disc Black (decals not included)
1	11.4018.006.247	Lower Leg Lyrik B1/Yari 27.5 Boost Compatible 15X110 Disc White (decals not included)
1	11.4018.006.248	Lower Leg Lyrik B1/Yari 27.5 Boost Compatible 15X110 Disc Diffusion Black (decals not included)
2	11.4015.534.010	Hydraulic Hose Clamp, Lower Leg
3	11.4018.008.438	CSU Lyrik B1/Yari Solo Air 27.5 42 Off-Set Aluminum Taper Black (no gradients)
3	11.4018.008.439	CSU Lyrik B1/Yari Solo Air 27.5 42 Off-Set Aluminum Taper White (no gradients)
3	11.4018.008.440	CSU Lyrik B1/Yari Solo Air 27.5 42 Off-Set Aluminum Taper Diffusion Black (no gradients)
3	11.4018.008.441	CSU Lyrik B1/Yari Dual Position Air 27.5 42 Off-Set Aluminum Taper Black (no gradients)
3	11.4018.008.442	CSU Lyrik B1/Yari Dual Position Air 27.5 42 Off-Set Aluminum Taper White (no gradients)
3	11.4018.008.443	CSU Lyrik B1/Yari Dual Position Air 27.5 42 Off-Set Aluminum Taper Diffusion Black (no gradients)
3	11.4018.008.444	CSU Lyrik B1/Yari Solo Air 29 51 Off-Set Aluminum Taper Black (no gradients)
3	11.4018.008.445	CSU Lyrik B1/Yari Solo Air 29 51 Off-Set Aluminum Taper White (no gradients)
3	11.4018.008.446	CSU Lyrik B1/Yari Solo Air 29 51 Off-Set Aluminum Taper Diffusion Black (no gradients)
3	11.4018.008.447	CSU Lyrik B1/Yari Dual Position Air 29 51 Off-Set Aluminum Taper Black (no gradients)
3	11.4018.008.448	CSU Lyrik B1/Yari Dual Position Air 29 51 Off-Set Aluminum Taper White (no gradients)
3	11.4018.008.449	CSU Lyrik B1/Yari Dual Position Air 29 51 Off-Set Aluminum Taper Diffusion Black (no gradients)
3	11.4018.008.450	CSU Lyrik B1/Yari Solo Air 27.5 Boost Compatible 15X110 42 Off-Set Aluminum Taper Black (no gradients)
3	11.4018.008.451	CSU Lyrik B1/Yari Solo Air 27.5 Boost Compatible 15X110 42 Off-Set Aluminum Taper White (no gradients)
3	11.4018.008.452	CSU Lyrik B1/Yari Solo Air 27.5 Boost Compatible 15X110 42 Off-Set Aluminum Taper Diffusion Black (no gradients)
3	11.4018.008.453	CSU Lyrik B1/Yari Dual Position Air 27.5 Boost Compatible 15X110 42 Off-Set Aluminum Taper Black (no gradients)
3	11.4018.008.454	CSU Lyrik B1/Yari Dual Position Air 27.5 Boost Compatible 15X110 42 Off-Set Aluminum Taper White (no gradients)
3	11.4018.008.455	CSU Lyrik B1/Yari Dual Position Air 27.5 Boost Compatible 15X110 42 Off-Set Aluminum Taper Diffusion Black (no gradients)
3	11.4018.008.456	CSU Lyrik B1/Yari Solo Air 2927+ Boost Compatible 15X110 51Off-Set Aluminum Taper Black (no gradients) - Lyrik B1/Yari/Pike 29+
3	11.4018.008.457	CSU Lyrik B1/Yari Solo Air 2927+ Boost Compatible 15X110 51Off-Set Aluminum Taper White (no gradients) - Lyrik B1/Yari/Pike 29+
3	11.4018.008.458	CSU Lyrik B1/Yari Solo Air 2927+ Boost Compatible 15X110 51Off-Set Aluminum Taper Diffusion Black (no gradients) - Lyrik B1/Yari/Pike 29+
3	11.4018.008.459	CSU Lyrik B1/Yari Dual Position Air 2927+ Boost Compatible 15X110 51 Off-Set Aluminum Taper Black (no gradients) - Lyrik B1/Yari/Pike 29+
3	11.4018.008.460	CSU Lyrik B1/Yari Dual Position Air 2927+ Boost Compatible 15X110 51 Off-Set Aluminum Taper White (no gradients) - Lyrik B1/Yari/Pike 29+
3	11.4018.008.461	CSU Lyrik B1/Yari Dual Position Air 2927+ Boost Compatible 15X110 51 Off-Set Aluminum Taper Diffusion Black (no gradients) - Lyrik B1/Yari/Pike 29+
4	11.4018.028.013	Dust Seal/Foam Ring Black 35mm SKF Seal, 6mm Foam Ring - PIKE/Lyrik B1/Yari/BoXXer/Domain Dual Crown
5	11.4015.403.090	Shaft Fastener Kit Lyrik (Includes shaft bolts and crush washers) B1/Pike 29+
6	11.4015.404.020	Rebound Adjuster Knob/Bolt Kit - Lyrik B1/PIKE
7a	11.4015.547.080	Knob Kit, Compression Damper, RC - Lyrik B1/PIKE
7b	11.4015.547.090	Knob Kit, Compression Damper, RCT3 - Lyrik B1/PIKE
8	11.4018.030.000	Compression Piston Assembly - Lyrik B1/PIKE RCT3
9	11.4018.030.001	Compression Piston Assembly - Lyrik B1/PIKE RC
10a	11.4018.009.077	Damper Internals Right Charger Pike 29+/Lyrik RC 27.5/29/27.5 Boost Compatible 15X110/2927+ Boost Compatible 15x110 Crown Adjust B1
10b	11.4018.009.078	Damper Internals Right Charger Pike 29+/Lyrik RCT3 27.5/29/27.5 Boost Compatible 15X110/2927+ Boost Compatible 15x110 Adjust B1
11a	11.4018.025.017	Rebound Damper and Seal Head Assembly/Shaft Bolt- Lyrik RC B1
11a	11.4018.028.018	Rebound Damper and Seal Head Assembly/Shaft Bolt- Lyrik RCT3B1
12	11.4015.353.030	Seal Head Assembly (Rebound Damper, Charger) 35mm - PIKE/Lyrik B1
13	11.4018.031.020	Charger Bladder Assembly - Lyrik B1/Pike 29+
14a	11.4018.012.010	Air Top Cap, Solo Air 35mm PIKE 27.5 Boost Compatible 15X110/2927+ Boost Compatible 15X110, Lyrik B1/Yari 27/27.5 Boost Compatible 15x110/29/2927+ Boost Compatible 15x110
14b	11.4015.552.011	Adjuster Knob Aluminum, Dual Position Air - (Dual Wing Adjuster Knob) Revelation New A1-A4/PIKE/Lyrik B1/Yari
15	11.4018.010.194	Spring Internals Left Solo Air - 150 (includes air top cap, solo air spring and shaft bolt) Lyrik B1/Yari A1/Pike 29+
15	11.4018.010.195	Spring Internals Left Solo Air - 160 (includes air top cap, solo air spring and shaft bolt) Lyrik B1/Yari A1/Pike 29+
15	11.4018.010.196	Spring Internals Left Solo Air - 170 (includes air top cap, solo air spring and shaft bolt) Lyrik B1/Yari A1
15	11.4018.010.197	Spring Internals Left Solo Air - 180 (includes air top cap, solo air spring and shaft bolt) Lyrik B1/Yari A1
16	11.4018.010.198	Spring Internals Left Dual Position Air - 150 (includes air top cap, DP air spring, shaft bolt) Lyrik B1/Yari A1/Pike 29+
16	11.4018.010.199	Spring Internals Left Dual Position Air - 160 (includes air top cap, DP air spring, shaft bolt) Lyrik B1/Yari A1/Pike 29+
16	11.4018.010.200	Spring Internals Left Dual Position Air - 170 (includes air top cap, DP air spring and shaft bolt) Lyrik B1/Yari 27.5/27.5 Boost Compatible 15X110
16	11.4018.010.201	Spring Internals Left Dual Position Air - 180 (includes air top cap, DP air spring and shaft bolt) Lyrik B1/Yari 27.5/27.5 Boost Compatible 15X110
17	11.4018.026.001	Air Shaft Solo Air - PIKE (160mm 27.5/140mm 29/150mm 29+), Lyrik/Yari (150mm)
17	11.4018.026.004	Air Shaft Solo Air - PIKE (150mm 29/160mm 29+), Lyrik/Yari (160mm)
17	11.4018.026.002	Air Shaft Solo Air - PIKE (160mm 29), Lyrik/Yari (170mm 27.5only)
18	11.4018.026.005	Air Shaft Dual Position Air - PIKE (160mm 26/150mm 27.5), Lyrik/Yari/Pike 29+ (150mm)
18	11.4018.026.006	Air Shaft Dual Position Air - PIKE (160mm 27.5), Lyrik/Yari/Pike 29+(160mm)
18	11.4018.026.009	Air Shaft Dual Position Air - PIKE (150mm 29), Lyrik/Yari (170mm 27.5 only)
18	11.4018.026.007	Air Shaft Dual Position Air - PIKE (160mm 29), Lyrik/Yari (180mm 27.5 only)
18	11.4018.026.020	Air Shaft Solo Air - Lyrik B1/Yari (180mm 27.5 only)
19	11.4018.032.000	Bottomless Tokens Qty 3 PIKE/BoXXer B1/Lyrik B1/Yari
19	11.4018.032.001	Bottomless Tokens Qty 10 PIKE/BoXXer B1/Lyrik B1/Yari
20	11.4018.032.004	Bottomless Tokens Dual Position Air Qty 3 PIKE/Lyrik B1/Yari
20	11.4018.032.005	Bottomless Tokens Dual Position Air Qty 10 PIKE/Lyrik B1/Yari
21	11.4018.037.001	Seal head Assembly Solo Air - Lyrik B1/Yari/Pike 29+
22	11.4015.505.030	Dual Position Air - Sealhead Assembly - Lyrik B1/Yari/Pike 29+
23	00.4318.005.001	Axle Maxle Ultimate Front MTB, 15x100, Length 148mm, ThreadLength 9mm, Thread Pitch M15x1.50 - PIKE, RS1, Lyrik B1, Yari
23	00.4318.005.007	Axle Maxle Ultimate Front MTB, 15x110, Length 158mm, ThreadLength 9mm, Thread Pitch M15x1.50 - PIKE, Lyrik B1, Yari Boost Compatible
24	11.4318.004.000	Maxle Ultimate Lever Assembly B1
25	11.4308.327.002	Schrader Valve Core Qty 2
26	11.4018.063.000	Damper Tube Charger Damper (new version with turned indicator mark)
27	11.4015.558.020	Retaining Ring, Upper Tube, 35mm - Qty 2



No.	Part Number	Description
bulk	11.4015.259.000	Crush Washer 8mm, Qty 50
bulk	11.4018.028.014	Dust Seal 35mm SKF Black Qty 20 - PIKE/Lyrik B1/Yari/BoXXer/Domain Dual Crown
bulk	11.4018.028.005	Foam Ring 35mm x 6mm Qty 20 - PIKE/Lyrik B1/Yari/BoXXer/Domain Dual Crown
ns	11.4318.003.459	Decal Kit Lyrik 27/27 Boost Compatible 15x110/29/2927+ BoostCompatible 15x110 White/Black Lower Leg B1
ns	11.4318.003.460	Decal Kit Lyrik 27/27 Boost Compatible 15x110/29/2927+ BoostCompatible 15x110 Black/White Lower Leg B1
ns	11.4318.003.461	Decal Kit Lyrik 27/27 Boost Compatible 15x110/29/2927+ BoostCompatible 15x110 White/Diffusion Black Lower Leg B1
ns	11.4309.073.000	Kit Disk Brake Cable Accessory
ns	00.4315.023.010	High-Pressure Fork/Shock Pump (300 psi Max) RockShox
ns	00.4315.023.040	High-Pressure Fork/Shock Pump (300 psi Max) RockShox DigitalGauge
ns	00.4315.022.010	Schrader Valve Removal Tool Rockshox
ns	00.4318.008.000	Grease SRAM Butter 20ml Syringe, Friction Reducing Grease bySlickoleum - Recommended for X0/Rise XX/Roam 40, 30/Rail 40/Rise 60 B1/ Hub Pawls, RockShox Forks and Reverb Service
ns	00.4318.008.001	Grease SRAM Butter 1oz Container, Friction Reducing Grease by Slickoleum - Recommended for X0/Rise XX/Roam 40, 30/Rail 40/Rise 60 B1/ Hub Pawls, RockShox Forks and Reverb Service
ns	11.4315.021.080	RockShox Suspension Oil, 0W-30, 120ml Bottle - Pike/Lyrik B1/Yari Lower Legs
ns	11.4015.354.050	RockShox Suspension Oil, 0-W30, 1 Liter Bottle - Pike/LyrikB1/Yari Lower Legs
ns	11.4315.021.050	RockShox Suspension Oil, 3wt 120ml Bottle - Rear Shock Damper/Charger Damper
ns	11.4315.004.020	RockShox Suspension Oil, 3wt 16oz Bottle - Rear Shock Damper/Charger Damper
ns	11.4318.010.000	Bleed fitting Charger Damper (fits basic Rockshox Bleed Kit,3mm ID)
ns	00.4318.007.000	RockShox Charger Damper Standard Bleed Kit (includes 1 Syringe, Charger Bleed fitting, Suspension Oil 3w)

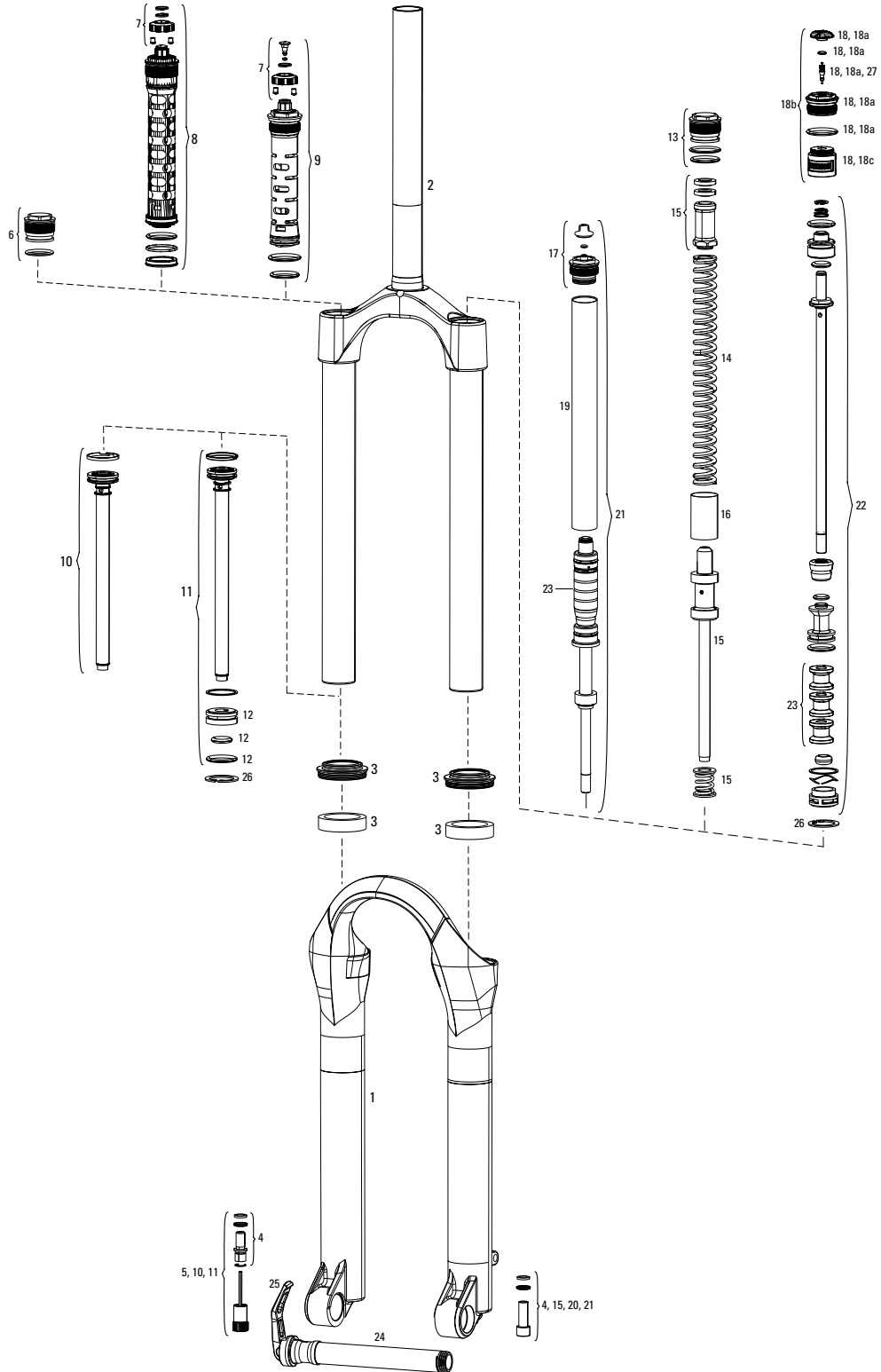


Note:

1. Full service kits include replaceable o-rings, glide rings, retaining rings, crush washers, crush washer retainers and shaft bolts/nuts. All air service kits include replacement schrader valve cores. Not all parts service parts are pictured. All basic service kits include the following replaceable wear items: o-rings, glide rings, dust seals, and foam rings.
2. Use Totem Speed Lube kit to replace lower leg bushing fluid.
3. 2-Step Air replacement parts are no longer available. Replace system with Dual Position Air if parts are needed.
4. Aftermarket forks with Medium spring installed. Soft and Firm tuning springs are included in fork box.



No.	Part Number	Description
1	11.4018.006.040	Lower Leg, Black/Silver - Totem
1	11.4018.006.041	Lower Leg, White/Silver - Totem
2a	11.4015.426.010	CSU, Coil/Solo Air/2-Step Air, Dual Position Air Black Crown, AL Steerer 1 1/8" - 2010-2013 Totem
2a	11.4015.426.020	CSU, Coil/Solo Air/2-Step Air, Dual Position Air White Crown, AL Steerer 1 1/8" - 2010-2013 Totem
2a	11.4018.008.188	CSU Totem 11/8 Aluminum Diffusion Black
2b	11.4015.426.050	CSU, Coil/Solo Air/2-Step Air, Dual Position Air Black Crown, AL Steerer Tapered - 2010-2013 Totem
2b	11.4015.426.060	CSU, Coil/Solo Air/2-Step Air, Dual Position Air White Crown, AL Steerer Tapered - 2010-2013 Totem
2b	11.4018.008.186	CSU Totem Taper Aluminum Diffusion Black
2c	11.4015.426.030	CSU, Coil/Solo Air/2-Step Air, Dual Position Air Black Crown, AL Steerer 1.5" - 2010-2013 Totem
2c	11.4015.426.040	CSU, Coil/Solo Air/2-Step Air, Dual Position Air White Crown, AL Steerer 1.5" - 2010-2013 Totem
2c	11.4018.008.187	CSU Totem 1.5 Aluminum Diffusion Black
3	11.4015.346.000	Totem Dust/Oil Seal Kit - NEW
5	11.4015.130.000	Totem Bottom Out Bumper Kit
6	11.4015.403.030	Shaft Fastener Kit (Alum) - 2012 Lyrik/Totem (shaft bolts and air shaft nut) (compatible with all Lyrik models and years)
7	11.4015.074.000	Domain/Lyrik/Totem/10-14 Boxxer RC - External Rebound Adjuster Knob & Shaft Bolt Kit
8	11.4015.367.000	Adjuster Knob, Motion Control IS Compression Damper (2010-2016 BoXXer, Domain, Lyrik, Totem)
9	11.4015.547.060	Knob Kit, Compression Damper, Mission Control - Lyrik/TotemA1-A3 (2012-2015)
10	11.4015.547.070	Knob Kit, Compression Damper, Mission Control DH - Lyrik/Totem A1-A3 (2012-2015)
11	11.4015.544.180	Compression Damper, Mission Control DH (no Floodgate) - 2012Totem (includes comp knobs, compatible with all Totem models and years)
12	11.4015.544.190	Compression Damper, Motion Control IS - 2012 Totem (includescomp knobs, compatible with all Totem models and years)
13	11.4015.427.010	Damper Tube, Motion Control IS - 2010-2013 Totem (not compatible with 07-09 rebound Damper)
14	11.4015.427.020	Damper Tube, Mission Control, Mission Control DH - 2010-2013Totem (not compatible with 07-09 rebound Damper)
15	11.4015.416.010	Rebound Damper, Motion Control IS - Lyrik/2010-2012 Totem (compatible with all Lyrik models and years) (includes reboundadjuster knob)
16	11.4015.416.030	Rebound Damper (Aluminum Shaft), Mission Control, Mission Control DH - 2010-2012 Totem (not compatible with 07-09 Dampertube) (includes rebound adjuster knob)
17	11.4015.139.000	Totem Coil Top Cap
18	11.4015.132.000	Totem Coil PreLoad Spacers
19	11.4015.138.000	Totem Coil Spring XSoft Silver
19	11.4015.136.000	Totem Coil Spring Soft Yellow
19	11.4015.135.000	Totem Coil Spring Medium Red
19	11.4015.134.000	Totem Coil Spring Firm Blue
19	11.4015.137.000	Totem Coil Spring XFirm Black
20	11.4015.133.000	Totem Coil Spring Shaft Assy
21	11.4015.160.000	Totem Coil Top Out Spring Assy
ns	00.4315.032.120	AM Fork Service Kit, Basic (includes dust seals, foam rings,o-ring seals) - Totem Coil (2012-2014)
23	11.4015.156.000	Totem Solo Air Top Cap Assy
24	11.4018.010.085	Spring Internals Left Solo Air Totem 180 (includesair top cap, solo air spring and shaft bolt) 2007-2014
25	11.4018.013.005	Base Plate (Solo Air) Totem - 180mm 2007-2013
26	11.4018.013.006	Base Plate (Dual Position Air) Totem - 180mm 2007-2013
27	11.4018.010.086	Spring Internals Left Dual Position Air Totem 180 (includesair top cap, adjuster knob, Dual Spring Assembly and shaft bolt) 2007-2014
28	00.4315.013.030	Axle Maxle Lite Front MTB 20x110 Length 165mm Thread Length9mm Thread Pitch M20x2.0 - 35mm/40mm Chassis (2011-2016)
29	11.4311.722.020	Lever/Wedge Kit, Maxle Lite 20mm (32mm/35mm/40mm) 2011
30	11.4015.558.030	Retaining Ring, Upper Tube, 40mm - Qty 2
31	11.4308.327.002	Schrader Valve Core Qty 2
32	11.4015.419.040	Service Kit, Solo Air - 2010-2013 Totem (includes both 2010-2011 and 2012-2013 air spring service parts)
ns	00.4315.032.130	AM Fork Service Kit, Basic (includes dust seals, foam rings,o-ring seals) - Totem Solo Air (2012-2014)
ns	00.4315.032.140	AM Fork Service Kit, Basic (includes dust seals, foam rings,o-ring seals) - Totem Dual Position Air (2012-2014)
ns	11.4015.465.020	Service Kit, 2-Step Air - Totem NEW 2010-2011 (includes updated air piston, new piston coil spring, floating piston assy, seal head assy)
ns	11.4015.431.000	Service Kit, Damper - 2010-2013 Totem
bulk	11.4015.259.000	Crush Washer 8mm, Qty 50
bulk	11.4015.260.000	Crush Washer Retainer, Qty 50
bulk	11.4015.345.000	Dust Seal 40mm - Totem Qty 20
bulk	11.4015.152.000	Oil Seal 40mm - Totem Qty 20
ns	11.4309.073.000	Kit Disk Brake Cable Accessory
ns	11.4315.011.010	ROCKSHOX Bleed Kit (Totem) Qty 1
ns	11.4015.554.020	2013 Totem/Domain Sticker Pack
ns	00.4315.023.010	High-Pressure Fork/Shock Pump (300 psi Max) RockShox
ns	00.4315.023.040	High-Pressure Fork/Shock Pump (300 psi Max) RockShox DigitalGauge
ns	00.4315.022.010	Schrader Valve Removal Tool Rockshox
ns	11.4315.021.020	RockShox Suspension Oil, 5wt, 120ml Bottle - Fork Damper
ns	11.4015.354.010	RockShox Suspension Oil, 5wt, 1 Liter Bottle - Fork Damper
ns	11.4315.021.040	RockShox Suspension Oil, 15wt, 120ml Bottle - Lower Legs
ns	11.4015.354.030	RockShox Suspension Oil, 15wt, 1 Liter Bottle - Lower Legs
ns	00.4318.008.000	Grease SRAM Butter 20ml Syringe, Friction Reducing Grease bySlickoleum - Recommended for X0/Rise XX/Roam 40, 30/Rail 40/Rise 60 B1/ Hub Pawls, RockShox Forks and Reverb Service
ns	00.4318.008.001	Grease SRAM Butter 1oz Container, Friction Reducing Grease by Slickoleum - Recommended for X0/Rise XX/Roam 40, 30/Rail 40/Rise 60 B1/ Hub Pawls, RockShox Forks and Reverb Service



Note:

1. Full service kits include replaceable o-rings, glide rings, retaining rings, crush washers, crush washer retainers and shaft bolts/nuts. All air service kits include replacement schrader valve cores. Not all service parts are pictured. All basic service kits include the following replaceable wear items: o-rings, glide rings, dust seals, and foam rings..

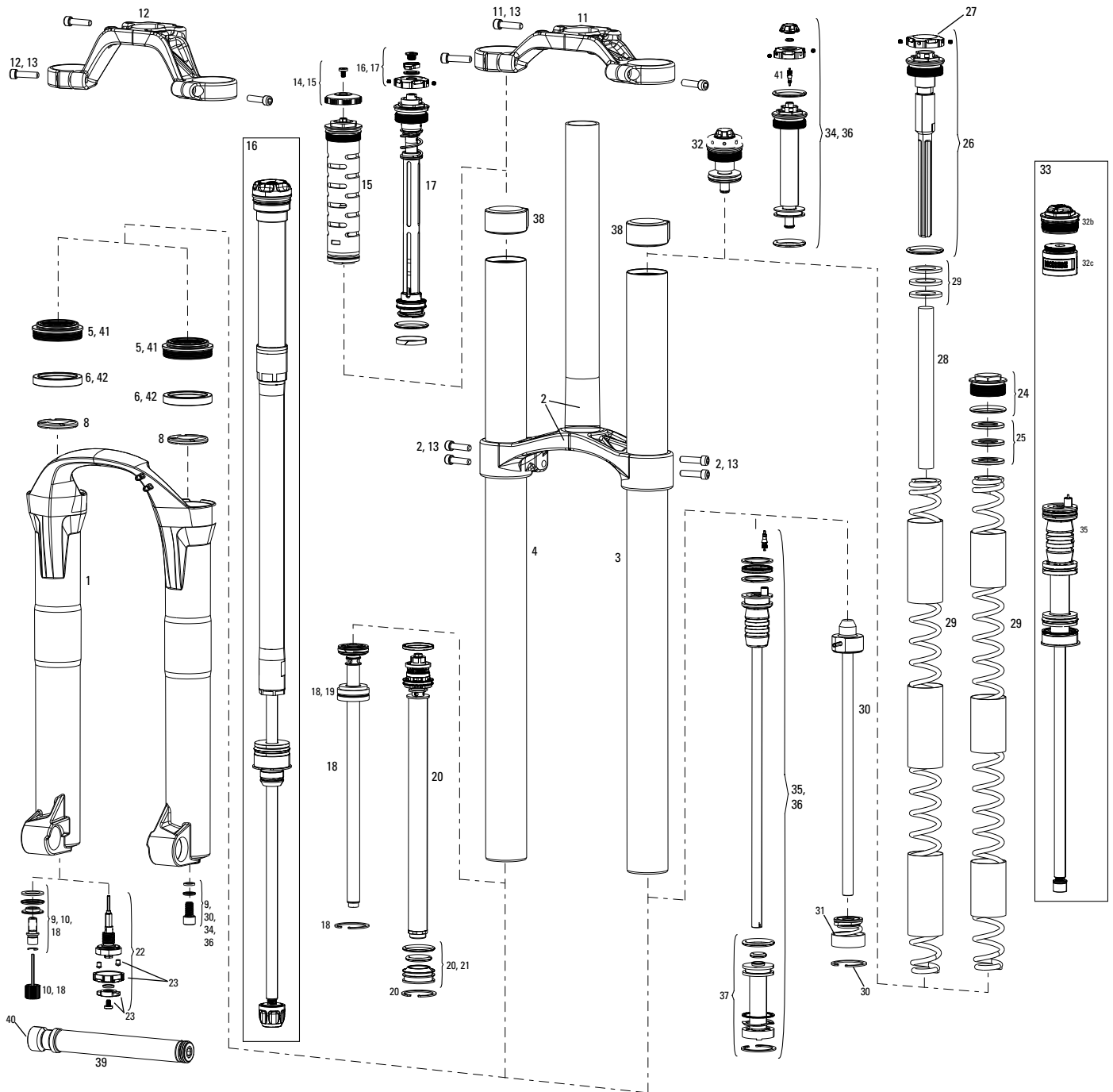
2. Please note top cap, compression damper and air spring kit requirements for steel and aluminum upper tubes.

ARGYLE (A1-A2/2007-2017)



No.	Part Number	Description
1	11.4115.002.000	Argyle R/RC Lower Leg White
1	11.4015.215.000	Argyle R/RC Lower Leg Black
1	11.4018.006.114	Lower Leg Argyle R/RC Diffusion Black (Use with Steel Upper Tubes Only)
1	11.4018.006.116	Lower Leg Argyle RCT White (Use with Aluminum Upper Tubes Only)
1	11.4018.006.117	Lower Leg Argyle RCT Black (Use with Aluminum Upper Tubes Only)
1	11.4018.006.118	Lower Leg Argyle RCT Diffusion Black (Use with Aluminum Upper Tubes Only)
1	11.4018.006.119	Lower Leg Argyle RCT Toxic Moss Green (Use with Aluminum Upper Tubes Only)
1	11.4018.006.229	Lower Leg Argyle R/RC Pretty In Pink (Use with Steel Upper Tubes Only)
1	11.4018.006.230	Lower Leg Argyle RCT Pretty In Pink (Use with Aluminum Upper Tubes Only)
2	11.4018.008.189	CSU Argyle Coil Black Silver Steel Upper Tubes 11/8 Aluminum Black Crown
2	11.4018.008.190	CSU Argyle Coil Black Silver Steel Upper Tubes 11/8 Aluminum Diffusion Black Crown
2	11.4018.008.191	CSU Argyle Coil Black Silver Steel Upper Tubes 11/8 Aluminum White Crown
2	11.4018.008.192	CSU Argyle Coil Black Silver Steel Upper Tubes 11/8 Aluminum Toxic Moss Green Crown
2	11.4018.008.193	CSU Argyle Solo Air Aluminum Upper Tubes 11/8 Aluminum Black Crown
2	11.4018.008.194	CSU Argyle Solo Air Aluminum Upper Tubes 11/8 Aluminum Diffusion Black Crown
2	11.4018.008.195	CSU Argyle Solo Air Aluminum Upper Tubes 11/8 Aluminum White Crown
2	11.4018.008.196	CSU Argyle Solo Air Aluminum Upper Tubes 11/8 Aluminum Toxic Moss Green Crown
2	11.4018.008.356	CSU Argyle Coil Black Silver Steel Upper Tubes 11/8 Aluminum Pretty In Pink Crown
2	11.4018.008.357	CSU Argyle Solo Air Aluminum Upper Tubes 11/8 Aluminum Pretty In Pink Crown
3	11.4310.290.000	Dust Seal/Foam Ring Grey 32mm Seal, 10mm Foam Ring-Revelation/Argyle/Sektor/Tora/Recon/XC32
4	11.4310.465.000	Fork Shaft Bolt Kit
5	11.4015.404.010	Rebound Adjuster Knob/Bolt Kit, Aluminum Red Long (use with Maxle lower leg)
6	11.4015.025.000	Argyle Rebound Top Cap
7	11.4015.024.000	Argyle Motion Control Adjuster Dial Detent Adjust
8	11.4015.017.000	Compression Damper Moco Internal Adjust Gate - Argyle (steel upper tubes only)
9	11.4015.507.010	Compression Damper Motion Control Internal Gate Adjust - 2011 Argyle RCT (aluminum upper tubes only)
10	11.4015.257.000	Rebound Damper Assy - Argyle (steel upper tubes only)
11	11.4311.116.000	Rebound Damper & Seal Head 140mm - 2005-2010 Pike/2005-2008 Reba 29er/2009 Revelation/2010 Recon 327/335/351/2011 Argyle RCT
12	11.4015.353.010	Seal Head Assembly (Rebound Damper, Motion Control) 32mm - SIDA 2009-2014, SIDA 2011-2013, Reba 2009-present, Revelation 2009-2013, Bluto RL 2015-present
13	11.4015.030.000	Argyle Spring Top Cap qty 1 (steel upper tubes only)
14	11.4015.015.000	Argyle Coil Spring Soft Yellow
14	11.4115.001.000	Argyle Coil Spring Medium Red
14	11.4115.000.000	Argyle Coil Spring Firm Blue
14	11.4015.016.000	Argyle Coil Spring X-Firm Black (standard)
14	11.4018.002.001	Argyle Coil Spring XXX-Firm Pink
15	11.4015.029.000	Argyle Spring Spacer/Shaft Assy 100mm
16	11.4309.336.000	Coil Spring Isolator Kit Qty 3
17	11.4015.124.000	Tora/Recon Silver/Argyle Solo Air Top Cap Assy (steel upper tubes)
18	11.4018.012.000	Air Top Cap, XC32/Recon Silver Black (32mm steel upper tubes only)
18	11.4018.012.001	Air Top Cap, Recon Gold/Sektor Black (32mm aluminum upper tubes only)
18a	11.4018.012.006	Air Top Cap, Reba/SID/Revelation/RS1/Bluto/Argyle RCT Black (32mm aluminum upper tubes only, Bottomless Token compatible)
18b	11.4018.032.002	Bottomless Tokens/Air Cap Kit 32mm (includes 5 tokens/32mm internally threaded air cap) - Reba/SID/Revelation/RS1/Bluto/Argyle RCT Solo Air
18c	11.4018.032.003	Bottomless Tokens Qty 5 32mm SID/Reba/Revelation/RS1/Bluto/Argyle RCT Solo Air
19	11.4015.028.000	Argyle Solo Air Tube (use with steel upper tubes only)
21	11.4015.027.000	Solo Air Spring Assy (80mm/100mm/120mm) - 2010 Tora XC/SL, 2011 Recon Silver, Argyle (use with steel upper tubes only)
22	11.4015.468.010	Solo Air Spring Assy (80/100/140mm) - 2011-2012 Argyle RCT (use with alum upper tubes only)
23	11.4015.450.000	All-Travel Spacer Kit (not compatible with SID/Reba/Revelation Solo Air Spring)
ns	11.4015.026.000	Service Kit - 2007-2010 Argyle (solo air and coil), 2011 Argyle (coil) - (steel upper tubes only)
ns	11.4015.502.000	Service Kit - Sektor/Argyle RCT
ns	00.4315.032.200	AM Fork Service Kit, Basic (includes dust seals, foam rings, o-ring seals) - Argyle Coil (2012-2016)
ns	00.4315.032.210	AM Fork Service Kit, Basic (includes dust seals, foam rings, o-ring seals) - Argyle Solo Air (2012-2016)
24	00.4315.013.010	Axle Maxle Lite Front MTB 20x110 Length 158mm Thread Length 9mm Thread Pitch M20x2.0 - 32mm Chassis (2011-2016)
25	11.4311.722.020	Lever/Wedge Kit, Maxle Lite 20mm (32mm/35mm/40mm) 2011
26	11.4015.558.010	Retaining Ring, Upper Tube, 32mm - Qty 2
27	11.4308.327.002	Schrader Valve Core Qty 2
bulk	11.4015.259.000	Crush Washer 8mm, Qty 50
bulk	11.4015.260.000	Crush Washer Retainer, Qty 50
bulk	11.4310.695.000	Dust Seal 32mm Grey - SID/Revelation/Reba/Argyle/Sektor/Tora/Recon/XC32 QTY 20
bulk	11.4018.028.003	Dust Seal 32mm Black - SID/Reba/Revelation A3 Qty 20 (flanged)
bulk	11.4310.697.000	Foam Ring 32mm x 3.5mm - SID/Reba/Pike 2005-2006 Qty 20
ns	11.4318.003.166	Decal Kit Argyle RCT Solo Air White Lower Leg
ns	11.4318.003.167	Decal Kit Argyle RCT Solo Air Black Lower Leg
ns	11.4318.003.168	Decal Kit Argyle RCT Solo Air Diffusion Black Lower Leg
ns	11.4318.003.169	Decal Kit Argyle RCT Solo Air Toxic Moss Green
ns	11.4318.003.170	Decal Kit Argyle RC Coil White Lower Leg
ns	11.4318.003.171	Decal Kit Argyle RC Coil Black Lower Leg
ns	11.4318.003.172	Decal Kit Argyle RC Coil Diffusion Black Lower Leg
ns	11.4318.003.173	Decal Kit Argyle RC Coil Toxic Moss Green
ns	11.4318.003.174	Decal Kit Argyle R Solo Air White Lower Leg
ns	11.4318.003.175	Decal Kit Argyle R Solo Air Black Lower Leg
ns	11.4318.003.176	Decal Kit Argyle R Solo Air Diffusion Black Lower Leg
ns	11.4318.003.177	Decal Kit Argyle R Solo Air Toxic Moss Green Lower Leg
ns	11.4318.003.392	Decal Kit Argyle R/RC/RCT Coil/Solo Air Pretty In Pink Lower Leg
ns	11.4309.073.000	Kit Disk Brake Cable Accessory
ns	00.4315.023.010	High-Pressure Fork/Shock Pump (300 psi Max) RockShox
ns	00.4315.023.040	High-Pressure Fork/Shock Pump (300 psi Max) RockShox Digital Gauge
ns	00.4315.022.010	Schrader Valve Removal Tool RockShox
ns	11.4315.021.020	RockShox Suspension Oil, 5wt, 120ml Bottle - Fork Damper
ns	11.4015.354.010	RockShox Suspension Oil, 5wt, 1 Liter Bottle - Fork Damper
ns	11.4315.021.040	RockShox Suspension Oil, 15wt, 120ml Bottle - Lower Legs
ns	11.4015.354.030	RockShox Suspension Oil, 15wt, 1 Liter Bottle - Lower Legs
ns	00.4318.008.000	Grease SRAM Butter 20ml Syringe, Friction Reducing Grease by Slickoleum - Recommended for X0/Rise XX/Road 40, 30/Rail 40/Rise 60 B1/ Hub Pawls, RockShox Forks and Reverb Service
ns	00.4318.008.001	Grease SRAM Butter 1oz Container, Friction Reducing Grease by Slickoleum - Recommended for X0/Rise XX/Road 40, 30/Rail 40/Rise 60 B1/ Hub Pawls, RockShox Forks and Reverb Service

BOXXER 35mm (A1-A2/2010-2014)



Note:

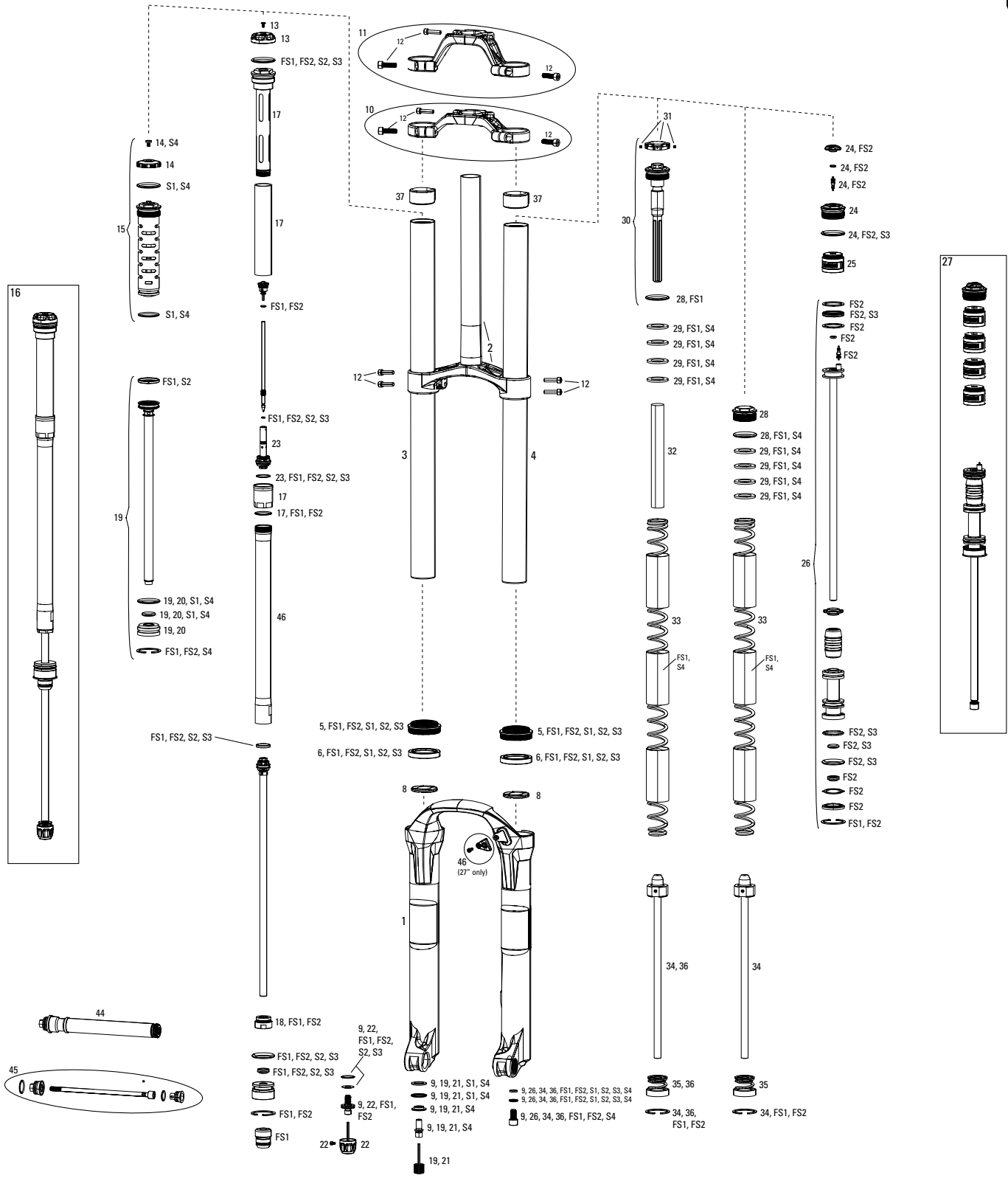
1. Full service kits include replaceable o-rings, glide rings, retaining rings, crush washers, crush washer retainers and shaft bolts/nuts. All air service kits include replacement schrader valve cores. Not all service parts are pictured.
2. 2011-2012 R2C2/World Cup compression and rebound dampers must be used together and cannot be used with either 2010 compression or 2010 rebound damper.
3. World Cup Solo Air Retro kit (2010 to 2011+ air internals) is compatible only with 2010 BoXXer upper tube. 2011+ BoXXer straight-wall upper is only compatible with 2011+ BoXXer Solo Air spring assembly and top cap; must replace Solo Air spring assembly and top cap when using 2011+ BoXXer straight-wall upper tube.
4. When Using Newer Lower Leg on Montion Conrol Fork, remove casting plug.

BOXXER 35mm (A1-A2/2010-2014)



No.	Part Number	Description
1	11.4018.006.030	Lower Leg, Black/Silver - 2011-2014 BoXXer RC
1	11.4018.006.031	Lower Leg, White/Silver - 2011-2014 BoXXer RC
1	11.4018.006.032	Lower Leg, Diffusion Black/Silver - 2011-2014 BoXXer RC
1	11.4018.006.033	Lower Leg, Black/Silver - 2011-2014 BoXXer R2C2
1	11.4018.006.034	Lower Leg, White/Silver - 2011-2014 BoXXer R2C2
1	11.4018.006.035	Lower Leg, Diffusion Black/Silver - 2011-2014 BoXXer R2C2
1	11.4018.006.036	Lower Leg, Black/Silver - 2011-2014 BoXXer World Cup
1	11.4018.006.037	Lower Leg, White/Silver - 2011-2014 BoXXer World Cup
1	11.4018.006.038	Lower Leg, Diffusion Black/Silver - 2011-2014 BoXXer World Cup
2	11.4015.362.010	Lower Crown/Steerer Assembly Black - 2010-2014 Boxxer 35mm
2	11.4015.362.020	Lower Crown/Steerer Assembly White - 2010-2014 Boxxer 35mm
3	11.4015.363.020	Upper Tube Straight-Wall, Left (compatible only with BoxxerSolo Air Spring and Top Cap) - Boxxer 2011-2014
4	11.4015.363.010	Upper Tube Taper-Wall, Right - 2010-2012 Boxxer
4	11.4015.363.030	Upper Tube Taper-Wall, Right - Boxxer 2013-2014
5	11.4015.358.000	Dust Seal Kit, Qty 2 - Domain Dual Crown/Boxxer
6	11.4015.392.000	Pressure Seal Kit, Qty 2 - Domain Dual Crown/BoXXer
8	11.4015.360.000	Lower Leg Bottom-Out Bumper Kit, Qty 2 - Domain Dual Crown/Boxxer
9	11.4015.391.000	Shaft Bolt Kit - Domain Dual Crown/BoXXer 2010-2014
10	11.4015.074.000	Domain/Lyrik/Totem/10-14 Boxxer RC - External Rebound Adjuster Knob & Shaft Bolt Kit
11	11.4015.364.100	Upper Crown, 35mm, Short Black Clear - BoXXer/Domain Dual Crown
11	11.4015.364.110	Upper Crown, 35mm, Short White Clear - BoXXer/Domain Dual Crown
11	11.4015.364.120	Upper Crown, 35mm, Short Diffusion Black Clear - BoXXer/Domain Dual Crown
12	11.4015.364.130	Upper Crown, 35mm, Tall Black Clear - BoXXer/Domain Dual Crown
12	11.4015.364.140	Upper Crown, 35mm, Tall White Clear - BoXXer/Domain Dual Crown
12	11.4015.364.150	Upper Crown, 35mm, Tall Diffusion Black Clear - BoXXer/Domain Dual Crown
13	11.4018.040.000	Bolt Kit BoXXer/Domain DC Upper Crown/Lower Crown A1-B1
14	11.4015.367.000	Adjuster Knob, Motion Control IS Compression Damper (2010-2016 BoXXer, Domain, Lyrik, Totem)
15	11.4015.368.000	Compression Damper, Motion Control IS (includes compressionadjuster knob) - BoXXer Race/RC 2010-2016
16	00.4018.783.000	Damper Upgrade Kit - Charger - Includes Complete Right SideInternals - BoXXer (2010-2016)
18	11.4015.371.000	Rebound Damper and Seal Head Kit (includes shaft bolt and external rebound adjuster knob) - BoXXer Race/RC 2010-2016
19	11.4015.372.000	Rebound Damper Seal Head - BoXXer Race/RC 2010-2015
ns	11.4015.371.010	Rebound Damper and Seal Head Kit - 2010 BoXXer Team/World Cup (does not include shaft bolt and adjuster knobs) Cannot be used with 2011 compression Damper.
21	11.4015.372.010	Rebound Damper Seal Head - BoXXer Team/R2C2/World Cup 2010-2014
16	11.4015.470.010	Adjuster Knob Kit, Compression Damper, Mission Control DH (low speed, high speed, retaining screw) Cannot be used with 2010 compression damper - BoXXer R2C2/WC 2011-2014
17	11.4015.471.010	Compression Damper, Mission Control DH (includes high and low speed adjuster knobs) Cannot be used with 2010 rebound damper - BoXXer R2C2/WorldCup 2011-2014
20	11.4015.516.010	Rebound Damper and Seal Head Kit (does not include shaft bolt and adjuster knobs, cannot be used with 2010 compression damper) -BoXXer R2C2/World Cup 2011-2014
22	11.4015.472.010	Rebound Damper Bottom Bolt/Adjust Knob Assembly (complete bottom bolt assembly with adjuster knobs) - BoXXer Team/R2C2/WC 2010-2014
23	11.4015.473.010	Rebound Damper Adjuster Knob Kit (includes low-speed and hi-speed adjuster knobs) Not compatible with 2010 BoXXer R2C2/WC - BoXXer Team/WC 2011-2014
24	11.4015.375.000	Coil Spring Top Cap, Qty 1 - BoXXer Race 2010-2016
25	11.4015.376.000	Coil Spring Pre-load Spacers, Qty 4 each - BoXXer Race/RC and Team/R2C2 2010-2016
26	11.4015.377.000	Coil Top-Cap/Drop-Stop Assembly (adjuster knob) - BoXXer Team/R2C2 2010-2016
27	11.4015.378.000	Adjuster Knob/Set-Screw, Coil Top-Cap/Drop-Stop - BoXXer Team/R2C2 2010-2016
28	11.4015.379.000	Drop-Stop Bumper, Qty 1 - BoXXer Team/R2C2 2010-2016
29	11.4015.380.000	Coil Spring, X-Soft, Silver - Domain Dual Crown/BoXXer Race/RC/Team/R2C2 2010-2017
29	11.4015.380.010	Coil Spring, Soft, Yellow - Domain Dual Crown/BoXXer Race/RC/Team/R2C2 2010-2017
29	11.4015.380.020	Coil Spring, Medium, Red standard - Domain Dual Crown/BoXXerRace/RC/Team/R2C2 2010-2017
29	11.4015.380.030	Coil Spring, Firm, Blue - Domain Dual Crown-BoxxerRace/RC/Team/R2C2 2010-2017
29	11.4015.380.040	Coil Spring, X-Firm, Black- Domain Dual Crown/BoXXer Race/RC/Team/R2C2 2010-2017
30	11.4015.381.000	Coil Spring Shaft (shaft bolt) - Domain Dual Crown/BoXXer Race/RC/Team/R2C2 2010-2016
31	11.4015.382.000	Coil Top-Out Spring Assembly - BoXXer Race/RC and Team/R2C22010-2016
32	11.4015.383.000	Solo Air Top Cap Assembly - 2010 BoXXer World Cup (cannot be used with 2011 BoXXer WC)
32b	11.4018.012.004	Air Top Cap, Solo Air 35mm PIKE/BOXXER
32c	11.4018.032.001	Bottomless Tokens Qty 3 PIKE/BoXXer B1/Lyrik B1/Yari
32c	11.4018.032.001	Bottomless Tokens Qty 10 PIKE/BoXXer B1/Lyrik B1/Yari
33	00.4018.783.001	Air Spring Upgrade Kit - Solo Air - Includes Refined Solo Air Assembly, 4 Bottomless Tokens - BoXXer (2011-2016, serialnumber later than 16T11XXXXXX)
34	11.4015.474.010	Solo Air Top Cap Assembly (cannot be used with 2010 BoXXer WC) - BoXXer World Cup 2011-2014
35	11.4015.475.020	Solo Air Spring Assembly - 2011-2014 BoXXer World Cup (cannot be used with 2010 BoXXer WC)
35	11.4015.475.030	Solo Air Spring Assembly - BoXXer Solo Air Refined (2011-2016, serial number later than 16T11XXXXXX)
36	11.4015.464.010	Solo Air Spring/Top Cap Retro Kit - 2010 BoXXer World Cup (includes 2011 Solo Air spring Assy, 2010 upper base plate, and 2011 Solo Air Top Cap Assy, required for 2010 BoXXer)
37	11.4018.024.000	Base Plate/Scrapers seal BoXXer Solo Air 2011 thru 2015
38	11.4015.361.000	Upper Tube/Frame Bumper Stop, Qty 2 - Domain Dual Crown/Boxxer 35mm
ns	11.4015.386.000	Service Kit - BoXXer Race/RC 2010-2016
ns	11.4015.387.000	Service Kit - 2010-2014 BoXXer Team
ns	11.4015.388.000	Service Kit - 2010 BoXXer World Cup
ns	11.4015.476.020	Service Kit - 2011-2014 BoXXer R2C2/WC
ns	00.4315.032.150	AM Fork Service Kit, Basic (includes dust seals, foam rings,o-ring seals) - Boxxer RC (2012-2016)
ns	00.4315.032.160	AM Fork Service Kit, Basic (includes dust seals, foam rings,o-ring seals) - Boxxer R2C2 (2012-2014)
ns	00.4315.032.170	AM Fork Service Kit, Basic (includes dust seals, foam rings,o-ring seals) - Boxxer World Cup (2012-2014)
39	00.4315.013.040	Axle Maxle DH Front MTB 20x110 Length 165mm Thread Length 9mm Thread Pitch M20x2.0 - 35mm Chassis
40	11.4015.366.010	Maxle DH, Wedge/Lever/Axle Kit - BoXXer 2010-2016
bulk	11.4015.066.000	Dust Seal 35mm - Domain/Lyrik/Boxxer Qty 20
bulk	11.4015.200.000	Oil Seal 35mm - Lyrik/Domain/Boxxer Qty 20
41	11.4308.327.002	Schrader Valve Core Qty 2
ns	11.4015.455.000	Cir-Clip, Rebound Knob, 2010 BoXXer Team/WC (35mm), Qty 20
ns	11.4309.073.000	Kit Disk Brake Cable Accessory
ns	00.4315.022.010	Schrader Valve Removal Tool Rockshox
ns	00.4315.023.020	Air Pump (high pressure/high volume convertible) RockShox Boxxer
ns	00.4315.023.030	High-Pressure Fork/Shock Pump (600 psi Max) RockShox
ns	11.4315.021.020	RockShox Suspension Oil, 5wt, 120ml Bottle - Fork Damper
ns	11.4015.354.010	RockShox Suspension Oil, 5wt, 1 Liter Bottle - Fork Damper
ns	11.4315.021.040	RockShox Suspension Oil, 15wt, 120ml Bottle - Lower Legs
ns	11.4015.354.030	RockShox Suspension Oil, 15wt, 1 Liter Bottle - Lower Legs
ns	00.4318.008.000	Grease SRAM Butter 20ml Syringe, Friction Reducing Grease bySlickoleum - Recommended for X0/Rise XX/Roam 40, 30/Rail 40/Rise 60 B1/ Hub Pawls, RockShox Forks and Reverb Service
ns	00.4318.008.001	Grease SRAM Butter 1oz Container, Friction Reducing Grease by Slickoleum - Recommended for X0/Rise XX/Roam 40, 30/Rail 40/Rise 60 B1/ Hub Pawls, RockShox Forks and Reverb Service

BOXXER 35mm (B1/2015-2017)



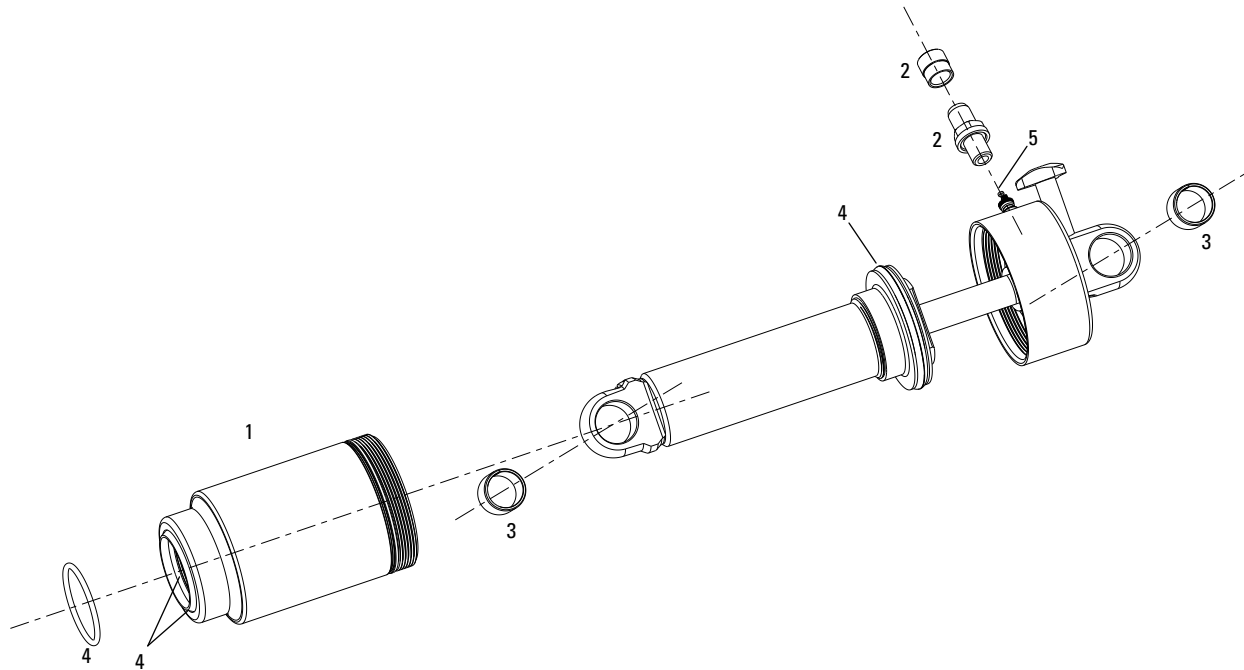
Note:

1. Full service kits include replaceable o-rings, glide rings, retaining rings, crush washers, crush washer retainers and shaft bolts/nuts. All air service kits include replacement schrader valve cores.
2. BoXXer 26" forks have a 160 post mount brake and 27.5" forks have a 200mm post mount brake.
3. For Bottomless Token options, please see the respective page listed in the index.

BOXXER 35mm (B1/2015-2017)



No.	Part Number	Description
1	11.4018.006.217	Lower Leg BoXXer 26 Black (decals not included) 2010-2016
1	11.4018.006.218	Lower Leg BoXXer 26 White (decals not included) 2010-2016
1	11.4018.006.219	Lower Leg BoXXer 26 Diffusion Black (decals not included) 2010-2016
1	11.4018.006.220	Lower Leg BoXXer 27.5 Black (decals not included) 2010-2016
1	11.4018.006.221	Lower Leg BoXXer 27.5 White (decals not included) 2010-2016
1	11.4018.006.222	Lower Leg BoXXer 27.5 Diffusion Black (decals not included) 2010-2016
2	11.4015.362.050	Lower Crown/Steerer Assembly Diffusion Black - Domain Dual Crown/Boxxer
2	11.4015.362.060	Lower Crown/Steerer Assembly White - Domain Dual Crown/Boxxer
2	11.4015.362.070	Lower Crown/Steerer Assembly Black 35mm - Domain Dual Crown/Boxxer
3	11.4015.363.040	Upper Tube, Taperwall, Right, Black - BoXXer (2013-2015)
4	11.4015.363.050	Upper Tube, Straightwall, Left, Black - BoXXer (2013-2015)
5	11.4015.358.000	Dust Seal Kit, Qty 2 - Domain Dual Crown/Boxxer
6	11.4015.392.000	Pressure Seal Kit, Qty 2 - Domain Dual Crown/BoXXer
8	11.4015.360.000	Lower Leg Bottom-Out Bumper Kit, Qty 2 - Domain Dual Crown/Boxxer
9	11.4015.403.070	Shaft Fastener Kit BoXXer RC/Team/WC (Includes shaft bolts and crush washers) B1
10	11.4015.364.100	Upper Crown, 35mm, Short Black Clear - BoXXer/Domain Dual Crown
10	11.4015.364.110	Upper Crown, 35mm, Short White Clear - BoXXer/Domain Dual Crown
10	11.4015.364.120	Upper Crown, 35mm, Short Diffusion Black Clear - BoXXer/Domain Dual Crown
11	11.4015.364.130	Upper Crown, 35mm, Tall Black Clear - BoXXer/Domain Dual Crown
11	11.4015.364.140	Upper Crown, 35mm, Tall White Clear - BoXXer/Domain Dual Crown
11	11.4015.364.150	Upper Crown, 35mm, Tall Diffusion Black Clear - BoXXer/Domain Dual Crown
12	11.4018.040.000	Bolt Kit BoXXer/Domain DC Upper Crown/Lower Crown A1-B1
13	11.4015.547.120	Knob Kit, Compression Damper, MC BoXXer Charger Damper DH
14	11.4015.367.000	Adjuster Knob, Motion Control IS Compression Damper (2010-2016 BoXXer, Domain, Lyrik, Totem)
15	11.4015.368.000	Compression Damper, Motion Control IS (includes compression adjuster knob) - BoXXer Race/RC 2010-2016
16	00.4018.783.000	Damper Upgrade Kit - Charger - Includes Complete Right SidelInternals - BoXXer (2010-2016)
17	11.4018.031.010	Charger Bladder Assembly - BoXXer B1
18	11.4015.353.060	Seal Head Assembly (Rebound Damper, Charger) 35mm - BOXXER B1
19	11.4015.371.000	Rebound Damper and Seal Head Kit (includes shaft bolt and external rebound adjuster knob) - BoXXer Race/RC 2010-2016
20	11.4015.372.000	Rebound Damper Seal Head - BoXXer Race/RC 2010-2015
21	11.4015.404.025	Rebound Adjuster Knob/Bolt Kit - BoXXer RC B1
22	11.4015.404.026	Rebound Adjuster Knob/Bolt Kit - BoXXer Charger Damper B1
23	11.4018.030.002	Compression Piston Assembly - BoXXer Charger Damper B1
24	11.4018.012.004	Air Top Cap, Solo Air 35mm PIKE/BOXXER
25	11.4018.032.000	Bottomless Tokens Qty 3 PIKE/BoXXer B1/Lyrik B1/Yari
25	11.4018.032.001	Bottomless Tokens Qty 10 PIKE/BoXXer B1/Lyrik B1/Yari
26	11.4015.475.030	Solo Air Spring Assembly - BoXXer Solo Air Refined (2011-2016, serial number later than 16T11XXXXXX)
27	00.4018.783.001	Air Spring Upgrade Kit - Solo Air - Includes Refined Solo Air Assembly, 4 Bottomless Tokens - BoXXer (2011-2016, serial number later than 16T11XXXXXX)
28	11.4015.375.000	Coil Spring Top Cap, Qty 1 - BoXXer Race 2010-2016
29	11.4015.376.000	Coil Spring Pre-load Spacers, Qty 4 each - BoXXer Race/RC and Team/R2C2 2010-2016
30	11.4015.377.000	Coil Top-Cap/Drop-Stop Assembly (adjuster knob) - BoXXer Team/R2C2 2010-2016
31	11.4015.378.000	Adjuster Knob/Set-Screw, Coil Top-Cap/Drop-Stop - BoXXer Team/R2C2 2010-2016
32	11.4015.379.000	Drop-Stop Bumper, Qty 1 - BoXXer Team/R2C2 2010-2016
33	11.4015.380.000	Coil Spring, X-Soft, Silver - Domain Dual Crown/BoXXer Race/RC/Team/R2C2 2010-2017
33	11.4015.380.010	Coil Spring, Soft, Yellow - Domain Dual Crown/BoXXer Race/RC/Team/R2C2 2010-2017
33	11.4015.380.020	Coil Spring, Medium, Red standard - Domain Dual Crown/BoXXer Race/RC/Team/R2C2 2010-2017
33	11.4015.380.030	Coil Spring, Firm, Blue - Domain Dual Crown-Boxxer Race/RC/Team/R2C2 2010-2017
33	11.4015.380.040	Coil Spring, X-Firm, Black - Domain Dual Crown/BoXXer Race/RC/Team/R2C2 2010-2017
34	11.4015.381.000	Coil Spring Shaft (shaft bolt) - Domain Dual Crown/BoXXer Race/RC/Team/R2C2 2010-2016
35	11.4015.382.000	Coil Top-Out Spring Assembly - BoXXer Race/RC and Team/R2C2 2010-2016
36	11.4018.058.000	Coil Spring Shaft 180 - BoXXer Race/RC/Team/R2C2 2010-2016
37	11.4015.361.000	Upper Tube/Frame Bumper Stop, Qty 2 - Domain Dual Crown/Boxxer 35mm
FS1	11.4018.055.020	Service Kit Full - BoXXer Team - Charger Damper Upgraded (includes upgraded sealhead) B1
FS2	11.4018.055.030	Service Kit Full - BoXXer World Cup - Charger Damper Upgraded (includes upgraded sealhead) B1
S1	00.4315.032.150	AM Fork Service Kit, Basic (includes dust seals, foam rings, o-ring seals) - Boxxer RC (2012-2016)
S2	00.4315.032.510	AM Fork Service Kit, Basic (includes dust seals, foam rings, o-ring seals) - Boxxer Team Charger Damper
S3	00.4315.032.520	AM Fork Service Kit, Basic (includes dust seals, foam rings, o-ring seals) - Boxxer WC Charger Damper
S4	11.4015.386.000	Service Kit - BoXXer Race/RC 2010-2016
44	00.4315.013.040	Axle Maxle DH Front MTB 20x110 Length 165mm Thread Length 9mm Thread Pitch M20x2.0 - 35mm Chassis
45	11.4015.366.010	Maxle DH, Wedge/Lever/Axle Kit - BoXXer 2010-2016
46	11.4018.063.000	Damper Tube Charger Damper (new version with turned indicator mark)
ns	11.4318.003.386	Decal Kit BoXXer 26/27.5 Black/White Lower Leg B1
ns	11.4318.003.387	Decal Kit BoXXer 26/27.5 White/Black Lower Leg B1
ns	11.4318.003.388	Decal Kit BoXXer 26/27.5 White/Diffusion Black Lower Leg B1
ns	11.4015.066.000	Dust Seal 35mm - Domain/Lyrik/Boxxer Qty 20
ns	11.4015.200.000	Oil Seal 35mm - Lyrik/Domain/Boxxer Qty 20
ns	11.4308.327.002	Schrader Valve Core Qty 2
46	11.4015.534.010	Hydraulic Hose Clamp, Lower Leg
ns	11.4018.059.000	Post Spacer Set for BoXXer 27.5" 200 Post Mount Lower Legs (3S to fit 203 rotor)
ns	00.4315.022.010	Schrader Valve Removal Tool Rockshox
ns	00.4315.023.020	Air Pump (high pressure/high volume convertible) RockShox Boxxer
ns	00.4315.023.030	High-Pressure Fork/Shock Pump (600 psi Max) RockShox
ns	11.4318.010.000	Bleed fitting Charger Damper (fits basic Rockshox Bleed Kit, 3mm ID)
ns	00.4318.007.000	RockShox Charger Damper Standard Bleed Kit (includes 1 Syringe, Charger Bleed fitting, Suspension Oil 3w)
ns	11.4315.021.020	RockShox Suspension Oil, 5wt, 120ml Bottle - Fork Damper
ns	11.4015.354.010	RockShox Suspension Oil, 5wt, 1 Liter Bottle - Fork Damper
ns	11.4315.021.040	RockShox Suspension Oil, 15wt, 120ml Bottle - Lower Legs
ns	11.4015.354.030	RockShox Suspension Oil, 15wt, 1 Liter Bottle - Lower Legs
ns	00.4318.008.000	Grease SRAM Butter 20ml Syringe, Friction Reducing Grease by Slickoleum - Recommended for X0/Rise XX/Roam 40, 30/Rail 40/Rise 60 B1/ Hub Pawls, RockShox Forks and Reverb Service
ns	00.4318.008.001	Grease SRAM Butter 1oz Container, Friction Reducing Grease by Slickoleum - Recommended for X0/Rise XX/Roam 40, 30/Rail 40/Rise 60 B1/ Hub Pawls, RockShox Forks and Reverb Service



Note:
 1. BAR damper assemblies are NOT serviceable. DO NOT attempt to disassemble.
 2. BAR damper assemblies are fuxssembled including eyelet assembly. Installation of air can is all that is required for use. DO NOT attempt to disassemble.
 3. Decals are not included with BAR service kit, and are not available.

No.	Part Number	Description
1	11.4115.011.000	BAR Air Can 165mm
1	11.4115.010.000	BAR Air Can 191/200mm
2	11.4115.005.000	BAR Air Valve Assembly
3	11.4115.004.000	Rear Shock Eyelet Bushings Qty 2 (12mm)
4	11.4115.006.000	BAR Service Kit (air can o-ring, wiper seal, u-cup and glidering)
5	11.4308.327.002	Schrader Valve Core Qty 2
ns	00.4315.022.010	Schrader Valve Removal Tool Rockshox
ns	00.4315.023.010	High-Pressure Fork/Shock Pump (300 psi Max) RockShox
ns	00.4318.008.002	Grease Rockshox Dynamic Seal Grease (PTFE) 1oz - Recommendedfor Service of Rear Shocks

MOUNTING HARDWARE - 12mm x 12mm

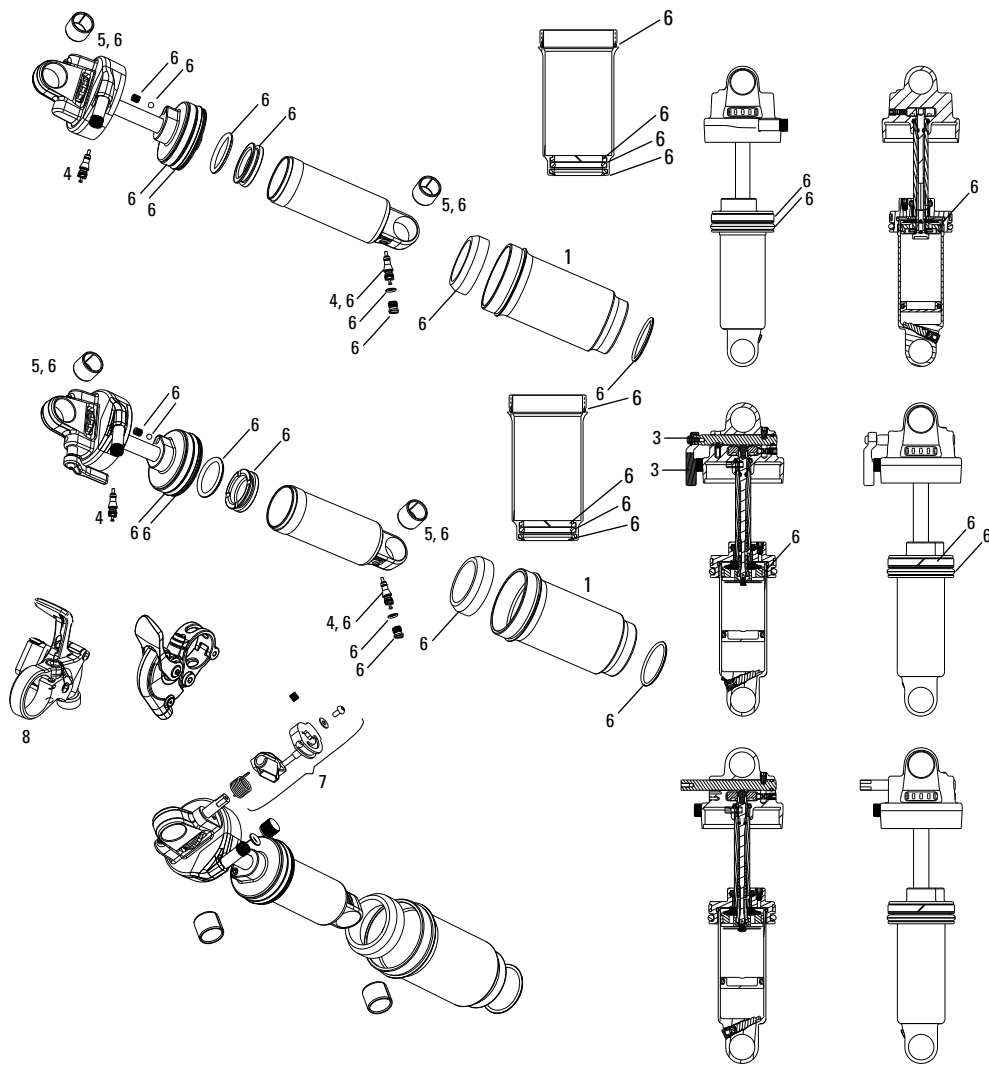


Note:

Use with - BAR, ARIO (2005-2009), MC3, MC3R, PEARL

Part Number	Description
11.4115.004.000	Rear Shock Eyelet Bushings Qty 2 (12mm)
11.4311.646.000	05-07 Rear Shock Mounting Hardware 21.84x6 3-piece (1 set)
11.4311.647.000	05-07 Rear Shock Mounting Hardware 22.2x6 3-piece (1 set)
11.4311.648.000	05-07 Rear Shock Mounting Hardware 22.2x8 3-piece (1 set)
11.4311.649.000	05-07 Rear Shock Mounting Hardware 23.0x8 3-piece (1 set)
11.4311.650.000	05-07 Rear Shock Mounting Hardware 24.0x8 3-piece (1 set)
11.4311.654.000	05-07 Rear Shock Mounting Hardware 25.4x6 3-piece (1 set)
11.4311.655.000	05-07 Rear Shock Mounting Hardware 25.4x8 3-piece (1 set)
11.4311.771.000	05-07 Rear Shock Mounting Hardware 27.4x8 3-piece (1 set)
11.4311.656.000	05-07 Rear Shock Mounting Hardware 28.0x8 3-piece (1 set)
11.4311.657.000	05-07 Rear Shock Mounting Hardware 28.6x6 3-piece (1 set)
11.4311.658.000	05-07 Rear Shock Mounting Hardware 30.0x8 3-piece (1 set)
11.4311.662.000	05-07 Rear Shock Mounting Hardware 33.0x8 3-piece (1 set)
11.4311.663.000	05-07 Rear Shock Mounting Hardware 34.0x6 3-piece (1 set)
11.4311.664.000	05-07 Rear Shock Mounting Hardware 34.0x8 3-piece (1 set)
11.4112.993.000	05-07 Rear Shock Mounting Hardware 35.0x6 3-piece (1 set)
11.4012.738.000	05-07 Rear Shock Mounting Hardware 37.4x8 3-piece (1 set)
11.4309.666.000	05-07 Rear Shock Mounting Hardware 40.0x6 3-piece (1 set)
11.4308.404.000	05-07 Rear Shock Mounting Hardware 40.0x8 3-piece (1 set)
11.4308.409.000	05-07 Rear Shock Mounting Hardware 41.5x8 3-Piece (1 set)
11.4308.398.000	05-07 Rear Shock Mounting Hardware 42.0x8 3-piece (1 set)
11.4308.410.000	05-07 Rear Shock Mounting Hardware 44.0x8 3-piece (1 set)
11.4112.836.000	05-07 Rear Shock Mounting Hardware 44.5x8 3-piece (1 set)
11.4309.669.000	05-07 Rear Shock Mounting Hardware 46.0x8 3-piece (1 set)
11.4308.397.000	05-07 Rear Shock Mounting Hardware 50.0x6 3-piece (1 set)
11.4308.405.000	05-07 Rear Shock Mounting Hardware 50.0x8 3-piece (1 set)
11.4309.671.000	05-07 Rear Shock Mounting Hardware 51.95x8 3-piece (1 set)
11.4309.674.000	05-07 Rear Shock Mounting Hardware 56.0x8 3-piece (1 set)

ARIO (2010-2012)

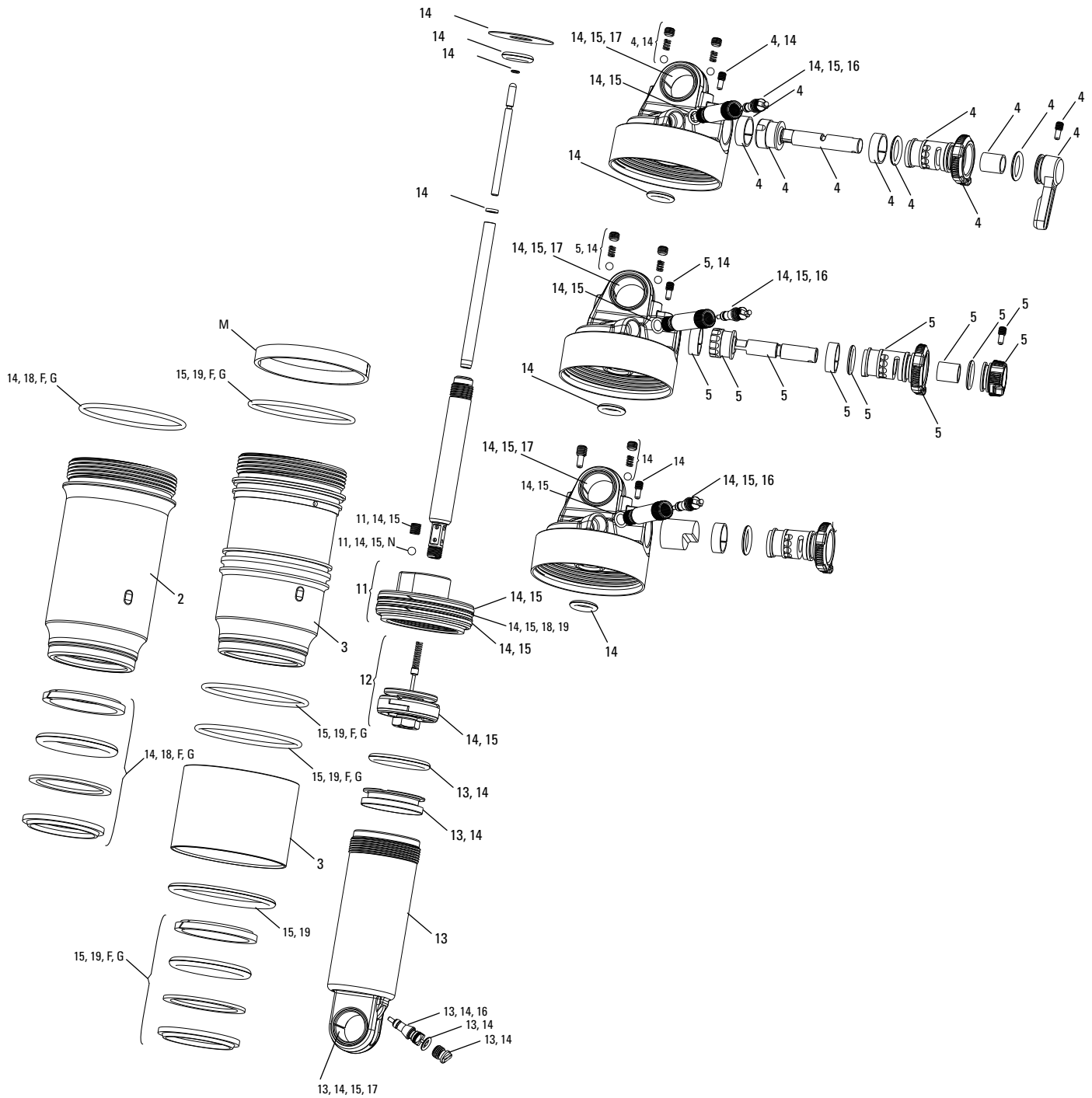


Note:

1. Use '1/2"x1/2" Rear Shock Bushing/Mount Hardware Tool' to remove and install eyelet bushing and mounting hardware.
2. Rebound adjuster is not replaceable.

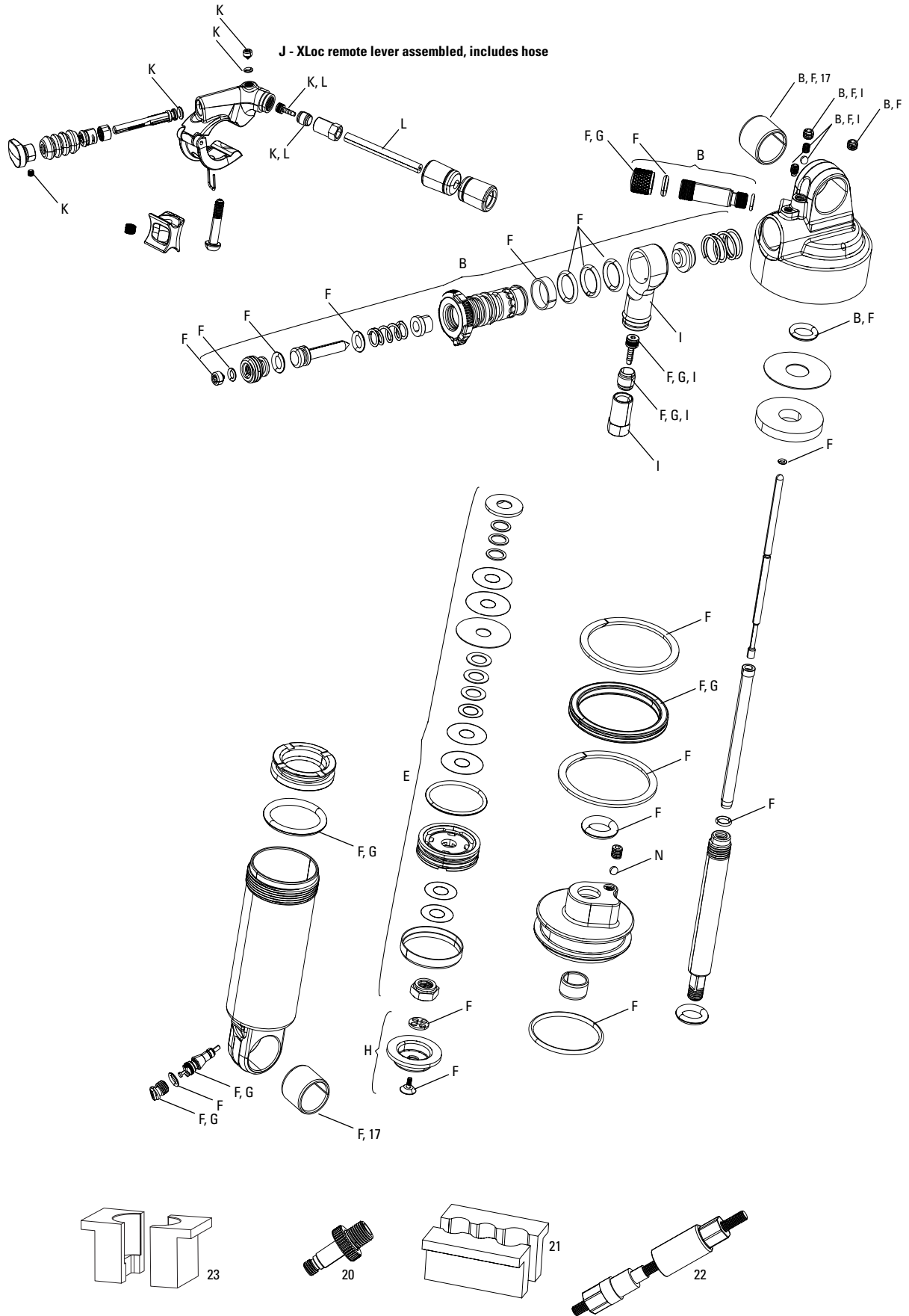
No.	Part Number	Description
1	11.4115.065.020	Air Can, 165mmx38mm - 2010-2012 Ario
1	11.4115.065.030	Air Can, 184mmx44mm - 2010-2012 Ario
1	11.4115.065.040	Air Can, 190mmx51mm / 200mmx51mm - 2010-2012 Ario
1	11.4115.065.050	Air Can, 200mmx57mm - 2010-2012 Ario
1	11.4115.065.060	Air Can, 216mmx63mm - 2010-2012 Ario
1	11.4115.065.070	Air Can, 222mmx66mm - 2010-2012 Ario
3	11.4115.040.000	Compression Lever - Monarch 3.3/4.2, 2010-2012 Ario 3.2
4	11.4308.327.002	Schrader Valve Core Qty 2
5	11.4115.013.000	Rear Shock Eyelet Bushing 1/2"x1/2" Qty 2
6	11.4115.067.000	Service Kit - 2010-2012 Ario
7	11.4115.073.010	Ario 3.R Remote Cam/Bracket Kit (bottom/top pull)
8	11.4311.184.000	PopLoc Lever Rear Right
ns	00.4315.032.260	AM Rear Shock Air Can Service Kit, Basic - Ario/(Monarch 2008-2010)
ns	00.4315.027.010	Air Valve Adapter Tool - RockShox Rear Shocks
ns	00.4315.026.010	1/2"x1/2" Rear Shock Bushing Tool (Eyelet/SealHead) RockShox
ns	00.4315.022.010	Schrader Valve Removal Tool Rockshox
ns	00.4315.023.010	High-Pressure Fork/Shock Pump (300 psi Max) RockShox
ns	00.4315.023.030	High-Pressure Fork/Shock Pump (600 psi Max) RockShox
ns	00.4315.023.040	High-Pressure Fork/Shock Pump (300 psi Max) RockShox DigitalGauge
ns	00.4318.008.002	Grease Rockshox Dynamic Seal Grease (PTFE) 1oz - Recommendedfor Service of Rear Shocks

MONARCH R / RT / RL (2011-2013) / RT3 (2011-2012)



Note:

1. 2011-2012 Monarch parts are not compatible with pre-2011 Monarch rear shocks. 2011-2012 Monarch RT3 parts are not compatible with 2013 Monarch RT3.
2. Use '1/2"x1/2" Rear Shock Bushing/Mount Hardware Tool' to remove and install eyelet bushing and mounting hardware.
3. Air can assemblies are compatible with Monarch R, RL, RT3, and XX; not compatible with 2013 Monarch RT3.



MONARCH R / RT / RL (2011-2013) / RT3 (2011-2012) MONARCH XX (2012-2013)



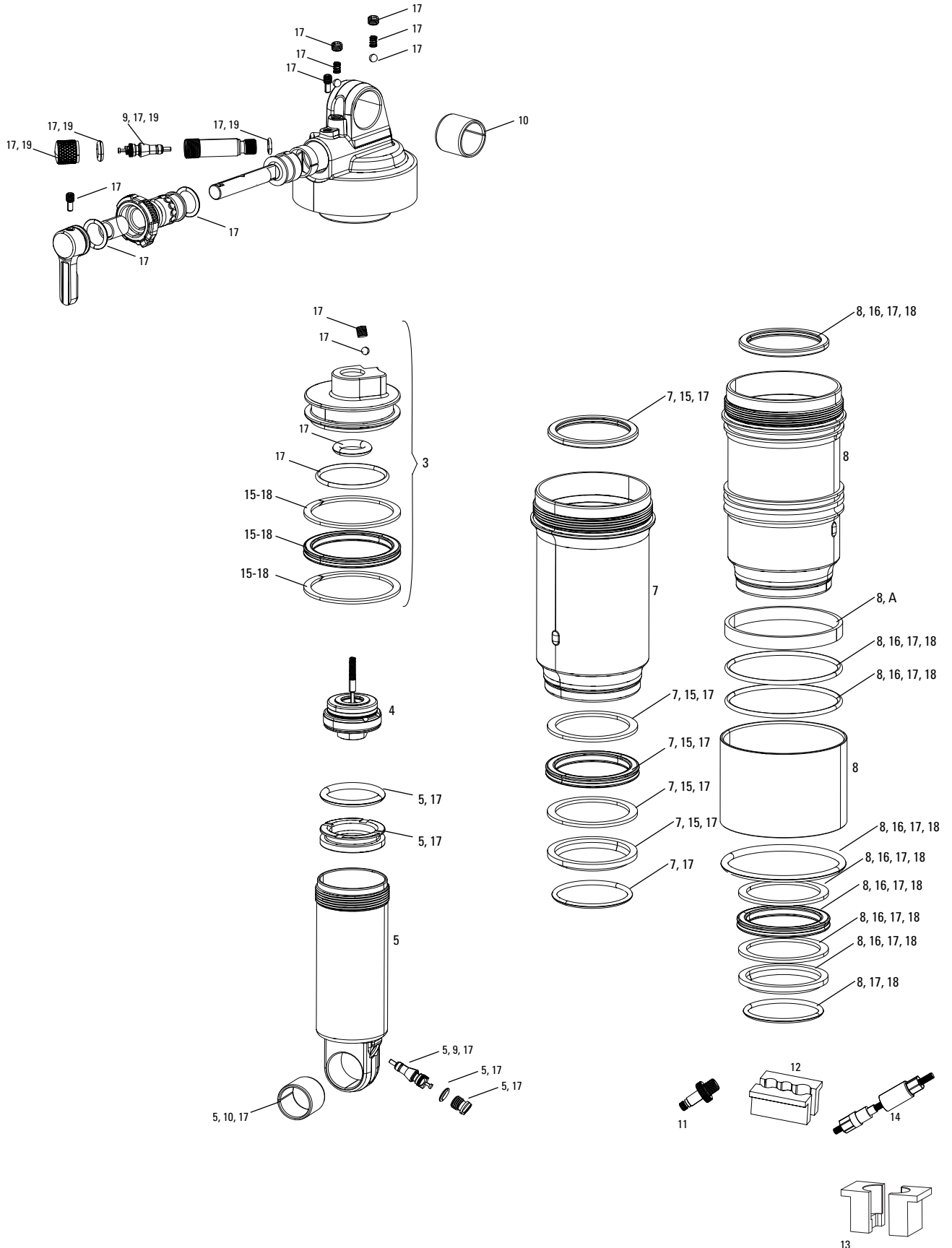
No.	Part Number	Description
2	11.4115.106.010	Air Can Black Monarch/Plus RC3/RT/R(2011-2013) Monarch RT3(2011-2012) 152x31
2	11.4115.106.020	Air Can Black Monarch/Plus RC3/RT/R(2011-2013) Monarch RT3(2011-2012) 165x38
2	11.4115.106.030	Air Can Black Monarch/Plus RC3/RT/R(2011-2013) Monarch RT3(2011-2012) 184x44
2	11.4115.106.040	Air Can Black Monarch/Plus RC3/RT/R(2011-2013) Monarch RT3(2011-2012) 190x51 / 200x51
2	11.4115.106.050	Air Can Black Monarch/Plus RC3/RT/R(2011-2013) Monarch RT3(2011-2012) 200x57
2	11.4115.106.060	Air Can Black Monarch/Plus RC3/RT/R(2011-2013) Monarch RT3(2011-2012) 216x63
2	11.4115.106.070	Air Can Black Monarch/Plus RC3/RT/R(2011-2013) Monarch RT3(2011-2012) 222x66
3	11.4115.106.080	Air Can Black HIGH VOLUME Monarch/Plus RC3/RT/R(2011-2013) Monarch RT3 (2011-2012) 184x44
3	11.4115.106.090	Air Can Black HIGH VOLUME Monarch/Plus RC3/RT/R(2011-2013) Monarch RT3 (2011-2012) 190x51 / 200x51
3	11.4115.106.100	Air Can Black HIGH VOLUME Monarch/Plus RC3/RT/R(2011-2013) Monarch RT3 (2011-2012) 200x57
3	11.4115.106.110	Air Can Black HIGH VOLUME Monarch/Plus RC3/RT/R(2011-2013) Monarch RT3 (2011-2012) 216x63
3	11.4115.106.120	Air Can Black HIGH VOLUME Monarch/Plus RC3/RT/R(2011-2013) Monarch RT3 (2011-2012) 222x66
4	11.4115.107.010	Rebound Knob/Compression Lever Kit - Monarch RT3 11-12
5	11.4115.107.020	Rebound Knob/Floodgate Knob Kit - Monarch RT 11-12
11	11.4115.110.010	Fixed Piston Assembly - Monarch 2012 RT3/2012-2013 RT R XX/2013 RL
12	11.4115.111.010	Main Piston, Tune Rebound-Mid/Compression-Low - Monarch RT3/RT/R
12	11.4115.111.020	Main Piston, Tune Rebound-Mid/Compression-Mid - Monarch RT3/RT/R
12	11.4115.111.030	Main Piston, Tune Rebound-Mid/Compression-High - Monarch RT3/RT/R
12	11.4115.111.040	Main Piston, Tune Rebound-Mid/Compression-Low 3 - Monarch RT3/RT/R
12	11.4115.111.050	Main Piston, Tune Rebound-Mid/Compression-High 3 - Monarch RT3/RT/R
12	11.4115.111.060	Main Piston, Tune Rebound-Mid/Compression-Mid 3 - Monarch RT3/RT/R
12	11.4115.111.070	Main Piston, Tune Rebound-Low/Compression-Low - Monarch RT3/RT/R
12	11.4115.111.080	Main Piston, Tune Rebound-Low/Compression-Mid - Monarch RT3/RT/R
12	11.4115.111.090	Main Piston, Tune Rebound-High/Compression-High 3 - Monarch RT3/RT/R
12	11.4115.111.100	Main Piston, Tune Rebound-High/Compression-Mid 3 - Monarch RT3/RT/R
E	11.4118.005.010	Main Piston Tune MM Monarch XX/2013 Monarch RL
12	11.4118.012.000	Tune Assembly 2013 Monarch R ML (medium rebound, low compression)
12	11.4118.012.001	Tune Assembly 2013 Monarch R MM (medium rebound, medium compression)
12	11.4118.012.002	Tune Assembly 2013 Monarch R MH (medium rebound, high compression)
12	11.4118.012.003	Tune Assembly 2013 Monarch R LL (low rebound, low compression)
12	11.4118.012.004	Tune Assembly 2013 Monarch R HH (high rebound, high compression)
12	11.4118.012.005	Tune Assembly 2013 Monarch R MH3 (medium rebound, high 3 compression)
12	11.4118.012.006	Tune Assembly 2013 Monarch R LM (low rebound, medium compression)
12	11.4118.012.007	Tune Assembly 2013 Monarch RT ML (medium rebound, low compression)
12	11.4118.012.008	Tune Assembly 2013 Monarch RT MM (medium rebound, medium compression)
H	11.4118.008.000	Lockout Plate Kit, Monarch XX/ 2013 Monarch RL/RT
13	11.4115.112.010	Damper Body/IFP - Monarch RT3/RL/RT/R 152x31
13	11.4115.112.020	Damper Body/IFP - Monarch RT3/RL/RT/R 165x38
13	11.4115.112.030	Damper Body/IFP - Monarch RT3/RL/RT/R 184x44
13	11.4115.112.040	Damper Body/IFP - Monarch RT3/RL/RT/R 190x51
13	11.4115.112.050	Damper Body/IFP - Monarch RT3/RL/RT/R 200x51
13	11.4115.112.060	Damper Body/IFP - Monarch RT3/RL/RT/R 200x57
13	11.4115.112.070	Damper Body/IFP - Monarch RT3/RL/RT/R 203x57
13	11.4115.112.080	Damper Body/IFP - Monarch RT3/RL/RT/R 216x63
13	11.4115.112.090	Damper Body/IFP - Monarch RT3/RL/RT/R 222x66
13	11.4118.037.009	Damper Body/IFP - Monarch TREK Trunnion 171x44, A1
13	11.4118.037.010	Damper Body/IFP - Monarch TREK Trunnion 184x51, A1
14	11.4115.113.010	Service Kit Full - 2011 Monarch RT3/RT/R
15	11.4115.113.020	Service Kit Basic - 2011 Monarch RT3/RT/R
F	11.4118.006.000	Service Kit Full - 2012 Monarch XX
G	11.4118.006.010	Service Kit Basic - 2012 Monarch XX
N	11.4115.132.010	Ball Nylon, Bleed, Fixed Piston - Monarch/Monarch Plus, Qty20
16	11.4308.327.002	Schrader Valve Core Qty 2
ns	11.4115.124.010	Air Valve Assembly (includes valve body, valve, valve cap) - Monarch/Monarch Plus
17	11.4115.013.000	Rear Shock Eyelet Bushing 1/2"X1/2" Qty 2
18	00.4315.032.240	AM Rear Shock Air Can Service Kit, Basic - Monarch/Monarch Plus (2012)
19	00.4315.032.250	AM Rear Shock Air Can High Volume Service Kit, Basic - Monarch/Monarch Plus (2012)
I	11.4118.002.000	Banjo/Compression Fitting/Threaded Barb Kit - Monarch XX
J	11.4318.000.000	Remote XLoc Monarch XX Left Black (hose/banjo)
K	11.4318.000.010	Remote XLoc Monarch XX Right Black (hose/banjo)
J	11.4318.001.000	XLoc Remote Service Kit MN XX
L	11.4318.002.040	Hydraulic Hoses/Barbs/Compression Fittings XLoc Monarch XX 1250mm Qty 2 (use with Reverb fluid only) NEW
L	11.4318.002.050	Hydraulic Hoses/Barbs/Compression Fittings XLoc Monarch XX 1250mm Qty 10 (use with Reverb fluid only) NEW
M	11.4118.042.000	Bottomless Ring Kit for Monarch/Vivid Air (includes volume adjust rings, qty 9)
ns	11.4318.003.178	Decal Kit Monarch R White
ns	11.4318.003.179	Decal Kit Monarch R Black
ns	11.4318.003.180	Decal Kit Monarch R High Volume White
ns	11.4318.003.181	Decal Kit Monarch R High Volume Black
ns	11.4318.003.194	Decal Kit Monarch RT White
ns	11.4318.003.195	Decal Kit Monarch RT Black
ns	11.4318.003.196	Decal Kit Monarch RT High Volume White
ns	11.4318.003.197	Decal Kit Monarch RT High Volume Black
ns	11.4318.003.182	Decal Kit Monarch RL White
ns	11.4318.003.183	Decal Kit Monarch RL Black
ns	11.4318.003.184	Decal Kit Monarch RL High Volume White
ns	11.4318.003.185	Decal Kit Monarch RL High Volume Black
ns	11.4318.003.190	Decal Kit Monarch XX White
ns	11.4318.003.191	Decal Kit Monarch XX Black
ns	11.4318.003.192	Decal Kit Monarch XX High Volume White
ns	11.4318.003.193	Decal Kit Monarch XX High Volume Black

MONARCH R / RT / RL (2011-2013) / RT3 (2011-2012) MONARCH XX (2012-2013)



No.	Part Number	Description
ns	11.4115.115.010	Decal, Rear Shock, Tune (ML) - Vivid/Monarch Qty 10
ns	11.4115.115.020	Decal, Rear Shock, Tune (MM) - Vivid/Monarch Qty 10
ns	11.4115.115.030	Decal, Rear Shock, Tune (MH) - Vivid/Monarch Qty 10
ns	11.4115.115.040	Decal, Rear Shock, Tune (ML3) - Vivid/Monarch Qty 10
ns	11.4115.115.050	Decal, Rear Shock, Tune (MH3) - Vivid/Monarch Qty 10
ns	11.4115.115.060	Decal, Rear Shock, Tune (LL3) - Vivid/Monarch Qty 10
ns	11.4115.115.070	Decal, Rear Shock, Tune (LL) - Vivid/Monarch Qty 10
ns	11.4115.115.080	Decal, Rear Shock, Tune (LM) - Vivid/Monarch Qty 10
ns	11.4115.115.090	Decal, Rear Shock, Tune (LH) - Vivid/Monarch Qty 10
ns	11.4115.115.100	Decal, Rear Shock, Tune (LH3) - Vivid/Monarch Qty 10
ns	11.4115.115.110	Decal, Rear Shock, Tune (HL) - Vivid/Monarch Qty 10
ns	11.4115.115.120	Decal, Rear Shock, Tune (HL3) - Vivid/Monarch Qty 10
ns	11.4115.115.130	Decal, Rear Shock, Tune (HM) - Vivid/Monarch Qty 10
ns	11.4115.115.140	Decal, Rear Shock, Tune (HH) - Vivid/Monarch Qty 10
ns	11.4115.115.150	Decal, Rear Shock, Tune (HH3) - Vivid/Monarch Qty 10
20	00.4315.027.010	Air Valve Adapter Tool - RockShox Rear Shocks
21	00.4115.154.020	Rear Shock Vise blocks, 3 Hole for RockShox Monarch/Vivid/Vivid Air/Reverb
22	00.4315.026.010	1/2" x1/2" Rear Shock Bushing Tool (Eyelet/SealHead) RockShox
23	00.4118.013.000	Rear Shock Body Vise blocks, RockShox Monarch
ns	00.4315.022.010	Schrader Valve Removal Tool Rockshox
ns	00.4315.023.010	High-Pressure Fork/Shock Pump (300 psi Max) RockShox
ns	00.4315.023.030	High-Pressure Fork/Shock Pump (600 psi Max) RockShox
ns	00.4315.023.040	High-Pressure Fork/Shock Pump (300 psi Max) RockShox DigitalGauge
ns	11.4115.094.010	Lubricant, Rear Shock Air Can, Maxima 15W 50, 1 Liter Bottle
ns	00.4318.008.002	Grease Rockshox Dynamic Seal Grease (PTFE) 1oz - Recommendedfor Service of Rear Shocks
ns	11.4315.004.020	RockShox Suspension Oil, 3wt 16oz Bottle - Rear Shock Damper/Charger Damper
ns	11.4315.021.050	RockShox Suspension Oil, 3wt 120ml Bottle - Rear Shock Damper/Charger Damper
ns	00.4318.007.001	RockShox Standard Bleed Kit (includes 2 Syringes/fittings, Reverb Hydraulic Fluid, 120ml Bottle new)

MONARCH RT3 (2013)



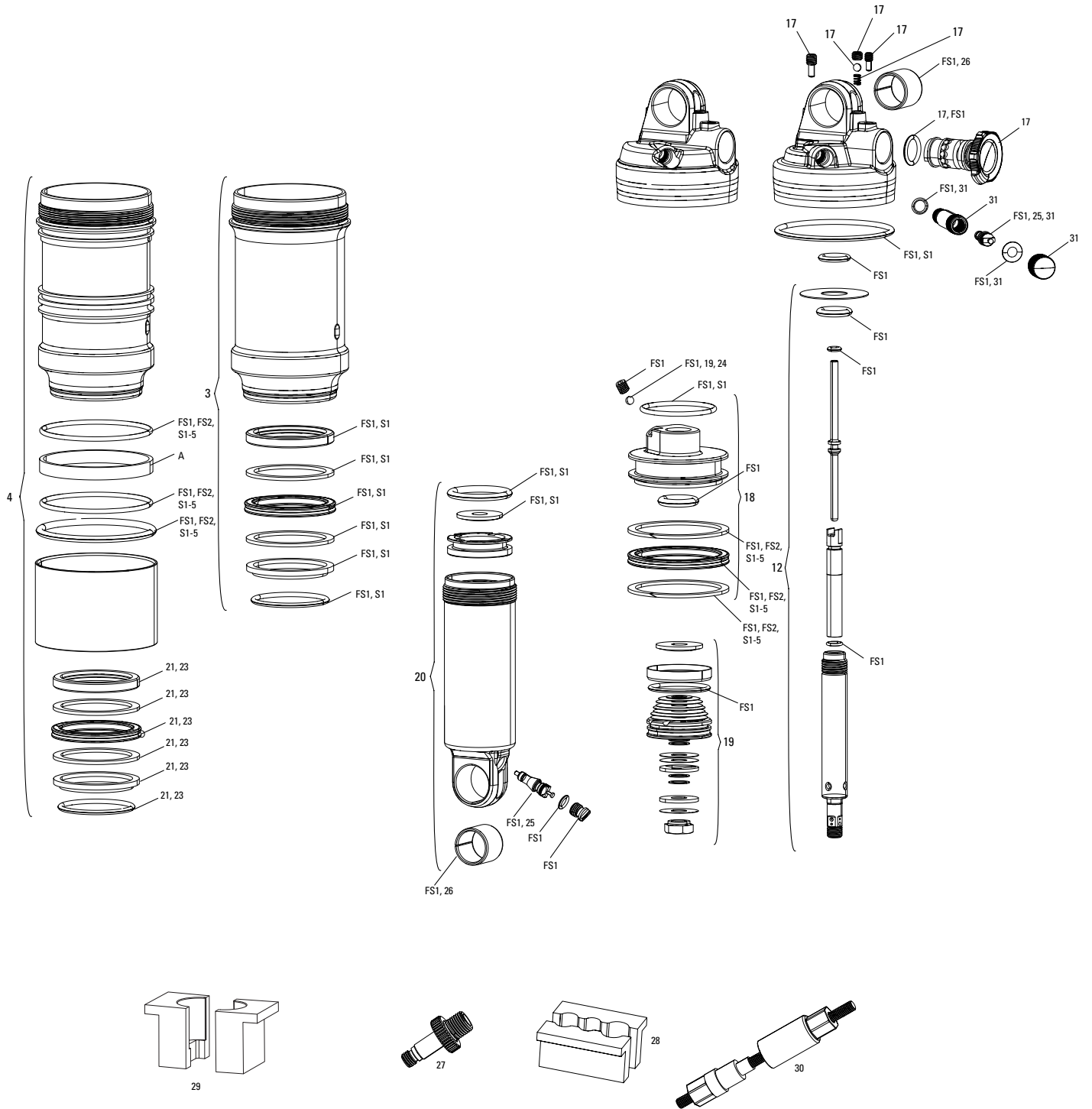
Note:

1. 2013 Monarch RT3 parts, including air cans, are not compatible with pre-2013 Monarch rear shocks.
2. 2013 Monarch RT3 shaft and shaft adjuster rod are not serviceable. Do not attempt to disassemble.
3. Use 1/2"x1/2" Rear Shock Bushing/Mount Hardware Tool to remove and install eyelet bushing and mounting hardware.

MONARCH RT3 (2013)



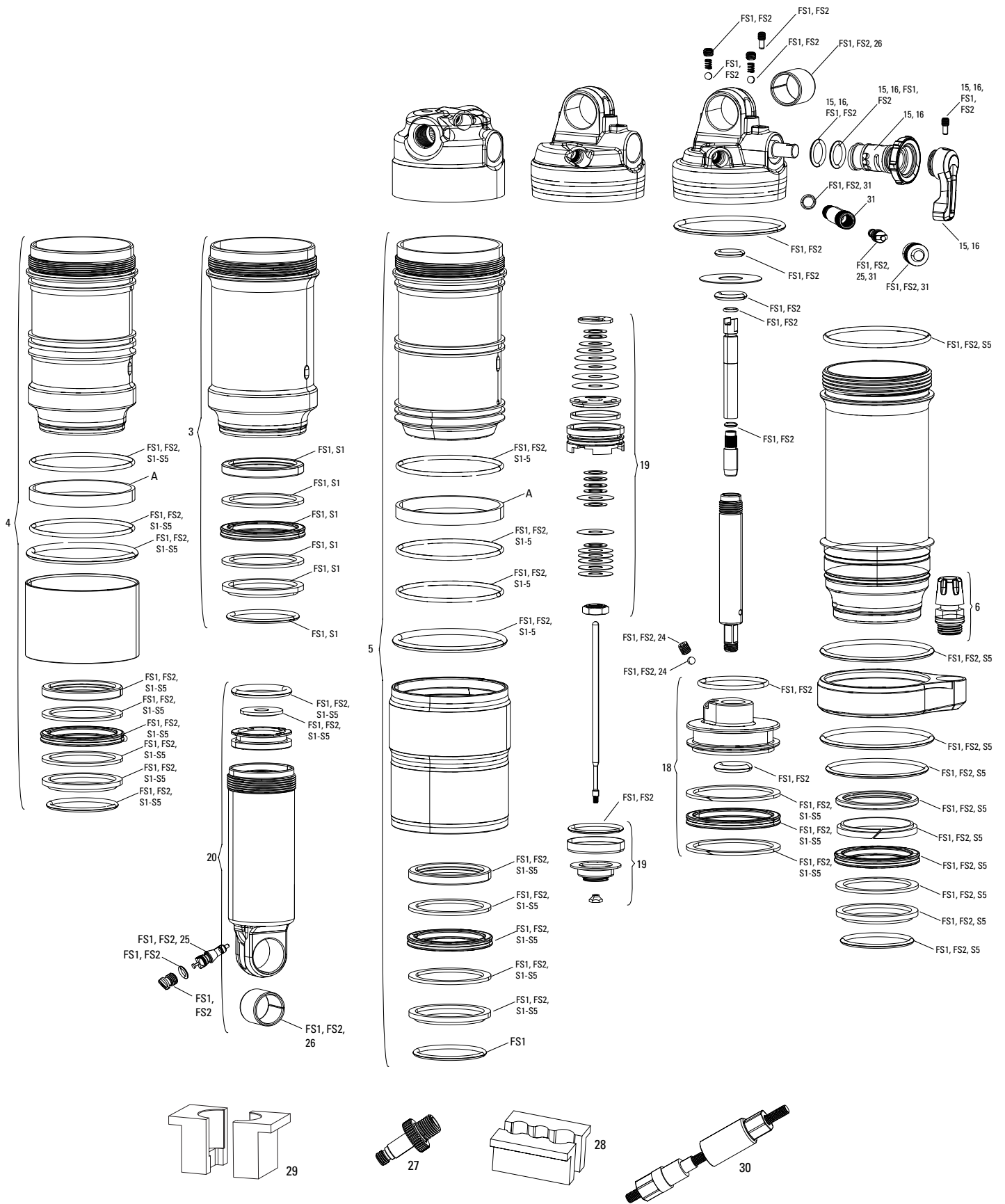
No.	Part Number	Description
3	11.4118.013.000	Fixed Piston Assembly - Monarch B1(Plus,RL,XX), C1(R,RT,RT3), D1(RT3)
4	11.4118.012.009	Tune Assembly 2013 Monarch RT3 MM S 320 (medium rebound, medium compression, soft threshold)
4	11.4118.012.010	Tune Assembly 2013 Monarch RT3 ML4 S 320 (medium rebound, medium compression, soft threshold)
4	11.4118.012.011	Tune Assembly 2013 Monarch RT3 ML4 S 377 (medium rebound, medium compression, soft threshold)
4	11.4118.012.012	Tune Assembly 2013 Monarch RT3 MM F 320 (medium rebound, medium compression, firm threshold)
4	11.4118.012.013	Tune Assembly 2013 Monarch RT3 ML3 F 320 (medium rebound, low 3 compression, firm threshold)
4	11.4118.012.014	Tune Assembly 2013 Monarch RT3 ML F 320 (medium rebound, low compression, firm threshold)
4	11.4118.012.015	Tune Assembly 2013 Monarch RT3 ML S 219 (soft rebound, low compression, soft threshold)
4	11.4118.012.016	Tune Assembly 2013 Monarch RT3 LH F 320 (low rebound, high compression, firm threshold)
4	11.4118.012.017	Tune Assembly 2013 Monarch RT3 HL S 219 (high rebound, low compression, soft threshold)
4	11.4118.012.018	Tune Assembly 2013 Monarch RT3 HM S 320 (high rebound, mid compression, soft threshold)
4	11.4118.012.019	Tune Assembly 2013 Monarch RT3 LL S 219 (low rebound, low compression, soft threshold)
4	11.4118.012.020	Tune Assembly 2013 Monarch RT3 LM S 320 (low rebound, medium compression, soft threshold)
4	11.4118.012.021	Tune Assembly 2013 Monarch RT3 MH F 320 (mid rebound, high compression, firm threshold)
4	11.4118.012.022	Tune Assembly 2013 Monarch RT3 HH F 320 (high rebound, high compression, firm threshold)
5	11.4115.112.010	Damper Body/IFP - Monarch RT3/RL/RT/R 152x31
5	11.4115.112.020	Damper Body/IFP - Monarch RT3/RL/RT/R 165x38
5	11.4115.112.030	Damper Body/IFP - Monarch RT3/RL/RT/R 184x44
5	11.4115.112.040	Damper Body/IFP - Monarch RT3/RL/RT/R 190x51
5	11.4115.112.050	Damper Body/IFP - Monarch RT3/RL/RT/R 200x51
5	11.4115.112.060	Damper Body/IFP - Monarch RT3/RL/RT/R 200x57
5	11.4115.112.070	Damper Body/IFP - Monarch RT3/RL/RT/R 203x57
5	11.4115.112.080	Damper Body/IFP - Monarch RT3/RL/RT/R 216x63
5	11.4115.112.090	Damper Body/IFP - Monarch RT3/RL/RT/R 222x66
5	11.4118.037.009	Damper Body/IFP - Monarch TREK Trunnion 171x44, A1
5	11.4118.037.010	Damper Body/IFP - Monarch TREK Trunnion 184x51, A1
7	11.4115.106.330	Air Can Black 2013 Monarch RT3 152x31
7	11.4115.106.340	Air Can Black 2013 Monarch RT3 165x38
7	11.4115.106.350	Air Can Black 2013 Monarch RT3 184x44
7	11.4115.106.360	Air Can Black 2013 Monarch RT3 190x51 / 200x51
7	11.4115.106.370	Air Can Black 2013 Monarch RT3 200x57
7	11.4115.106.380	Air Can Black 2013 Monarch RT3 216x63
7	11.4115.106.390	Air Can Black 2013 Monarch RT3 222x66
8	11.4115.106.470	Air Can Black 2013 Monarch RT3 HIGH VOLUME 184x44
8	11.4115.106.480	Air Can Black 2013 Monarch RT3 HIGH VOLUME 190x51 / 200x51
8	11.4115.106.490	Air Can Black 2013 Monarch RT3 HIGH VOLUME 200x57
8	11.4115.106.500	Air Can Black 2013 Monarch RT3 HIGH VOLUME 216x63
8	11.4115.106.510	Air Can Black 2013 Monarch RT3 HIGH VOLUME 222x66
A	11.4118.042.000	Bottomless Ring Kit for Monarch/Vivid Air (includes volume adjust rings, qty 9)
ns	11.4115.115.010	Decal, Rear Shock, Tune (ML) - Vivid/Monarch Qty 10
ns	11.4115.115.020	Decal, Rear Shock, Tune (MM) - Vivid/Monarch Qty 10
ns	11.4115.115.030	Decal, Rear Shock, Tune (MH) - Vivid/Monarch Qty 10
ns	11.4115.115.040	Decal, Rear Shock, Tune (ML3) - Vivid/Monarch Qty 10
ns	11.4115.115.050	Decal, Rear Shock, Tune (MH3) - Vivid/Monarch Qty 10
ns	11.4115.115.060	Decal, Rear Shock, Tune (LL3) - Vivid/Monarch Qty 10
ns	11.4115.115.070	Decal, Rear Shock, Tune (LL) - Vivid/Monarch Qty 10
ns	11.4115.115.080	Decal, Rear Shock, Tune (LM) - Vivid/Monarch Qty 10
ns	11.4115.115.090	Decal, Rear Shock, Tune (LH) - Vivid/Monarch Qty 10
ns	11.4115.115.100	Decal, Rear Shock, Tune (LH3) - Vivid/Monarch Qty 10
ns	11.4115.115.110	Decal, Rear Shock, Tune (HL) - Vivid/Monarch Qty 10
ns	11.4115.115.120	Decal, Rear Shock, Tune (HL3) - Vivid/Monarch Qty 10
ns	11.4115.115.130	Decal, Rear Shock, Tune (HM) - Vivid/Monarch Qty 10
ns	11.4115.115.140	Decal, Rear Shock, Tune (HH) - Vivid/Monarch Qty 10
ns	11.4115.115.150	Decal, Rear Shock, Tune (HH3) - Vivid/Monarch Qty 10
ns	11.4318.003.186	Decal Kit Monarch RT3 White
ns	11.4318.003.187	Decal Kit Monarch RT3 Black
ns	11.4318.003.188	Decal Kit Monarch RT3 High Volume White
ns	11.4318.003.189	Decal Kit Monarch RT3 High Volume Black
9	11.4308.327.002	Schrader Valve Core Qty 2
10	11.4115.013.000	Rear Shock Eyelet Bushing 1/2"x1/2" Qty 2
11	00.4315.027.010	Air Valve Adapter Tool - RockShox Rear Shocks
12	00.4115.154.020	Rear Shock Vise blocks, 3 Hole for RockShox Monarch/Vivid/Vivid Air/Reverb
13	00.4118.013.000	Rear Shock Body Vise blocks, RockShox Monarch
14	00.4315.026.010	1/2"x1/2" Rear Shock Bushing Tool (Eyelet/SealHead) RockShox
15	00.4315.032.330	AM Rear Shock Air Can Service Kit, Basic - Monarch RT3 (2013)
16	00.4315.032.340	AM Rear Shock Air Can High Volume Service Kit, Basic - Monarch RT3 (2013)
17	11.4118.015.000	Service Kit Full - 2013 Monarch 3 RT3
18	11.4118.015.010	Service Kit Basic - 2013 Monarch 3 RT3
19	11.4115.124.010	Air Valve Assembly (includes valve body, valve, valve cap) - Monarch/Monarch Plus
ns	00.4315.022.010	Schrader Valve Removal Tool Rockshox
ns	00.4315.023.010	High-Pressure Fork/Shock Pump (300 psi Max) RockShox
ns	00.4315.023.030	High-Pressure Fork/Shock Pump (600 psi Max) RockShox
ns	00.4315.023.040	High-Pressure Fork/Shock Pump (300 psi Max) RockShox DigitalGauge
ns	11.4115.094.010	Lubricant, Rear Shock Air Can, Maxima 15W 50, 1 Liter Bottle
ns	00.4318.008.002	Grease Rockshox Dynamic Seal Grease (PTFE) 1oz - Recommended for Service of Rear Shocks
ns	11.4315.004.030	RockShox Suspension Oil, 7wt 16oz Bottle - Rear Shock Damper
ns	11.4315.021.060	RockShox Suspension Oil, 7wt 120ml Bottle - Rear Shock Damper



Note:

1. All 2014+ Monarch shocks are compatible with standard, DebonAir and high-volume air can assemblies; air can includes all seals installed.
2. Monarch Service Kit (full) intended for air seal and oil change/service to damper. Monarch Service Kit (basic) intended for air seal service only.
3. Use '1/2"x1/2" Rear Shock Bushing/Mount Hardware Tool' to remove and install eyelet bushing and mounting hardware.
4. Use '1/2"x1/2" Rear Shock Bushing/Mount Hardware Tool' to remove and install eyelet bushing and mounting hardware.
5. All 2014+ Air can assemblies are compatible with Monarch R, RL, RT3, and XX.

MONARCH RT (C1-D2/2014-2017)/RL (B1-C2/2014-2017)
MONARCH RT3 (C1-C3/2014-2015)



MONARCH R (C1-D2/2014-2016)/ RT (C1-D2/2014-2016) MONARCH RL (B1-C2/2014-2016) / RT3 (C1-C3/2014-2015)



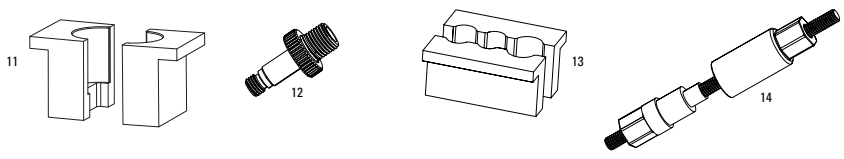
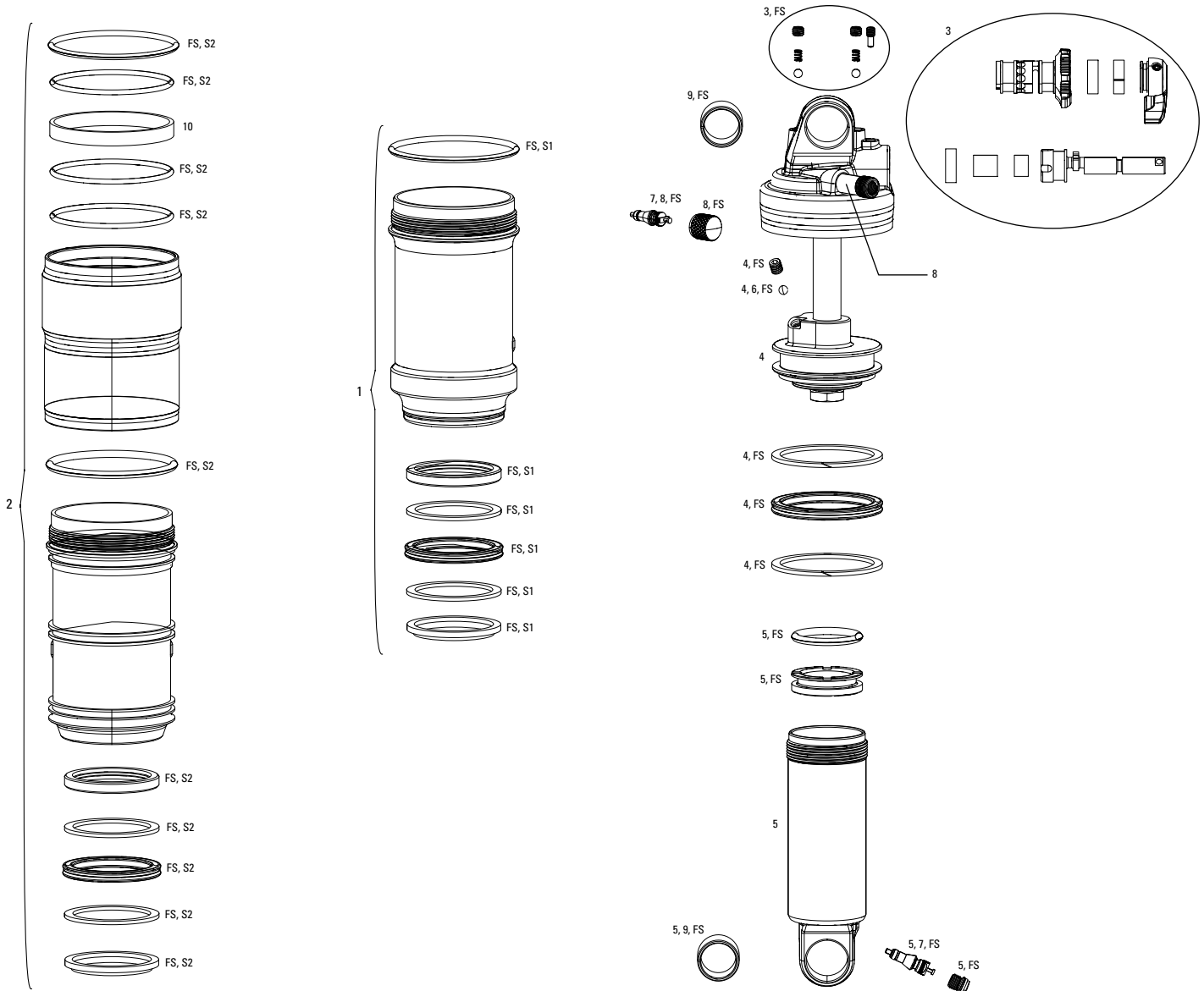
No.	Part Number	Description
3	11.4118.033.008	Air Can Assembly Monarch Black 152x31, B1(Plus,RL,XX), C1(R,RT,RT3) D1(RT3)
3	11.4118.033.009	Air Can Assembly Monarch Black 165x38, B1(Plus,RL,XX), C1(R,RT,RT3) D1(RT3)
3	11.4118.033.010	Air Can Assembly Monarch Black 184x44, B1(Plus,RL,XX), C1(R,RT,RT3) D1(RT3)
3	11.4118.033.011	Air Can Assembly Monarch Black 190x51/200x51, B1(Plus,RL,XX), C1(R,RT,RT3) D1(RT3)
3	11.4118.033.012	Air Can Assembly Monarch Black 200x57, B1(Plus,RL,XX), C1(R,RT,RT3) D1(RT3)
3	11.4118.033.013	Air Can Assembly Monarch Black 216x63, B1(Plus,RL,XX), C1(R,RT,RT3) D1(RT3)
4	11.4118.033.014	Air Can Assembly Monarch Black High Volume 165x38, B1(Plus,RL,XX), C1(R,RT,RT3)
4	11.4118.033.015	Air Can Assembly Monarch Black High Volume 190x51/200x51, B1(Plus,RL,XX), C1(R,RT,RT3)
4	11.4118.033.016	Air Can Assembly Monarch Black High Volume 200x57, B1(Plus,RL,XX), C1(R,RT,RT3)
4	11.4118.033.017	Air Can Assembly Monarch Black High Volume 216x63, B1(Plus,RL,XX), C1(R,RT,RT3)
5	11.4118.033.028	Air Can Assembly Monarch Black Debonair (includes decals) 165x38, B1(Plus,RL,XX), C1(R,RT,RT3) D1(RT3)
5	11.4118.033.029	Air Can Assembly Monarch Black Debonair (includes decals) 184x44, B1(Plus,RL,XX), C1(R,RT,RT3) D1(RT3)
5	11.4118.033.030	Air Can Assembly Monarch Black Debonair (includes decals) 190x51/200x51, B1(Plus,RL,XX), C1(R,RT,RT3) D1(RT3)
5	11.4118.033.031	Air Can Assembly Monarch Black Debonair (includes decals) 200x57, B1(Plus,RL,XX), C1(R,RT,RT3) D1(RT3)
5	11.4118.033.032	Air Can Assembly Monarch Black Debonair (includes decals) 216x63, B1(Plus,RL,XX), C1(R,RT,RT3) D1(RT3)
5a	00.4018.783.004	Air Can Upgrade Kit - DebonAir 165X38 (includes air can, volume spacers, seals & decals) - B1 & Later (Monarch 2014+/RT32013+)
5a	00.4018.783.005	Air Can Upgrade Kit - DebonAir 184X44 (includes air can, volume spacers, seals & decals) - B1 & Later (Monarch 2014+/RT32013+)
5a	00.4018.783.006	Air Can Upgrade Kit - DebonAir 190/200X51 (includes air can, volume spacers, seals & decals) - B1 & Later (Monarch 2014+/RT3 2013+)
5a	00.4018.783.007	Air Can Upgrade Kit - DebonAir 200X57 (includes air can, volume spacers, seals & decals) - B1 & Later (Monarch 2014+/RT32013+)
5a	00.4018.783.008	Air Can Upgrade Kit - DebonAir 216X63 (includes air can, volume spacers, seals & decals) - B1 & Later (Monarch 2014+/RT32013+)
6	11.4118.041.000	Monarch SBC Autosag Valve Assembly A1
15	11.4115.107.040	Rebound Knob/Compression Lever Kit - Monarch RT3 C1/D1
16	11.4115.107.050	Rebound Knob/Compression Lever Kit - Monarch RL/RT, B1(RL),C1(RT)
17	11.4115.107.060	Rebound Knob Kit - Monarch R C1 2011-2014(C1)
18	11.4118.013.000	Fixed Piston Assembly - Monarch B1(Plus,RL,XX), C1(R,RT,RT3), D1(RT3)
19	11.4118.023.003	Tune Assy, Monarch R Reb-Low/Comp-Low 3 (CF-60lbs), C1
19	11.4118.023.004	Tune Assy, Monarch R Reb-Low/Comp-Low (CF-80lbs), C1
19	11.4118.023.005	Tune Assy, Monarch R Reb-Low/Comp-Mid (CF-97lbs), C1
19	11.4118.023.006	Tune Assy, Monarch R Reb-Mid/Comp-Low 3 (CF-60 lbs), C1
19	11.4118.023.007	Tune Assy, Monarch R Reb-Mid/Comp-Low (CF-80lbs), C1
19	11.4118.023.008	Tune Assy, Monarch R Reb-Mid/Comp-Mid (CF-97lbs), C1
19	11.4118.023.009	Tune Assy, Monarch R Reb-Mid/Comp-High (CF-110lbs), C1
19	11.4118.023.010	Tune Assy, Monarch R Reb-High/Comp-High (CF-110lbs), C1
19	11.4118.023.011	Tune Assy, Monarch RT Reb-Low/Comp-Low 3 (CF-60lbs), LF-219, B1
19	11.4118.023.012	Tune Assy, Monarch RT Reb-Low/Comp-Low (CF-80lbs), LF-219, B1
19	11.4118.023.013	Tune Assy, Monarch RT Reb-Low/Comp-Mid (CF-97lbs), LF-219, B1
19	11.4118.023.014	Tune Assy, Monarch RT Reb-Mid/Comp-Low 3 (CF-60 lbs), LF-219, B1
19	11.4118.023.015	Tune Assy, Monarch RT Reb-Mid/Comp-Low (CF-80lbs), LF-219, B1
19	11.4118.023.016	Tune Assy, Monarch RT Reb-Mid/Comp-Mid (CF-97lbs), LF-219, B1
19	11.4118.023.017	Tune Assy, Monarch RT Reb-Mid/Comp-High (CF-110lbs), LF-219, B1
19	11.4118.023.018	Tune Assy, Monarch RT Reb-High/Comp-High (CF-110lbs), LF-219, B1
19	11.4118.023.019	Tune Assy, Monarch XX/RT Reb-Low/Comp-Low 3 (CF-60lbs), LF-320, B1(XX), C1(RT)
19	11.4118.023.020	Tune Assy, Monarch XX/RT Reb-Low/Comp-Low (CF-80lbs), LF-320, B1(XX), C1(RT)
19	11.4118.023.021	Tune Assy, Monarch XX/RT Reb-Low/Comp-Mid (CF-97lbs), LF-320, B1(XX), C1(RT)
19	11.4118.023.022	Tune Assy, Monarch XX/RT Reb-Mid/Comp-Low 3 (CF-60 lbs), LF-320, B1(XX), C1(RT)
19	11.4118.023.023	Tune Assy, Monarch XX/RT Reb-Mid/Comp-Low (CF-80lbs), LF-320, B1(XX), C1(RT)
19	11.4118.023.024	Tune Assy, Monarch XX/RT Reb-Mid/Comp-Mid (CF-97lbs), LF-320, B1(XX), C1(RT)
19	11.4118.023.025	Tune Assy, Monarch XX/RT Reb-Mid/Comp-High (CF-110lbs), LF-320, B1(XX), C1(RT)
19	11.4118.023.026	Tune Assy, Monarch XX/RT Reb-High/Comp-High (CF-110lbs), LF-320, B1(XX), C1(RT)
19	11.4118.023.027	Tune Assy, Monarch XX/RL Reb-Low/Comp-Low 3 (CF-60lbs), LF-430, B1(XX, RL)
19	11.4118.023.028	Tune Assy, Monarch XX/RL Reb-Low/Comp-Low (CF-80lbs), LF-430, B1(XX, RL)
19	11.4118.023.029	Tune Assy, Monarch XX/RL Reb-Low/Comp-Mid (CF-97lbs), LF-430, B1(XX, RL)
19	11.4118.023.030	Tune Assy, Monarch XX/RL Reb-Mid/Comp-Low 3 (CF-60 lbs), LF-430, B1(XX, RL)
19	11.4118.023.031	Tune Assy, Monarch XX/RL Reb-Mid/Comp-Low (CF-80lbs), LF-430, B1(XX, RL)
19	11.4118.023.032	Tune Assy, Monarch XX/RL Reb-Mid/Comp-Mid (CF-97lbs), LF-430, B1(XX, RL)
19	11.4118.023.033	Tune Assy, Monarch XX/RL Reb-Mid/Comp-High (CF-110lbs), LF-430, B1(XX, RL)
19	11.4118.023.034	Tune Assy, Monarch XX/RL Reb-High/Comp-High (CF-110lbs), LF-430, B1(XX, RL)
19	11.4118.023.035	Tune Assy, Monarch RT3 Reb-Low/Comp-Low 3 (CF-60lbs) soft threshold, LF-320, C1/D1
19	11.4118.023.036	Tune Assy, Monarch RT3 Reb-Low/Comp-Low (CF-80lbs) soft threshold, LF-320, C1/D1
19	11.4118.023.037	Tune Assy, Monarch RT3 Reb-Low/Comp-Mid (CF-97lbs) soft threshold, LF-320, C1/D1
19	11.4118.023.038	Tune Assy, Monarch RT3 Reb-Mid/Comp-Low 3 (CF-60 lbs) soft threshold, LF-320, C1/D1
19	11.4118.023.039	Tune Assy, Monarch RT3 Reb-Mid/Comp-Low (CF-80lbs) soft threshold, LF-320, C1/D1
19	11.4118.023.040	Tune Assy, Monarch RT3 Reb-Mid/Comp-Mid (CF-97lbs) soft threshold, LF-320, C1/D1
19	11.4118.023.041	Tune Assy, Monarch RT3 Reb-Mid/Comp-High (CF-110lbs) soft threshold, LF-320, C1/D1
19	11.4118.023.042	Tune Assy, Monarch RT3 Reb-High/Comp-High (CF-110lbs) soft threshold, LF-320, C1/D1
19	11.4118.023.043	Tune Assy, Monarch RT3 Reb-Low/Comp-Low 3 (CF-60lbs) firm threshold, LF-320, C1/D1
19	11.4118.023.044	Tune Assy, Monarch RT3 Reb-Low/Comp-Low (CF-80lbs) firm threshold, LF-320, C1/D1
19	11.4118.023.045	Tune Assy, Monarch RT3 Reb-Low/Comp-Mid (CF-97lbs) firm threshold, LF-320, C1/D1
19	11.4118.023.046	Tune Assy, Monarch RT3 Reb-Mid/Comp-Low 3 (CF-60 lbs) firm threshold, LF-320, C1/D1

MONARCH R (C1-D2/2014-2016)/ RT (C1-D2/2014-2016)
MONARCH RL (B1-C2/2014-2016) / RT3 (C1-C3/2014-2015)



No.	Part Number	Description
20	11.4118.037.013	Damper Body/IFP Fast Black, 152X31 - Monarch 2014-2016
20	11.4118.037.014	Damper Body/IFP Fast Black, 165X38 - Monarch 2014-2016
20	11.4118.037.015	Damper Body/IFP Fast Black, 184X44 - Monarch 2014-2016
20	11.4118.037.016	Damper Body/IFP Fast Black, 190X51 - Monarch 2014-2016
20	11.4118.037.017	Damper Body/IFP Fast Black, 200X51 - Monarch 2014-2016
20	11.4118.037.018	Damper Body/IFP Fast Black, 200X57 - Monarch 2014-2016
20	11.4118.037.019	Damper Body/IFP Fast Black, 203X57 - Monarch 2014-2015
20	11.4118.037.020	Damper Body/IFP Fast Black, 216X63 - Monarch 2014-2016
20	11.4118.037.021	Damper Body/IFP Fast Black, 184X48 - Monarch 2014-2016 TREK
20	11.4118.037.022	Damper Body/IFP Fast Black, 197X54 - Monarch 2014-2016 TREK
20	11.4118.037.023	Damper Body/IFP Fast Black, 197X57 - Monarch 2014-2016 TREK
20	11.4118.037.028	Damper Body/IFP Fast Black, 197X48 - Monarch 2014-2015 Camber/Rumor 29 (2013-2014)
20	11.4118.037.029	Damper Body/IFP Fast Black, 197X51 - Monarch 2014-2015 Camber Evo 29 (2014)
20	11.4118.037.011	Damper Body/IFP - Monarch TREK Trunnion 184x48, B1
20	11.4118.037.012	Damper Body/IFP - Monarch TREK Trunnion 184x51, B1
ns	11.4418.004.000	Damper Body - Monarch Specialized 194x48/51 - 2013
ns	11.4418.004.001	Damper Body - Monarch Specialized 197x48 - 2013
ns	11.4115.112.080	Damper Body/IFP - Monarch RT3/RL/RT/R 216x63
ns	11.4418.004.003	Damper Body - Monarch Specialized 194x48/51 - 2014
FS1	11.4118.038.000	Service Kit Full - Monarch B1(RL) C1 (R,RT,RT3), D1 (RT3)
FS2	11.4418.002.010	Service Kit Full- Monarch with Autosag Specialized B1
S1	00.4315.032.380	AM Rear Shock Air Can Service Kit, Basic - Monarch B1(Plus,XX,RL) C1 (R,RT3) D1 (2014-2016)
S2	00.4315.032.390	AM Rear Shock Air Can Service Kit, Basic - Monarch High Volume B1(Plus,XX,RL) C1 (R,RT3) (2014-2015)
S3	00.4315.032.480	AM Rear Shock Air Can Service Kit, Basic - Monarch Auto SagB1 (2014-2016)
S4	00.4315.032.540	AM Rear Shock Air Can Service Kit, Basic - Monarch DebonAir(2015-2016)
S5	11.4418.002.000	Service Kit Basic- Monarch with Autosag Specialized B1
24	11.4115.132.010	Ball Nylon, Bleed, Fixed Piston - Monarch/Monarch Plus, Qty20
25	11.4308.327.002	Schrader Valve Core Qty 2
ns	11.4115.124.010	Air Valve Assembly (includes valve body, valve, valve cap) -Monarch/Monarch Plus
26	11.4115.013.000	Rear Shock Eyelet Bushing 1/2"X1/2" Qty 2
A	11.4118.042.000	Bottomless Ring Kit for Monarch/Vivid Air (includes volume adjust rings, qty 9)
ns	11.4318.003.445	Decal Kit Monarch R/RL/RT Silver/Black 152/165/184/190/200/216
ns	11.4318.003.446	Decal Kit Monarch R/RL/RT DebonAir Silver/Black 152/165/184/190/200/216
ns	11.4318.003.447	Decal Kit Monarch RT3/RT3 DebonAir Silver/Black 152/165/184/190/200/216
ns	11.4318.003.244	Decal Kit Monarch R/RL/RT3/XX High Volume Black Can 165 B1(RL,XX), C1(R,RT3)
ns	11.4318.003.246	Decal Kit Monarch R/RL/RT3/XX High Volume Black Can 190/200B1(RL,XX), C1(R,RT3)
ns	11.4318.003.248	Decal Kit Monarch R/RL/RT3/XX High Volume Black Can 216 B1(RL,XX), C1(R,RT3)
ns	11.4115.115.010	Decal, Rear Shock, Tune (ML) - Vivid/Monarch Qty 10
ns	11.4115.115.020	Decal, Rear Shock, Tune (MM) - Vivid/Monarch Qty 10
ns	11.4115.115.030	Decal, Rear Shock, Tune (MH) - Vivid/Monarch Qty 10
ns	11.4115.115.040	Decal, Rear Shock, Tune (ML3) - Vivid/Monarch Qty 10
ns	11.4115.115.050	Decal, Rear Shock, Tune (MH3) - Vivid/Monarch Qty 10
ns	11.4115.115.060	Decal, Rear Shock, Tune (LL3) - Vivid/Monarch Qty 10
ns	11.4115.115.070	Decal, Rear Shock, Tune (LL) - Vivid/Monarch Qty 10
ns	11.4115.115.080	Decal, Rear Shock, Tune (LM) - Vivid/Monarch Qty 10
ns	11.4115.115.090	Decal, Rear Shock, Tune (LH) - Vivid/Monarch Qty 10
ns	11.4115.115.100	Decal, Rear Shock, Tune (LH3) - Vivid/Monarch Qty 10
ns	11.4115.115.110	Decal, Rear Shock, Tune (HL) - Vivid/Monarch Qty 10
ns	11.4115.115.120	Decal, Rear Shock, Tune (HL3) - Vivid/Monarch Qty 10
ns	11.4115.115.130	Decal, Rear Shock, Tune (HM) - Vivid/Monarch Qty 10
ns	11.4115.115.140	Decal, Rear Shock, Tune (HH) - Vivid/Monarch Qty 10
ns	11.4115.115.150	Decal, Rear Shock, Tune (HH3) - Vivid/Monarch Qty 10
27	00.4315.027.010	Air Valve Adapter Tool - RockShox Rear Shocks
28	00.4115.154.020	Rear Shock Vise blocks, 3 Hole for RockShox Monarch/Vivid/Vivid Air/Reverb
29	00.4118.013.000	Rear Shock Body Vise blocks, RockShox Monarch
30	00.4315.026.010	1/2"x1/2" Rear Shock Bushing Tool (Eyelet/SealHead) RockShox
ns	00.4315.022.010	Schrader Valve Removal Tool Rockshox
ns	00.4315.023.010	High-Pressure Fork/Shock Pump (300 psi Max) RockShox
ns	00.4315.023.030	High-Pressure Fork/Shock Pump (600 psi Max) RockShox
ns	00.4315.023.040	High-Pressure Fork/Shock Pump (300 psi Max) RockShox DigitalGauge
ns	11.4115.094.010	Lubricant, Rear Shock Air Can, Maxima 15W 50, 1 Liter Bottle
ns	00.4318.008.002	Grease Rockshox Dynamic Seal Grease (PTFE) 1oz - Recommendedfor Service of Rear Shocks
ns	11.4315.004.020	RockShox Suspension Oil, 3wt 16oz Bottle - Rear Shock Damper/Charger Damper
ns	11.4315.021.050	RockShox Suspension Oil, 3wt 120ml Bottle - Rear Shock Damper/Charger Damper
ns	11.4315.004.030	RockShox Suspension Oil, 7wt 16oz Bottle - Rear Shock Damper
ns	11.4315.021.060	RockShox Suspension Oil, 7wt 120ml Bottle - Rear Shock Damper

MONARCH RT3 (D1/2016-2017)



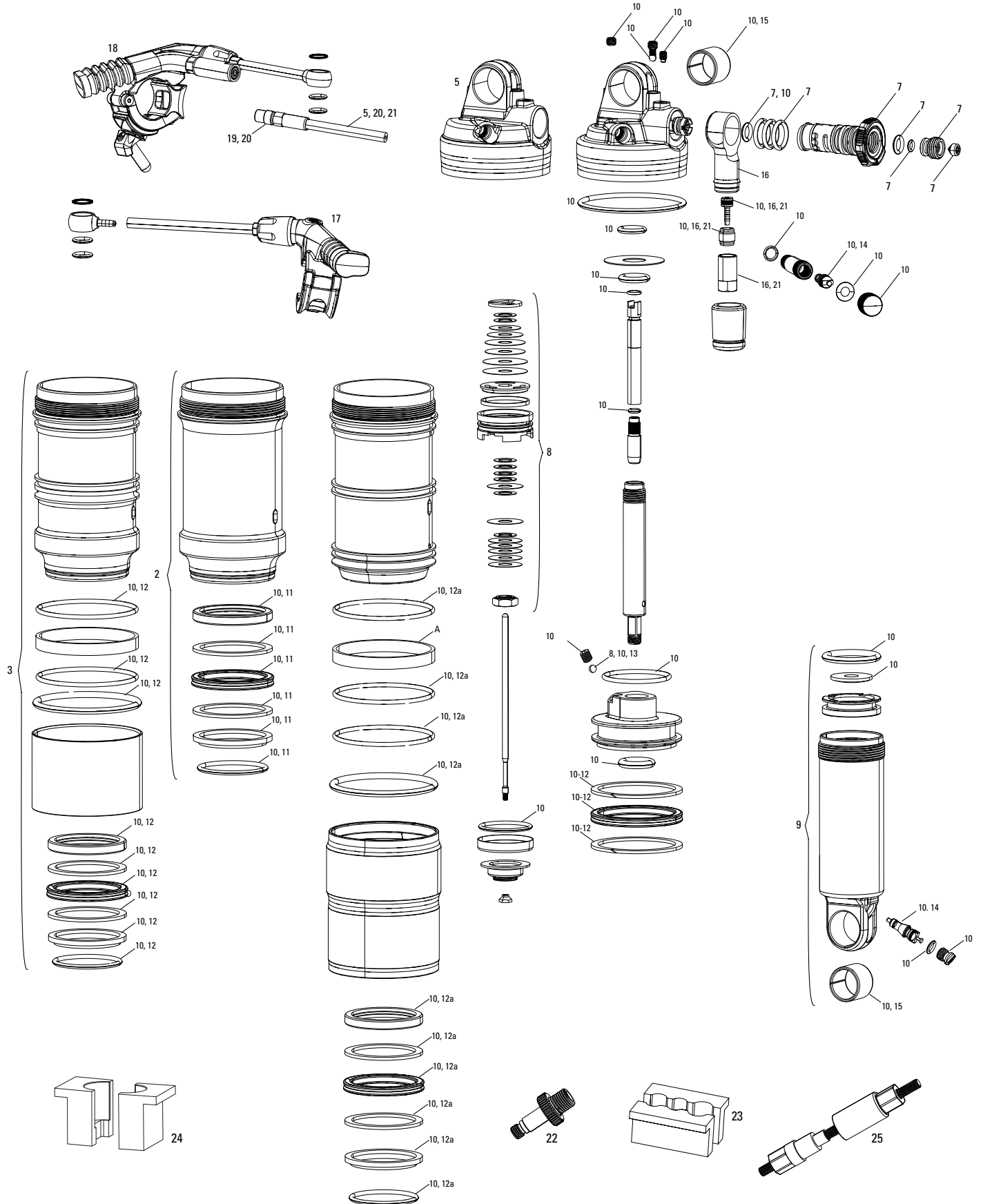
Note:

1. Service Kit Full - Monarch RT3 intended for air seal and oil change/service to damper. AM Rear Shock Air Can Service Kit, Basic - Monarch RT3 intended for air seal service only.
2. Use 1/2"x1/2" Rear Shock Bushing/Mount Hardware Tool to remove and install eyelet bushing and mounting hardware.

MONARCH RT3 (D1/2016-2017)



No.	Part Number	Description
1	11.4118.033.008	Air Can Assembly Monarch Black 152x31, B1(Plus,RL,XX), C1(R,RT,RT3) D1(RT3)
1	11.4118.033.009	Air Can Assembly Monarch Black 165x38, B1(Plus,RL,XX), C1(R,RT,RT3) D1(RT3)
1	11.4118.033.010	Air Can Assembly Monarch Black 184x44, B1(Plus,RL,XX), C1(R,RT,RT3) D1(RT3)
1	11.4118.033.011	Air Can Assembly Monarch Black 190x51/200x51, B1(Plus,RL,XX), C1(R,RT,RT3) D1(RT3)
1	11.4118.033.012	Air Can Assembly Monarch Black 200x57, B1(Plus,RL,XX), C1(R,RT,RT3) D1(RT3)
1	11.4118.033.013	Air Can Assembly Monarch Black 216x63, B1(Plus,RL,XX), C1(R,RT,RT3) D1(RT3)
2	11.4118.033.028	Air Can Assembly Monarch Black Debonair (includes decals) 165x38, B1(Plus,RL,XX), C1(R,RT,RT3) D1(RT3)
2	11.4118.033.029	Air Can Assembly Monarch Black Debonair (includes decals) 184x44, B1(Plus,RL,XX), C1(R,RT,RT3) D1(RT3)
2	11.4118.033.030	Air Can Assembly Monarch Black Debonair (includes decals) 190x51/200x51, B1(Plus,RL,XX), C1(R,RT,RT3) D1(RT3)
2	11.4118.033.031	Air Can Assembly Monarch Black Debonair (includes decals) 200x57, B1(Plus,RL,XX), C1(R,RT,RT3) D1(RT3)
2	11.4118.033.032	Air Can Assembly Monarch Black Debonair (includes decals) 216x63, B1(Plus,RL,XX), C1(R,RT,RT3) D1(RT3)
2	00.4018.783.004	Air Can Upgrade Kit - DebonAir 165X38 (includes air can, volume spacers, seals & decals) - B1 & Later (Monarch 2014+/RT32013+)
2	00.4018.783.005	Air Can Upgrade Kit - DebonAir 184X44 (includes air can, volume spacers, seals & decals) - B1 & Later (Monarch 2014+/RT32013+)
2	00.4018.783.006	Air Can Upgrade Kit - DebonAir 190/200X51 (includes air can, volume spacers, seals & decals) - B1 & Later (Monarch 2014+/RT3 2013+)
2	00.4018.783.007	Air Can Upgrade Kit - DebonAir 200X57 (includes air can, volume spacers, seals & decals) - B1 & Later (Monarch 2014+/RT32013+)
2	00.4018.783.008	Air Can Upgrade Kit - DebonAir 216X63 (includes air can, volume spacers, seals & decals) - B1 & Later (Monarch 2014+/RT32013+)
3	11.4115.107.040	Rebound Knob/Compression Lever Kit - Monarch RT3 C1/D1
4	11.4118.013.000	Fixed Piston Assembly - Monarch B1(Plus,RL,XX), C1(R,RT,RT3), D1(RT3)
ns	11.4118.023.035	Tune Assy, Monarch RT3 Reb-Low/Comp-Low 3 (CF-60lbs) soft threshold, LF-320, C1/D1
ns	11.4118.023.036	Tune Assy, Monarch RT3 Reb-Low/Comp-Low (CF-80lbs) soft threshold, LF-320, C1/D1
ns	11.4118.023.037	Tune Assy, Monarch RT3 Reb-Low/Comp-Mid (CF-97lbs) soft threshold, LF-320, C1/D1
ns	11.4118.023.038	Tune Assy, Monarch RT3 Reb-Mid/Comp-Low 3 (CF-60 lbs) soft threshold, LF-320, C1/D1
ns	11.4118.023.039	Tune Assy, Monarch RT3 Reb-Mid/Comp-Low (CF-80lbs) soft threshold, LF-320, C1/D1
ns	11.4118.023.040	Tune Assy, Monarch RT3 Reb-Mid/Comp-Mid (CF-97lbs) soft threshold, LF-320, C1/D1
ns	11.4118.023.041	Tune Assy, Monarch RT3 Reb-Mid/Comp-High (CF-110lbs) soft threshold, LF-320, C1/D1
ns	11.4118.023.042	Tune Assy, Monarch RT3 Reb-High/Comp-High (CF-110lbs) soft threshold, LF-320, C1/D1
ns	11.4118.023.043	Tune Assy, Monarch RT3 Reb-Low/Comp-Low 3 (CF-60lbs) firm threshold, LF-320, C1/D1
ns	11.4118.023.044	Tune Assy, Monarch RT3 Reb-Low/Comp-Low (CF-80lbs) firm threshold, LF-320, C1/D1
ns	11.4118.023.045	Tune Assy, Monarch RT3 Reb-Low/Comp-Mid (CF-97lbs) firm threshold, LF-320, C1/D1
ns	11.4118.023.046	Tune Assy, Monarch RT3 Reb-Mid/Comp-Low 3 (CF-60 lbs) firm threshold, LF-320, C1/D1
ns	11.4118.023.047	Tune Assy, Monarch RT3 Reb-Mid/Comp-Low (CF-80lbs) firm threshold, LF-320, C1/D1
ns	11.4118.023.048	Tune Assy, Monarch RT3 Reb-Mid/Comp-Mid (CF-97lbs) firm threshold, LF-320, C1/D1
ns	11.4118.023.049	Tune Assy, Monarch RT3 Reb-Mid/Comp-High (CF-110lbs) firm threshold, LF-320, C1/D1
ns	11.4118.023.050	Tune Assy, Monarch RT3 Reb-High/Comp-High (CF-110lbs) firm threshold, LF-320, C1/D1
5	11.4118.037.013	Damper Body/IFP Fast Black, 152X31 - Monarch 2014-2017
5	11.4118.037.014	Damper Body/IFP Fast Black, 165X38 - Monarch 2014-2017
5	11.4118.037.015	Damper Body/IFP Fast Black, 184X44 - Monarch 2014-2017
5	11.4118.037.016	Damper Body/IFP Fast Black, 190X51 - Monarch 2014-2017
5	11.4118.037.017	Damper Body/IFP Fast Black, 200X51 - Monarch 2014-2017
5	11.4118.037.018	Damper Body/IFP Fast Black, 200X57 - Monarch 2014-2017
5	11.4118.037.020	Damper Body/IFP Fast Black, 216X63 - Monarch 2014-2017
FS	11.4118.038.000	Service Kit Full - Monarch B1(RL) C1 (R,RT,RT3), D1 (RT3)
S1	00.4315.032.380	AM Rear Shock Air Can Service Kit, Basic - Monarch B1(Plus,XX,RL) C1 (R,RT3) D1 (2014-2016)
S2	00.4315.032.540	AM Rear Shock Air Can Service Kit, Basic - Monarch DebonAir(2015-2016)
6	11.4115.132.010	Ball Nylon, Bleed, Fixed Piston - Monarch/Monarch Plus, Qty20
7	11.4308.327.002	Schrader Valve Core Qty 2
8	11.4115.124.010	Air Valve Assembly (includes valve body, valve, valve cap) -Monarch/Monarch Plus
9	11.4115.013.000	Rear Shock Eyelet Bushing 1/2"x1/2" Qty 2
10	11.4118.042.000	Bottomless Ring Kit for Monarch/Vivid Air (includes volume adjust rings, qty 9)
ns	11.4318.003.447	Decal Kit Monarch RT3/RT3 DebonAir Silver/Black 152/165/184/190/200/216
ns	11.4115.115.010	Decal, Rear Shock, Tune (ML) - Vivid/Monarch Qty 10
ns	11.4115.115.020	Decal, Rear Shock, Tune (MM) - Vivid/Monarch Qty 10
ns	11.4115.115.030	Decal, Rear Shock, Tune (MH) - Vivid/Monarch Qty 10
ns	11.4115.115.040	Decal, Rear Shock, Tune (ML3) - Vivid/Monarch Qty 10
ns	11.4115.115.050	Decal, Rear Shock, Tune (MH3) - Vivid/Monarch Qty 10
ns	11.4115.115.060	Decal, Rear Shock, Tune (LL3) - Vivid/Monarch Qty 10
ns	11.4115.115.070	Decal, Rear Shock, Tune (LL) - Vivid/Monarch Qty 10
ns	11.4115.115.080	Decal, Rear Shock, Tune (LM) - Vivid/Monarch Qty 10
ns	11.4115.115.090	Decal, Rear Shock, Tune (LH) - Vivid/Monarch Qty 10
ns	11.4115.115.100	Decal, Rear Shock, Tune (LH3) - Vivid/Monarch Qty 10
ns	11.4115.115.110	Decal, Rear Shock, Tune (HL) - Vivid/Monarch Qty 10
ns	11.4115.115.120	Decal, Rear Shock, Tune (HL3) - Vivid/Monarch Qty 10
ns	11.4115.115.130	Decal, Rear Shock, Tune (HM) - Vivid/Monarch Qty 10
ns	11.4115.115.140	Decal, Rear Shock, Tune (HH) - Vivid/Monarch Qty 10
ns	11.4115.115.150	Decal, Rear Shock, Tune (HH3) - Vivid/Monarch Qty 10
11	00.4118.013.000	Rear Shock Body Vise blocks, RockShox Monarch
12	00.4315.027.010	Air Valve Adapter Tool - RockShox Rear Shocks
13	00.4115.154.020	Rear Shock Vise blocks, 3 Hole for RockShox Monarch/Vivid/Vivid Air/Reverb
14	00.4315.026.010	1/2"x1/2" Rear Shock Bushing Tool (Eyelet/SealHead) RockShox
ns	00.4315.022.010	Schrader Valve Removal Tool Rockshox
ns	00.4315.023.010	High-Pressure Fork/Shock Pump (300 psi Max) RockShox
ns	00.4315.023.030	High-Pressure Fork/Shock Pump (600 psi Max) RockShox
ns	00.4315.023.040	High-Pressure Fork/Shock Pump (300 psi Max) RockShox DigitalGauge
ns	11.4115.094.010	Lubricant, Rear Shock Air Can, Maxima 15W 50, 1 Liter Bottle
ns	00.4318.008.002	Grease Rockshox Dynamic Seal Grease (PTFE) 1oz - Recommendedfor Service of Rear Shocks
ns	11.4315.004.020	RockShox Suspension Oil, 3wt 16oz Bottle - Rear Shock Damper/Charger Damper
ns	11.4315.021.050	RockShox Suspension Oil, 3wt 120ml Bottle - Rear Shock Damper/Charger Damper
ns	11.4315.004.030	RockShox Suspension Oil, 7wt 16oz Bottle - Rear Shock Damper
ns	11.4315.021.060	RockShox Suspension Oil, 7wt 120ml Bottle - Rear Shock Damper



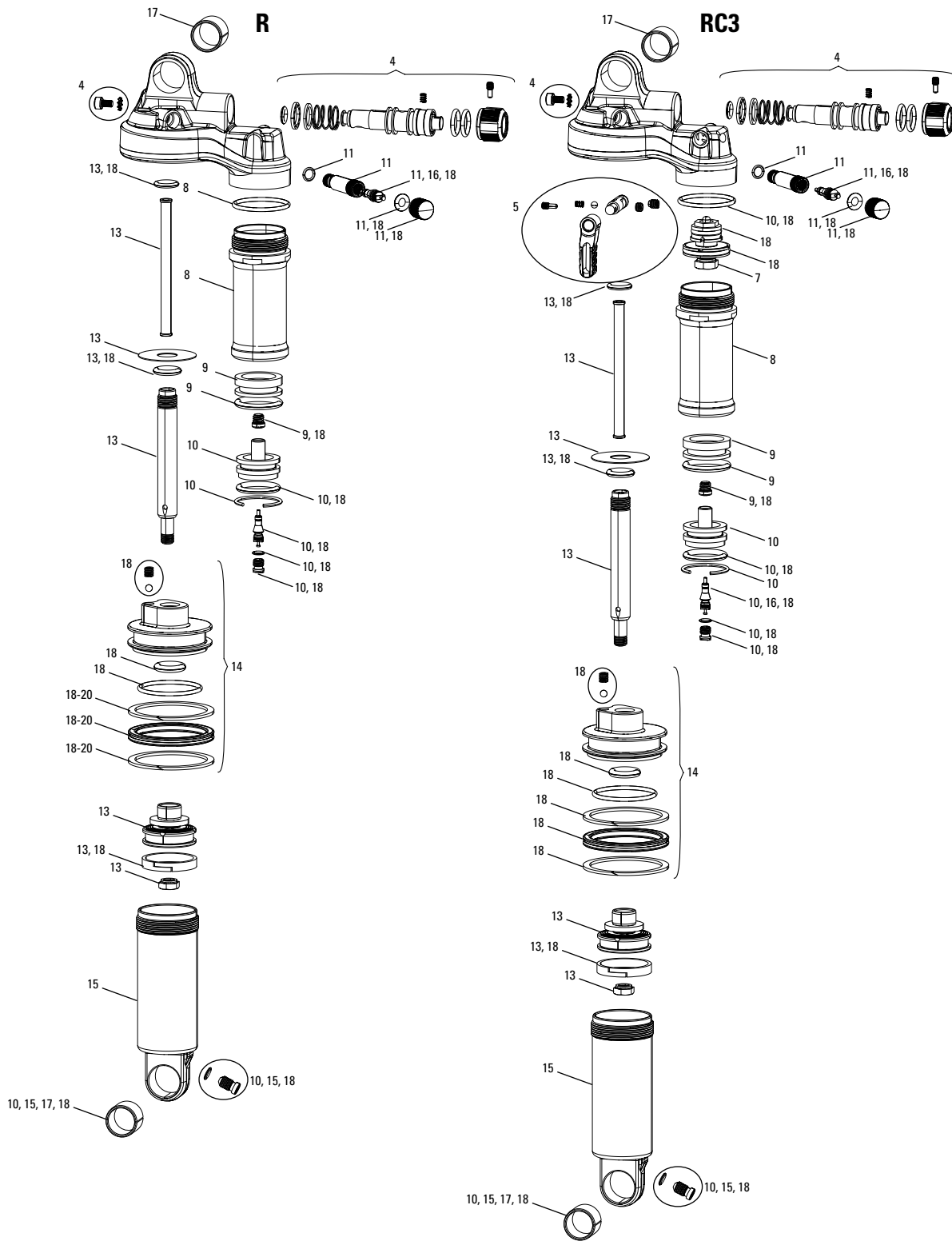
MONARCH XX (B1-C2/2014-2017)



No.	Part Number	Description
2	11.4118.033.008	Air Can Assembly Monarch Black 152x31, B1(Plus,RL,XX), C1(R,RT,RT3) D1(RT3)
2	11.4118.033.009	Air Can Assembly Monarch Black 165x38, B1(Plus,RL,XX), C1(R,RT,RT3) D1(RT3)
2	11.4118.033.010	Air Can Assembly Monarch Black 184x44, B1(Plus,RL,XX), C1(R,RT,RT3) D1(RT3)
2	11.4118.033.011	Air Can Assembly Monarch Black 190x51/200x51, B1(Plus,RL,XX), C1(R,RT,RT3) D1(RT3)
2	11.4118.033.012	Air Can Assembly Monarch Black 200x57, B1(Plus,RL,XX), C1(R,RT,RT3) D1(RT3)
2	11.4118.033.013	Air Can Assembly Monarch Black 216x63, B1(Plus,RL,XX), C1(R,RT,RT3) D1(RT3)
3	11.4118.033.014	Air Can Assembly Monarch Black High Volume 165x38, B1(Plus,RL,XX), C1(R,RT,RT3)
3	11.4118.033.015	Air Can Assembly Monarch Black High Volume 190x51/200x51, B1(Plus,RL,XX), C1(R,RT,RT3)
3	11.4118.033.016	Air Can Assembly Monarch Black High Volume 200x57, B1(Plus,RL,XX), C1(R,RT,RT3)
3	11.4118.033.017	Air Can Assembly Monarch Black High Volume 216x63, B1(Plus,RL,XX), C1(R,RT,RT3)
3	11.4118.033.028	Air Can Assembly Monarch Black Debonair (includes decals) 165x38, B1(Plus,RL,XX), C1(R,RT,RT3) D1(RT3)
3	11.4118.033.029	Air Can Assembly Monarch Black Debonair (includes decals) 184x44, B1(Plus,RL,XX), C1(R,RT,RT3) D1(RT3)
3	11.4118.033.030	Air Can Assembly Monarch Black Debonair (includes decals) 190x51/200x51, B1(Plus,RL,XX), C1(R,RT,RT3) D1(RT3)
3	11.4118.033.031	Air Can Assembly Monarch Black Debonair (includes decals) 200x57, B1(Plus,RL,XX), C1(R,RT,RT3) D1(RT3)
3	11.4118.033.032	Air Can Assembly Monarch Black Debonair (includes decals) 216x63, B1(Plus,RL,XX), C1(R,RT,RT3) D1(RT3)
7	11.4118.001.001	Rebound Knob Assy Monarch XX A1-B1
8	11.4118.023.019	Tune Assy, Monarch XX/RT Reb-Low/Comp-Low 3 (CF-60lbs), LF-320, B1(XX), C1(RT)
8	11.4118.023.020	Tune Assy, Monarch XX/RT Reb-Low/Comp-Low (CF-80lbs), LF-320, B1(XX), C1(RT)
8	11.4118.023.021	Tune Assy, Monarch XX/RT Reb-Low/Comp-Mid (CF-97lbs), LF-320, B1(XX), C1(RT)
8	11.4118.023.022	Tune Assy, Monarch XX/RT Reb-Mid/Comp-Low 3 (CF-60 lbs), LF-320, B1(XX), C1(RT)
8	11.4118.023.023	Tune Assy, Monarch XX/RT Reb-Mid/Comp-Low (CF-80lbs), LF-320, B1(XX), C1(RT)
8	11.4118.023.024	Tune Assy, Monarch XX/RT Reb-Mid/Comp-Mid (CF-97lbs), LF-320, B1(XX), C1(RT)
8	11.4118.023.025	Tune Assy, Monarch XX/RT Reb-Mid/Comp-High (CF-110lbs), LF-320, B1(XX), C1(RT)
8	11.4118.023.026	Tune Assy, Monarch XX/RT Reb-High/Comp-High (CF-110lbs), LF-320, B1(XX), C1(RT)
8	11.4118.023.027	Tune Assy, Monarch XX/RL Reb-Low/Comp-Low 3 (CF-60lbs), LF-430, B1(XX, RL)
8	11.4118.023.028	Tune Assy, Monarch XX/RL Reb-Low/Comp-Low (CF-80lbs), LF-430, B1(XX, RL)
8	11.4118.023.029	Tune Assy, Monarch XX/RL Reb-Low/Comp-Mid (CF-97lbs), LF-430, B1(XX, RL)
8	11.4118.023.030	Tune Assy, Monarch XX/RL Reb-Mid/Comp-Low 3 (CF-60 lbs), LF-430, B1(XX, RL)
8	11.4118.023.031	Tune Assy, Monarch XX/RL Reb-Mid/Comp-Low (CF-80lbs), LF-430, B1(XX, RL)
8	11.4118.023.032	Tune Assy, Monarch XX/RL Reb-Mid/Comp-Mid (CF-97lbs), LF-430, B1(XX, RL)
8	11.4118.023.033	Tune Assy, Monarch XX/RL Reb-Mid/Comp-High (CF-110lbs), LF-430, B1(XX, RL)
8	11.4118.023.034	Tune Assy, Monarch XX/RL Reb-High/Comp-High (CF-110lbs), LF-430, B1(XX, RL)
9	11.4118.037.013	Damper Body/IFP Fast Black, 152X31 - Monarch 2014-2017
9	11.4118.037.014	Damper Body/IFP Fast Black, 165X38 - Monarch 2014-2017
9	11.4118.037.015	Damper Body/IFP Fast Black, 184X44 - Monarch 2014-2017
9	11.4118.037.016	Damper Body/IFP Fast Black, 190X51 - Monarch 2014-2017
9	11.4118.037.017	Damper Body/IFP Fast Black, 200X51 - Monarch 2014-2017
9	11.4118.037.018	Damper Body/IFP Fast Black, 200X57 - Monarch 2014-2017
9	11.4118.037.019	Damper Body/IFP Fast Black, 203X57 - Monarch 2014-2015
9	11.4118.037.020	Damper Body/IFP Fast Black, 216X63 - Monarch 2014-2017
10	11.4118.038.001	Service Kit Full - Monarch XX B1(2014-2015)
11	00.4315.032.380	AM Rear Shock Air Can Service Kit, Basic - Monarch B1(Plus,XX,RL) C1 (R,RT3) D1 (2014-2016)
12	00.4315.032.390	AM Rear Shock Air Can Service Kit, Basic - Monarch High Volume B1(Plus,XX,RL) C1 (R,RT3) (2014-2015)
12	00.4315.032.540	AM Rear Shock Air Can Service Kit, Basic - Monarch DebonAir(2015-2016)
13	11.4115.132.010	Ball Nylon, Bleed, Fixed Piston - Monarch/Monarch Plus, Qty20
14	11.4308.327.002	Schrader Valve Core Qty 2
ns	11.4115.124.010	Air Valve Assembly (includes valve body, valve, valve cap) -Monarch/Monarch Plus
15	11.4115.013.000	Rear Shock Eyelet Bushing 1/2"X1/2" Qty 2
16	11.4118.002.000	Banjo/Compression Fitting/Threaded Barb Kit - Monarch XX
17	11.4318.000.000	Remote XLoc Monarch XX Left Black (hose/banjo)
17	11.4318.000.010	Remote XLoc Monarch XX Right Black (hose/banjo)
ns	11.4318.001.000	XLoc Remote Service Kit MN XX
18	11.4315.013.070	Remote XLoc Full Sprint Left Gold Adjuster (includes hose/banjo)
18	11.4315.013.080	Remote XLoc Full Sprint Right Gold Adjuster (includes hose/banjo)
ns	11.4318.006.010	XLoc Full Sprint Remote Service Kit (includes ratchet wheeland O-rings)
19	11.4318.005.000	Connectamajig Collar Suspension Black - Reverb/XLoc Full sprint
20	11.4318.002.040	Hydraulic Hoses/Barbs/Compression Fittings XLoc Monarch XX 1250mm Qty 2 (use with Reverb fluid only) NEW
20	11.4318.002.050	Hydraulic Hoses/Barbs/Compression Fittings XLoc Monarch XX 1250mm Qty 10 (use with Reverb fluid only) NEW
21	11.4318.002.020	Hydraulic Hose/Barb/Compression Fitting XLoc Monarch XX FullSprint Connectamajig 2000mm Qty 1 (use with Reverb fluid only) B1
21	11.4318.002.030	Hydraulic Hoses/Barbs/Compression Fittings XLoc Monarch XX Full Sprint Connectamajig 2000mm Qty 10 (use with Reverb fluid only) B1
ns	11.4318.003.450	Decal Kit Monarch XX/XX DebonAir Silver/Black 152/165/184/190/200/216
ns	11.4318.003.244	Decal Kit Monarch R/RL/RT3/XX High Volume Black Can 165 B1(RL,XX), C1(R,RT3)
ns	11.4318.003.246	Decal Kit Monarch R/RL/RT3/XX High Volume Black Can 190/200B1(RL,XX), C1(R,RT3)
ns	11.4318.003.248	Decal Kit Monarch R/RL/RT3/XX High Volume Black Can 216 B1(RL,XX), C1(R,RT3)
ns	11.4115.115.010	Decal, Rear Shock, Tune (ML) - Vivid/Monarch Qty 10
ns	11.4115.115.020	Decal, Rear Shock, Tune (MM) - Vivid/Monarch Qty 10
ns	11.4115.115.030	Decal, Rear Shock, Tune (MH) - Vivid/Monarch Qty 10
ns	11.4115.115.040	Decal, Rear Shock, Tune (ML3) - Vivid/Monarch Qty 10
ns	11.4115.115.050	Decal, Rear Shock, Tune (MH3) - Vivid/Monarch Qty 10
ns	11.4115.115.060	Decal, Rear Shock, Tune (LL3) - Vivid/Monarch Qty 10
ns	11.4115.115.070	Decal, Rear Shock, Tune (LL) - Vivid/Monarch Qty 10
ns	11.4115.115.080	Decal, Rear Shock, Tune (LM) - Vivid/Monarch Qty 10
ns	11.4115.115.090	Decal, Rear Shock, Tune (LH) - Vivid/Monarch Qty 10
ns	11.4115.115.100	Decal, Rear Shock, Tune (LH3) - Vivid/Monarch Qty 10
ns	11.4115.115.110	Decal, Rear Shock, Tune (HL) - Vivid/Monarch Qty 10
ns	11.4115.115.120	Decal, Rear Shock, Tune (HL3) - Vivid/Monarch Qty 10
ns	11.4115.115.130	Decal, Rear Shock, Tune (HM) - Vivid/Monarch Qty 10
ns	11.4115.115.140	Decal, Rear Shock, Tune (HH) - Vivid/Monarch Qty 10
ns	11.4115.115.150	Decal, Rear Shock, Tune (HH3) - Vivid/Monarch Qty 10

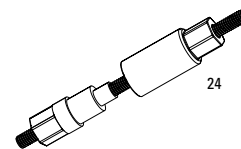
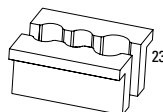
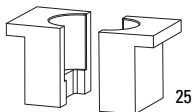
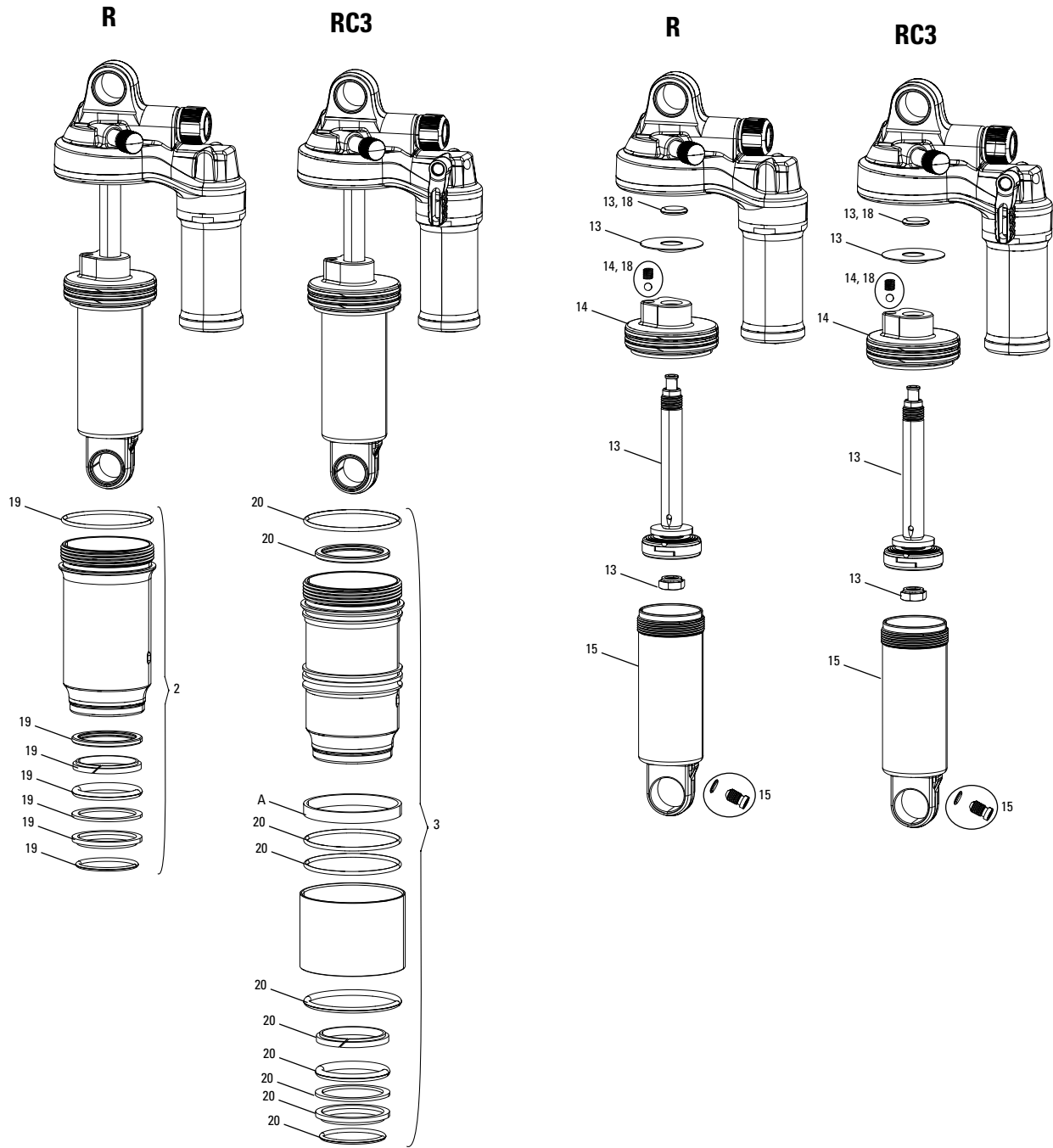


No.	Part Number	Description
22	00.4315.027.010	Air Valve Adapter Tool - RockShox Rear Shocks
23	00.4115.154.020	Rear Shock Vise blocks, 3 Hole for RockShox Monarch/Vivid/Vivid Air/Reverb
24	00.4118.013.000	Rear Shock Body Vise blocks, RockShox Monarch
25	00.4315.026.010	1/2"x1/2" Rear Shock Bushing Tool (Eyelet/SealHead) RockShox
A	11.4118.042.000	Bottomless Ring Kit for Monarch/Vivid Air (includes volume adjust rings, qty 9)
ns	00.4315.022.010	Schrader Valve Removal Tool Rockshox
ns	00.4315.023.010	High-Pressure Fork/Shock Pump (300 psi Max) RockShox
ns	00.4315.023.030	High-Pressure Fork/Shock Pump (600 psi Max) RockShox
ns	00.4315.023.040	High-Pressure Fork/Shock Pump (300 psi Max) RockShox DigitalGauge
ns	11.4115.094.010	Lubricant, Rear Shock Air Can, Maxima 15W 50, 1 Liter Bottle
ns	00.4318.008.002	Grease Rockshox Dynamic Seal Grease (PTFE) 1oz - Recommended for Service of Rear Shocks
ns	11.4315.004.020	RockShox Suspension Oil, 3wt 16oz Bottle - Rear Shock Damper/Charger Damper
ns	11.4315.021.050	RockShox Suspension Oil, 3wt 120ml Bottle - Rear Shock Damper/Charger Damper
ns	11.4315.021.070	RockShox Reverb Hydraulic Fluid, 120ml Bottle - Reverb/Sprint Remote
ns	11.4015.354.040	RockShox Reverb Hydraulic Fluid, 1 Liter Bottle - Reverb/Sprint Remote
ns	00.4318.007.001	RockShox Standard Bleed Kit (includes 2 Syringes/fittings, Reverb Hydraulic Fluid, 120ml Bottle new)



Note:

1. All 2011-2013 Monarch Plus shocks are compatible with 2011-2013 standard and high-volume air can assemblies; air can includes all seals installed.
2. Use "1/2"x1/2" Rear Shock Bushing/Mount Hardware Tool" to remove and install eyelet bushing and mounting hardware.

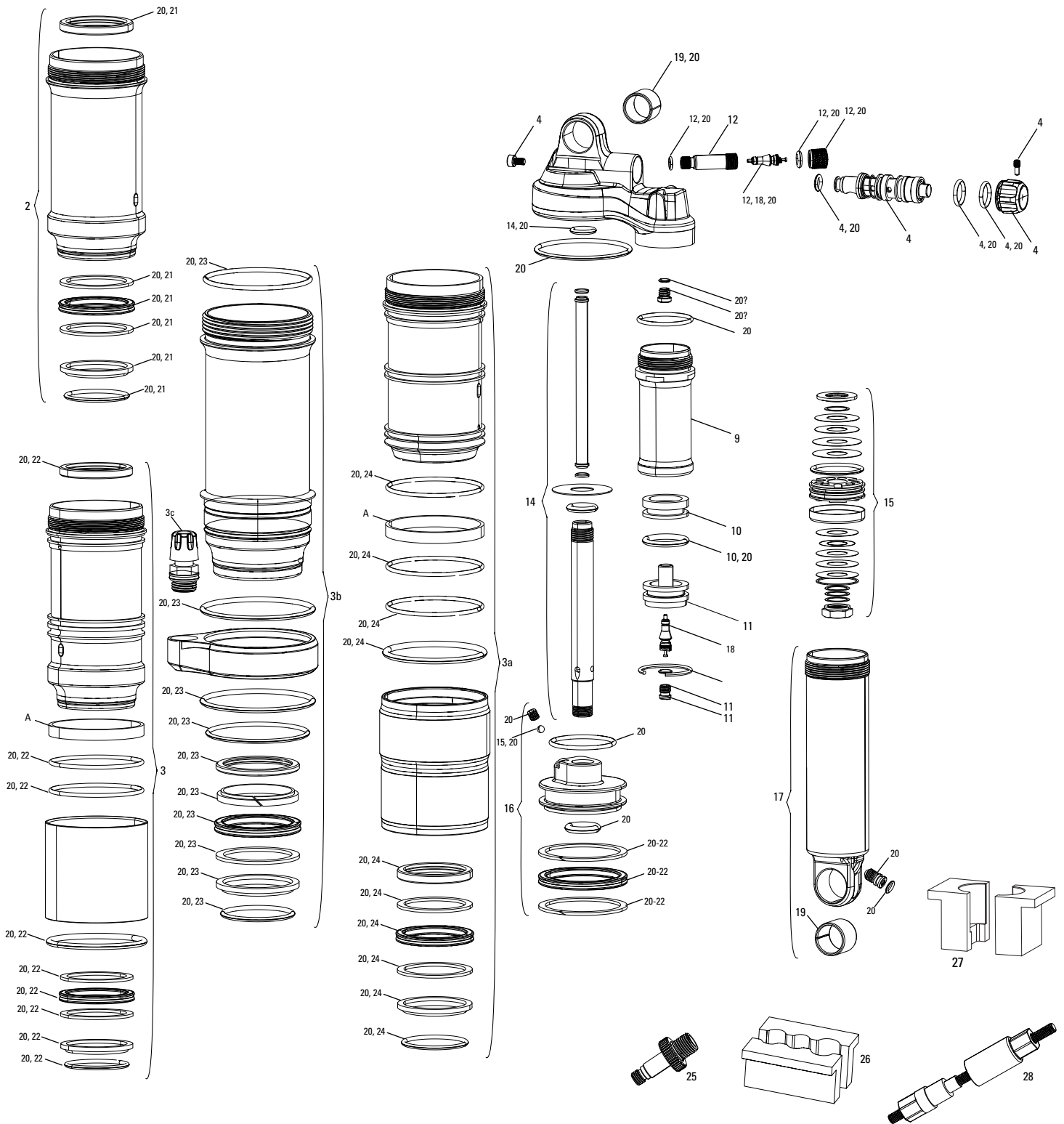


MONARCH PLUS (2011-2013)



No.	Part Number	Description
2	11.4115.106.010	Air Can Black Monarch/Plus RC3/RT/R(2011-2013) Monarch RT3(2011-2012) 152x31
2	11.4115.106.020	Air Can Black Monarch/Plus RC3/RT/R(2011-2013) Monarch RT3(2011-2012) 165x38
2	11.4115.106.030	Air Can Black Monarch/Plus RC3/RT/R(2011-2013) Monarch RT3(2011-2012) 184x44
2	11.4115.106.040	Air Can Black Monarch/Plus RC3/RT/R(2011-2013) Monarch RT3(2011-2012) 190x51 / 200x51
2	11.4115.106.050	Air Can Black Monarch/Plus RC3/RT/R(2011-2013) Monarch RT3(2011-2012) 200x57
2	11.4115.106.060	Air Can Black Monarch/Plus RC3/RT/R(2011-2013) Monarch RT3(2011-2012) 216x63
2	11.4115.106.070	Air Can Black Monarch/Plus RC3/RT/R(2011-2013) Monarch RT3(2011-2012) 222x66
3	11.4115.106.080	Air Can Black HIGH VOLUME Monarch/Plus RC3/RT/R(2011-2013) Monarch RT3 (2011-2012) 184x44
3	11.4115.106.090	Air Can Black HIGH VOLUME Monarch/Plus RC3/RT/R(2011-2013) Monarch RT3 (2011-2012) 190x51 / 200x51
3	11.4115.106.100	Air Can Black HIGH VOLUME Monarch/Plus RC3/RT/R(2011-2013) Monarch RT3 (2011-2012) 200x57
3	11.4115.106.110	Air Can Black HIGH VOLUME Monarch/Plus RC3/RT/R(2011-2013) Monarch RT3 (2011-2012) 216x63
3	11.4115.106.120	Air Can Black HIGH VOLUME Monarch/Plus RC3/RT/R(2011-2013) Monarch RT3 (2011-2012) 222x66
3	11.4115.106.250	Air Can Black High Volume HV4 2011-2013 Monarch/Plus 216x63
3	11.4115.106.260	Air Can Black High Volume HV3 2011-2013 Monarch/Plus 200x57
3	11.4115.106.270	Air Can Black High Volume HV6 2011-2013 Monarch/Plus 200x57
3	00.4018.783.004	Air Can Upgrade Kit - DebonAir 165X38 (includes air can, volume spacers, seals & decals) - B1 & Later (Monarch 2014+/RT32013+)
3	00.4018.783.005	Air Can Upgrade Kit - DebonAir 184X44 (includes air can, volume spacers, seals & decals) - B1 & Later (Monarch 2014+/RT32013+)
3	00.4018.783.006	Air Can Upgrade Kit - DebonAir 190/200X51 (includes air can, volume spacers, seals & decals) - B1 & Later (Monarch 2014+/RT3 2013+)
3	00.4018.783.007	Air Can Upgrade Kit - DebonAir 200X57 (includes air can, volume spacers, seals & decals) - B1 & Later (Monarch 2014+/RT32013+)
3	00.4018.783.008	Air Can Upgrade Kit - DebonAir 216X63 (includes air can, volume spacers, seals & decals) - B1 & Later (Monarch 2014+/RT32013+)
4	11.4115.117.010	Rebound Adjuster Assembly - Monarch Plus
5	11.4115.119.010	Compression Lever - Monarch Plus
7	11.4115.120.010	Reservoir Piston Assembly Medium - Monarch Plus RC3
7	11.4115.120.020	Reservoir Piston Assembly High - Monarch Plus RC3
8	11.4115.121.010	Reservoir Can Black - Monarch Plus A1/B1
8	11.4115.121.020	Reservoir Can White - Monarch Plus A1/B1
9	11.4115.122.010	Internal Floating Piston Assembly (reservoir) - Monarch Plus A1/BA
10	11.4115.123.010	Top Cap Assembly (for Reservoir, Black) - Monarch Plus A1/B1
10	11.4115.123.020	Top Cap Assembly (for Reservoir, White) - Monarch Plus A1/B1
11	11.4115.124.010	Air Valve Assembly (includes valve body, valve, valve cap) - Monarch/Monarch Plus
13	11.4115.127.010	Shaft Kit/Piston/Tune Kit - ML 190x51/200x51 - Monarch Plus (includes shaft separator, shaft, washer and seals)
13	11.4115.127.020	Shaft Kit/Piston/Tune Kit - MM 190x51/200x51 - Monarch Plus (includes shaft separator, shaft, washer and seals)
13	11.4115.127.030	Shaft Kit/Piston/Tune Kit - MH 190x51/200x51 - Monarch Plus (includes shaft separator, shaft, washer and seals)
13	11.4115.127.040	Shaft Kit/Piston/Tune Kit - ML 200x57/203x57 - Monarch Plus (includes shaft separator, shaft, washer and seals)
13	11.4115.127.050	Shaft Kit/Piston/Tune Kit - MM 200x57/203x57 - Monarch Plus (includes shaft separator, shaft, washer and seals)
13	11.4115.127.060	Shaft Kit/Piston/Tune Kit - MH 200x57/203x57 - Monarch Plus (includes shaft separator, shaft, washer and seals)
13	11.4115.127.070	Shaft Kit/Piston/Tune Kit - ML 216x63 - Monarch Plus (includes shaft separator, shaft, washer and seals)
13	11.4115.127.080	Shaft Kit/Piston/Tune Kit - MM 216x63 - Monarch Plus (includes shaft separator, shaft, washer and seals)
13	11.4115.127.090	Shaft Kit/Piston/Tune Kit - MH 216x63 - Monarch Plus (includes shaft separator, shaft, washer and seals)
13	11.4115.127.100	Shaft Kit/Piston/Tune Kit - MH3 216x63 - Monarch Plus (includes shaft separator, shaft, washer and seals)
13	11.4115.127.110	Shaft Kit/Piston/Tune Kit - ML 222x66 - Monarch Plus (includes shaft separator, shaft, washer and seals)
13	11.4115.127.120	Shaft Kit/Piston/Tune Kit - MM 222x66 - Monarch Plus (includes shaft separator, shaft, washer and seals)
13	11.4115.127.130	Shaft Kit/Piston/Tune Kit - MH 222x66 - Monarch Plus (includes shaft separator, shaft, washer and seals)
14	11.4115.110.010	Fixed Piston Assembly - Monarch 2012 RT3/2012-2013 RT R XX/2013 RL
15	11.4115.112.040	Damper Body/IFP - Monarch RT3/RL/RT/R 190x51
15	11.4115.112.050	Damper Body/IFP - Monarch RT3/RL/RT/R 200x51
15	11.4115.112.060	Damper Body/IFP - Monarch RT3/RL/RT/R 200x57
15	11.4115.112.070	Damper Body/IFP - Monarch RT3/RL/RT/R 203x57
15	11.4115.112.080	Damper Body/IFP - Monarch RT3/RL/RT/R 216x63
15	11.4115.112.090	Damper Body/IFP - Monarch RT3/RL/RT/R 222x66
16	11.4308.327.002	Schrader Valve Core Qty 2
17	11.4115.013.000	Rear Shock Eyelet Bushing 1/2" X 1/2" Qty 2
18	11.4115.129.010	Service Kit - Monarch Plus (does not include air can seals)
19	00.4315.032.240	AM Rear Shock Air Can Service Kit, Basic - Monarch/Monarch Plus (2012)
20	00.4315.032.250	AM Rear Shock Air Can High Volume Service Kit, Basic - Monarch/Monarch Plus (2012)
A	11.4118.042.000	Bottomless Ring Kit for Monarch/Vivid Air (includes volume adjust rings, qty 9)
ns	11.4318.003.200	Decal Kit Monarch Plus R White
ns	11.4318.003.201	Decal Kit Monarch Plus R Black
ns	11.4318.003.202	Decal Kit Monarch Plus R High Volume White
ns	11.4318.003.203	Decal Kit Monarch Plus R High Volume Black
ns	11.4318.003.204	Decal Kit Monarch Plus RC3 White
ns	11.4318.003.205	Decal Kit Monarch Plus RC3 Black
ns	11.4318.003.206	Decal Kit Monarch Plus RC3 High Volume White
ns	11.4318.003.207	Decal Kit Monarch Plus RC3 High Volume Black
ns	11.4115.115.010	Decal, Rear Shock, Tune (ML) - Vivid/Monarch Qty 10
ns	11.4115.115.020	Decal, Rear Shock, Tune (MM) - Vivid/Monarch Qty 10
ns	11.4115.115.030	Decal, Rear Shock, Tune (MH) - Vivid/Monarch Qty 10
ns	11.4115.115.040	Decal, Rear Shock, Tune (ML3) - Vivid/Monarch Qty 10
ns	11.4115.115.050	Decal, Rear Shock, Tune (MH3) - Vivid/Monarch Qty 10
ns	11.4115.115.060	Decal, Rear Shock, Tune (LL3) - Vivid/Monarch Qty 10
ns	11.4115.115.070	Decal, Rear Shock, Tune (LL) - Vivid/Monarch Qty 10
ns	11.4115.115.080	Decal, Rear Shock, Tune (LM) - Vivid/Monarch Qty 10
ns	11.4115.115.090	Decal, Rear Shock, Tune (LH) - Vivid/Monarch Qty 10
ns	11.4115.115.100	Decal, Rear Shock, Tune (LH3) - Vivid/Monarch Qty 10
ns	11.4115.115.110	Decal, Rear Shock, Tune (HL) - Vivid/Monarch Qty 10
ns	11.4115.115.120	Decal, Rear Shock, Tune (HL3) - Vivid/Monarch Qty 10
ns	11.4115.115.130	Decal, Rear Shock, Tune (HM) - Vivid/Monarch Qty 10
ns	11.4115.115.140	Decal, Rear Shock, Tune (HH) - Vivid/Monarch Qty 10
ns	11.4115.094.010	Lubricant, Rear Shock Air Can, Maxima 15W 50, 1 Liter Bottle
ns	00.4318.008.002	Grease RockShox Dynamic Seal Grease (PTFE) 1oz - Recommended for Service of Rear Shocks
ns	11.4315.004.020	RockShox Suspension Oil, 3wt 16oz Bottle - Rear Shock Damper/Charger Damper
ns	11.4315.021.050	RockShox Suspension Oil, 3wt 120ml Bottle - Rear Shock Damper/Charger Damper
22	00.4315.027.010	Air Valve Adapter Tool - RockShox Rear Shocks
23	00.4115.154.020	Rear Shock Vise blocks, 3 Hole for RockShox Monarch/Vivid/Vivid Air/Reverb
24	00.4315.026.010	1/2" x 1/2" Rear Shock Bushing Tool (Eyelet/SealHead) RockShox
ns	00.4315.023.010	High-Pressure Fork/Shock Pump (300 psi Max) RockShox
ns	00.4315.023.030	High-Pressure Fork/Shock Pump (600 psi Max) RockShox
ns	00.4315.023.040	High-Pressure Fork/Shock Pump (300 psi Max) RockShox Digital Gauge
ns	00.4315.022.010	Schrader Valve Removal Tool RockShox
25	00.4118.013.000	Rear Shock Body Vise blocks, RockShox Monarch

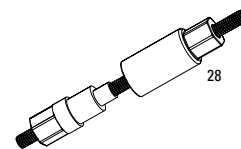
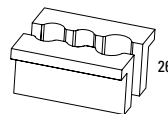
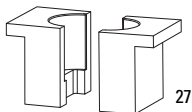
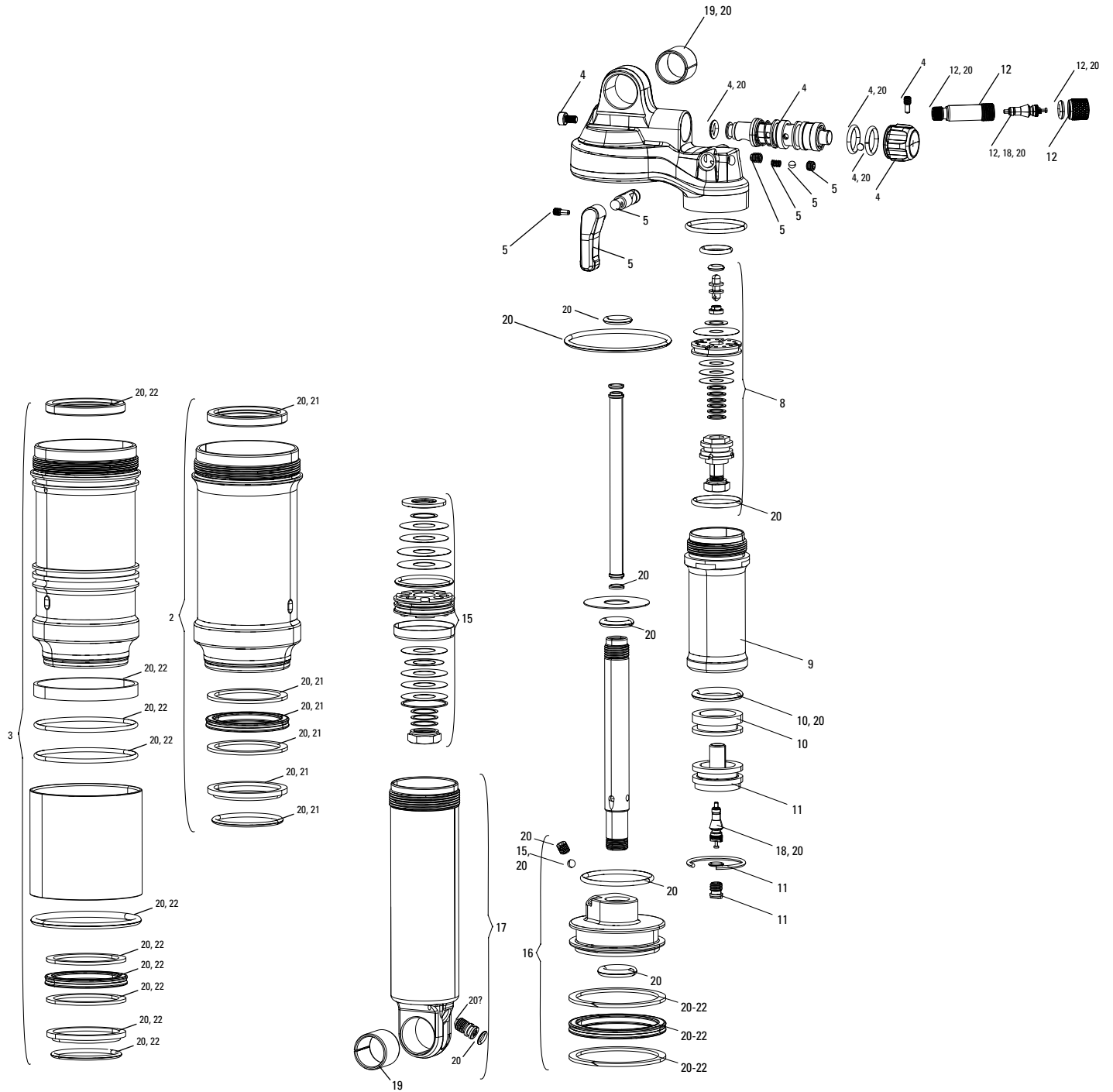
MONARCH PLUS (B1-B3/2014-2017)



Note:

1. All 2014+ Monarch Plus shocks are compatible with standard, DebonAir and high-volume air can assemblies; air can includes all seals installed.
2. Use '1/2"x1/2" Rear Shock Bushing/Mount Hardware Tool' to remove and install eyelet bushing and mounting hardware.

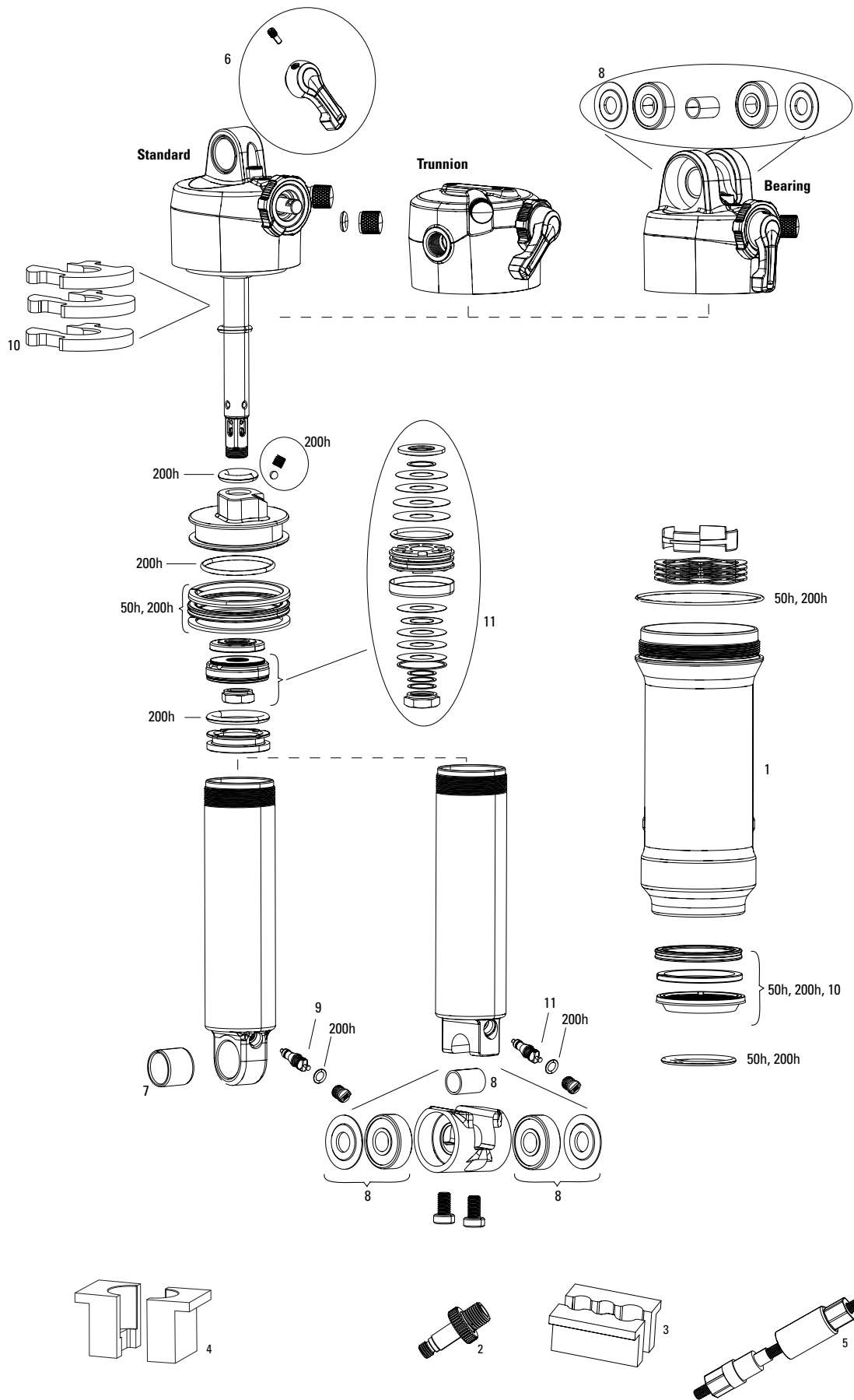
MONARCH PLUS RC3 (B1-B3/2014-2017)



MONARCH PLUS (B1-B3/2014-2017)



No.	Part Number	Description
2	11.4118.033.008	Air Can Assembly Monarch Black 152x31, B1(Plus,RL,XX), C1(R,RT,RT3) D1(RT3)
2	11.4118.033.009	Air Can Assembly Monarch Black 165x38, B1(Plus,RL,XX), C1(R,RT,RT3) D1(RT3)
2	11.4118.033.010	Air Can Assembly Monarch Black 184x44, B1(Plus,RL,XX), C1(R,RT,RT3) D1(RT3)
2	11.4118.033.011	Air Can Assembly Monarch Black 190x51/200x51, B1(Plus,RL,XX), C1(R,RT,RT3) D1(RT3)
2	11.4118.033.012	Air Can Assembly Monarch Black 200x57, B1(Plus,RL,XX), C1(R,RT,RT3) D1(RT3)
2	11.4118.033.013	Air Can Assembly Monarch Black 216x63, B1(Plus,RL,XX), C1(R,RT,RT3) D1(RT3)
3	11.4118.033.014	Air Can Assembly Monarch Black High Volume 165x38, B1(Plus,RL,XX), C1(R,RT,RT3)
3	11.4118.033.015	Air Can Assembly Monarch Black High Volume 190x51/200x51, B1(Plus,RL,XX), C1(R,RT,RT3)
3	11.4118.033.016	Air Can Assembly Monarch Black High Volume 200x57, B1(Plus,RL,XX), C1(R,RT,RT3)
3	11.4118.033.017	Air Can Assembly Monarch Black High Volume 216x63, B1(Plus,RL,XX), C1(R,RT,RT3)
3a	11.4118.033.028	Air Can Assembly Monarch Black Debonair (includes decals) 165x38, B1(Plus,RL,XX), C1(R,RT,RT3) D1(RT3)
3a	11.4118.033.029	Air Can Assembly Monarch Black Debonair (includes decals) 184x44, B1(Plus,RL,XX), C1(R,RT,RT3) D1(RT3)
3a	11.4118.033.030	Air Can Assembly Monarch Black Debonair (includes decals) 190x51/200x51, B1(Plus,RL,XX), C1(R,RT,RT3) D1(RT3)
3a	11.4118.033.031	Air Can Assembly Monarch Black Debonair (includes decals) 200x57, B1(Plus,RL,XX), C1(R,RT,RT3) D1(RT3)
3a	11.4118.033.032	Air Can Assembly Monarch Black Debonair (includes decals) 216x63, B1(Plus,RL,XX), C1(R,RT,RT3) D1(RT3)
3b	11.4418.001.001	Air Can With Autosag Black Monarch 197x48 2014
3c	11.4118.041.000	Monarch SBC Autosag Valve Assembly A1
3d	00.4018.783.004	Air Can Upgrade Kit - DebonAir 165X38 (includes air can, volume spacers, seals & decals) - B1 & Later (Monarch 2014+/RT32013+)
3d	00.4018.783.005	Air Can Upgrade Kit - DebonAir 184X44 (includes air can, volume spacers, seals & decals) - B1 & Later (Monarch 2014+/RT32013+)
3d	00.4018.783.006	Air Can Upgrade Kit - DebonAir 190/200X51 (includes air can, volume spacers, seals & decals) - B1 & Later (Monarch 2014+/RT3 2013+)
3d	00.4018.783.007	Air Can Upgrade Kit - DebonAir 200X57 (includes air can, volume spacers, seals & decals) - B1 & Later (Monarch 2014+/RT32013+)
3d	00.4018.783.008	Air Can Upgrade Kit - DebonAir 216X63 (includes air can, volume spacers, seals & decals) - B1 & Later (Monarch 2014+/RT32013+)
4	11.4115.117.020	Rebound Adjuster Assembly - Monarch Plus B1
5	11.4115.119.020	Compression Lever - Monarch Plus B1
8	11.4115.120.030	Reservoir Piston Assembly - Monarch Plus RC3 B1
9	11.4115.121.010	Reservoir Can Black - Monarch Plus A1/B1
9	11.4115.121.020	Reservoir Can White - Monarch Plus A1/B1
10	11.4115.122.010	Internal Floating Piston Assembly (reservoir) - Monarch PlusA1/BA
11	11.4115.123.010	Top Cap Assembly (for Reservoir, Black) - Monarch Plus A1/B1
11	11.4115.123.020	Top Cap Assembly (for Reservoir, White) - Monarch Plus A1/B1
12	11.4115.124.010	Air Valve Assembly (includes valve body, valve, valve cap) - Monarch/Monarch Plus
15	11.4118.023.051	Tune Assy, Monarch Plus Reb-Low/Comp-Low 3 (CF-60lbs), LF-320, B1
15	11.4118.023.052	Tune Assy, Monarch Plus Reb-Low/Comp-Low (CF-80lbs), LF-320, B1
15	11.4118.023.053	Tune Assy, Monarch Plus Reb-Low/Comp-Mid (CF-97lbs), LF-320, B1
15	11.4118.023.054	Tune Assy, Monarch Plus Reb-Low/Comp-High (CF-110lbs), LF-320, B1
15	11.4118.023.055	Tune Assy, Monarch Plus Reb-Mid/Comp-Low 3 (CF-60 lbs), LF-320, B1
15	11.4118.023.056	Tune Assy, Monarch Plus Reb-Mid/Comp-Low (CF-80lbs), LF-320, B1
15	11.4118.023.057	Tune Assy, Monarch Plus Reb-Mid/Comp-Mid (CF-97lbs), LF-320, B1
15	11.4118.023.058	Tune Assy, Monarch Plus Reb-Mid/Comp-High (CF-110lbs), LF-320, B1
15	11.4118.023.059	Tune Assy, Monarch Plus Reb-High/Comp-Low (CF-80lbs), LF-320, B1
15	11.4118.023.060	Tune Assy, Monarch Plus Reb-High/Comp-Mid (CF-97lbs), LF-320, B1
15	11.4118.023.061	Tune Assy, Monarch Plus Reb-High/Comp-High (CF-110lbs), LF-320, B1
16	11.4118.013.000	Fixed Piston Assembly - Monarch B1(Plus,RL,XX), C1(R,RT,RT3), D1(RT3)
17	11.4118.037.016	Damper Body/IFP Fast Black, 190X51 - Monarch 2014-2017
17	11.4118.037.017	Damper Body/IFP Fast Black, 200X51 - Monarch 2014-2017
17	11.4118.037.018	Damper Body/IFP Fast Black, 200X57 - Monarch 2014-2017
17	11.4118.037.019	Damper Body/IFP Fast Black, 203X57 - Monarch 2014-2017
17	11.4118.037.020	Damper Body/IFP Fast Black, 216X63 - Monarch 2014-2017
17	11.4118.037.024	Damper Body/IFP Fast Black, 210X60 - Monarch RT 2014-2015 TREK
17	11.4118.037.025	Damper Body/IFP Fast Black, 210X60 - Monarch Plus 2014-2015TREK Slash 27.5 (2012-2014)
17	11.4118.037.026	Damper Body/IFP Fast Black, 195X46 - Monarch 2014-2015 Stumpjumper Evo 29 (2012-2014)
17	11.4118.037.027	Damper Body/IFP Fast Black, 195X51 - Monarch 2014-2015 Stumpjumper Evo 26 (2012-2014)
17	11.4118.037.030	Damper Body/IFP Fast Black, 216X57 - Monarch 2014-2015 Enduro 29 (2013-2014)
17	11.4118.037.031	Damper Body/IFP Fast Black, 216X63 - Monarch 2014-2015 Enduro 26 (2013-2014)
18	11.4308.327.002	Schrader Valve Core Qty 2
19	11.4115.013.000	Rear Shock Eyelet Bushing 1/2"x1/2" Qty 2
20	11.4118.038.002	Service Kit Full - Monarch Plus B1(2014-2015)
21	00.4315.032.380	AM Rear Shock Air Can Service Kit, Basic - Monarch B1(Plus,XX,RL) C1 (R,RT3) D1 (2014-2016)
22	00.4315.032.390	AM Rear Shock Air Can Service Kit, Basic - Monarch High Volume B1(Plus,XX,RL) C1 (R,RT3) (2014-2015)
23	11.4418.002.000	Service Kit Basic- Monarch with Autosag Specialized B1
24	00.4315.032.540	AM Rear Shock Air Can Service Kit, Basic - Monarch DebonAir(2015-2016)
A	11.4118.042.000	Bottomless Ring Kit for Monarch/Vivid Air (includes volume adjust rings, qty 9)
ns	11.4318.003.253	Decal Kit Monarch Plus R/RC3 High Volume White Can 190/200 B1
ns	11.4318.003.254	Decal Kit Monarch Plus R/RC3 High Volume Black Can 190/200 B1
ns	11.4318.003.255	Decal Kit Monarch Plus R/RC3 High Volume White Can 216/222 B1
ns	11.4318.003.256	Decal Kit Monarch Plus R/RC3 High Volume Black Can 216/222 B1
ns	11.4318.003.451	Decal Kit Monarch Plus R/R DebonAir White/Black 190/200/216/222
ns	11.4318.003.452	Decal Kit Monarch Plus RC3/RC3 Debonair White/Black 190/200/216/222
ns	11.4115.115.010	Decal, Rear Shock, Tune (ML) - Vivid/Monarch Qty 10
ns	11.4115.115.020	Decal, Rear Shock, Tune (MM) - Vivid/Monarch Qty 10
ns	11.4115.115.030	Decal, Rear Shock, Tune (MH) - Vivid/Monarch Qty 10
ns	11.4115.115.040	Decal, Rear Shock, Tune (ML3) - Vivid/Monarch Qty 10
ns	11.4115.115.050	Decal, Rear Shock, Tune (MH3) - Vivid/Monarch Qty 10
ns	11.4115.115.060	Decal, Rear Shock, Tune (LL3) - Vivid/Monarch Qty 10
ns	11.4115.115.070	Decal, Rear Shock, Tune (LL) - Vivid/Monarch Qty 10
ns	11.4115.115.080	Decal, Rear Shock, Tune (LM) - Vivid/Monarch Qty 10
ns	11.4115.115.090	Decal, Rear Shock, Tune (LH) - Vivid/Monarch Qty 10
ns	11.4115.115.100	Decal, Rear Shock, Tune (LH3) - Vivid/Monarch Qty 10
ns	11.4115.115.110	Decal, Rear Shock, Tune (HL) - Vivid/Monarch Qty 10
ns	11.4115.115.120	Decal, Rear Shock, Tune (HL3) - Vivid/Monarch Qty 10
ns	11.4115.115.130	Decal, Rear Shock, Tune (HM) - Vivid/Monarch Qty 10
ns	11.4115.115.140	Decal, Rear Shock, Tune (HH) - Vivid/Monarch Qty 10
ns	11.4115.094.010	Lubricant, Rear Shock Air Can, Maxima 15W 50, 1 Liter Bottle
ns	00.4318.008.002	Grease RockShox Dynamic Seal Grease (PTFE) 1oz - Recommendedfor Service of Rear Shocks
ns	11.4315.004.020	RockShox Suspension Oil, 3wt 16oz Bottle - Rear Shock Damper/Charger Damper
ns	11.4315.021.050	RockShox Suspension Oil, 3wt 120ml Bottle - Rear Shock Damper/Charger Damper
25	00.4315.027.010	Air Valve Adapter Tool - RockShox Rear Shocks
26	00.4115.154.020	Rear Shock Vise blocks, 3 Hole for RockShox Monarch/Vivid/Vivid Air/Reverb
27	00.4118.013.000	Rear Shock Body Vise blocks, RockShox Monarch
28	00.4315.026.010	1/2"x1/2" Rear Shock Bushing Tool (Eyelet/SealHead) RockShox
ns	00.4315.023.010	High-Pressure Fork/Shock Pump (300 psi Max) RockShox
ns	00.4315.023.030	High-Pressure Fork/Shock Pump (600 psi Max) RockShox
ns	00.4315.023.040	High-Pressure Fork/Shock Pump (300 psi Max) RockShox DigitalGauge
ns	00.4315.022.010	Schrader Valve Removal Tool Rockshox





SERVICE KITS

No.	Part Number	Description
50h	00.4315.032.615	50 hour Service Kit (includes air can seals, piston seal, glide rings) - Deluxe/Super Delux (2017)
200h	00.4315.032.616	200 hour/1 year Service Kit (includes air can seals, piston seal, glide rings, IFP seals) - Deluxe (2017)

AIR CANS

No.	Part Number	Description
1	11.4118.033.033	Air Can Metric Solo Air Black 145/170X35 (includes decals) - Deluxe (2017+)
1	11.4118.033.034	Air Can Metric Solo Air Black 165/190X37.5-45 (includes decals) - Deluxe/Super Deluxe (2017+)
1	11.4118.033.035	Air Can Metric Solo Air Black 185/210X47.5-55 (includes decals) - Deluxe/Super Deluxe (2017+)
1	11.4118.033.036	Air Can Metric Solo Air Black 205/230X57.5-65 (includes decals) - Deluxe/Super Deluxe (2017+)
1	11.4118.033.037	Air Can Metric DebonAir Black 165/190X37.5-45 (includes decals) - Deluxe/Super Deluxe (2017+)
1	11.4118.033.038	Air Can Metric DebonAir Black 185/210X47.5-55 (includes decals) - Deluxe/Super Deluxe (2017+)
1	11.4118.033.039	Air Can Metric DebonAir Black 205/230X57.5-65 (includes decals) - Deluxe/Super Deluxe (2017+)

AIR PUMP/FLUID/GREASE/TOOLS

No.	Part Number	Description
ns	11.4115.094.010	Lubricant, Rear Shock Air Can, Maxima 15W 50, 1 Liter Bottle
ns	00.4318.008.002	Grease Rockshox Dynamic Seal Grease (PTFE) 1oz - Recommendedfor Service of Rear Shocks
ns	11.4315.004.020	RockShox Suspension Oil, 3wt 16oz Bottle - Rear Shock Damper/Charger Damper
ns	11.4315.021.050	RockShox Suspension Oil, 3wt 120ml Bottle - Rear Shock Damper/Charger Damper
2	00.4315.027.010	Air Valve Adapter Tool - RockShox Rear Shocks
3	00.4115.154.020	Rear Shock Vise blocks, 3 Hole for RockShox Monarch/Vivid/Vivid Air/Reverb
4	00.4318.012.006	Rear Shock Body Vise blocks, 28.58mm RockShox - Deluxe/Super Deluxe
5	00.4315.026.010	1/2" x1/2" Rear Shock Bushing Tool (Eyelet/SealHead) RockShox
ns	00.4315.023.010	High-Pressure Fork/Shock Pump (300 psi Max) RockShox
ns	00.4315.023.030	High-Pressure Fork/Shock Pump (600 psi Max) RockShox
ns	00.4315.023.040	High-Pressure Fork/Shock Pump (300 psi Max) RockShox DigitalGauge
ns	00.4315.022.010	Schrader Valve Removal Tool Rockshox

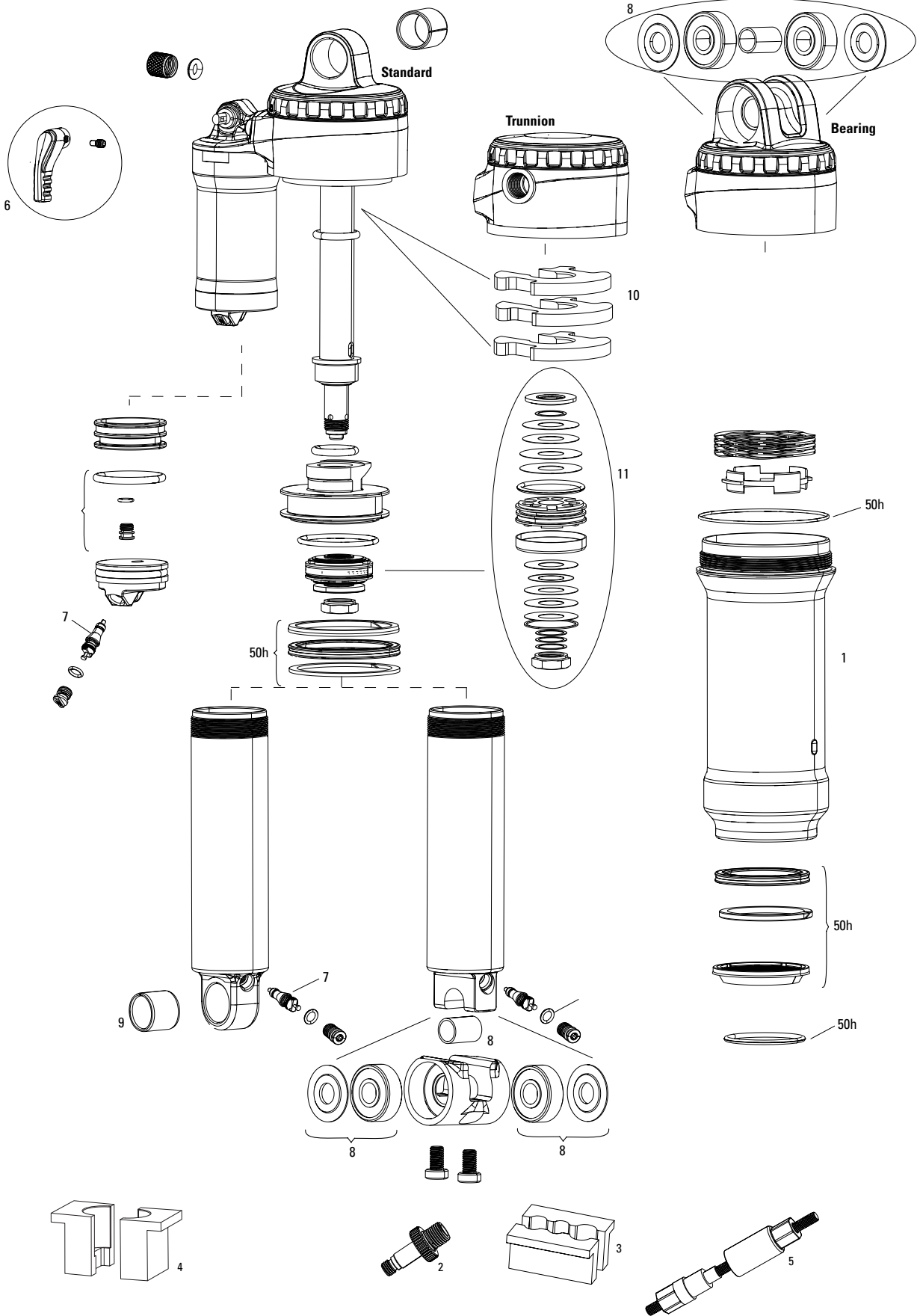
SPARE PARTS

No.	Part Number	Description
6	11.4115.107.080	Compression Knob - Deluxe RT3 A1 (2017+)
7	11.4115.013.000	Rear Shock Eyelet Bushing 1/2"X1/2" Qty 2
8	11.4118.046.000	Rear Shock Bearing with Spacers (Includes bearings and spacers for BR eyelets) - Deluxe/Super Deluxe BR (2017+)
9	11.4308.327.002	Schrader Valve Core Qty 2

TUNE ASSEMBLIES

No.	Part Number	Description
10	11.4118.042.001	Volume Reducer Kit (Includes volume reducers, qty 3) - Super Deluxe/ Deluxe (2017+)
11	11.4118.023.051	Tune Assy, Monarch Plus Reb-Low/Comp-Low 3 (CF-60lbs), LF-320, B1
11	11.4118.023.052	Tune Assy, Monarch Plus Reb-Low/Comp-Low (CF-80lbs), LF-320, B1
11	11.4118.023.053	Tune Assy, Monarch Plus Reb-Low/Comp-Mid (CF-97lbs), LF-320, B1
11	11.4118.023.054	Tune Assy, Monarch Plus Reb-Low/Comp-High (CF-110lbs), LF-320, B1
11	11.4118.023.055	Tune Assy, Monarch Plus Reb-Mid/Comp-Low 3 (CF-60 lbs), LF-320, B1
11	11.4118.023.056	Tune Assy, Monarch Plus Reb-Mid/Comp-Low (CF-80lbs), LF-320, B1
11	11.4118.023.057	Tune Assy, Monarch Plus Reb-Mid/Comp-Mid (CF-97lbs), LF-320, B1
11	11.4118.023.058	Tune Assy, Monarch Plus Reb-Mid/Comp-High (CF-110lbs), LF-320, B1
11	11.4118.023.059	Tune Assy, Monarch Plus Reb-High/Comp-Low (CF-80lbs), LF-320, B1
11	11.4118.023.060	Tune Assy, Monarch Plus Reb-High/Comp-Mid (CF-97lbs), LF-320, B1
11	11.4118.023.061	Tune Assy, Monarch Plus Reb-High/Comp-High (CF-110lbs), LF-320, B1

SUPER DELUXE RC3 (A1/2017)





SERVICE KITS

No.	Part Number	Description
50h	00.4315.032.615	50 hour Service Kit (includes air can seals, piston seal, glide rings) - Deluxe/Super Delux (2017)

NOTE: To complete the 200 hour damper service, the shock will need to be sent to an authorized RockShox service center.

AIR CANS

No.	Part Number	Description
1	11.4118.033.033	Air Can Metric Solo Air Black 145/170X35 (includes decals) - Deluxe (2017+)
1	11.4118.033.034	Air Can Metric Solo Air Black 165/190X37.5-45 (includes decals) - Deluxe/Super Deluxe (2017+)
1	11.4118.033.035	Air Can Metric Solo Air Black 185/210X47.5-55 (includes decals) - Deluxe/Super Deluxe (2017+)
1	11.4118.033.036	Air Can Metric Solo Air Black 205/230X57.5-65 (includes decals) - Deluxe/Super Deluxe (2017+)
1	11.4118.033.037	Air Can Metric DebonAir Black 165/190X37.5-45 (includes decals) - Deluxe/Super Deluxe (2017+)
1	11.4118.033.038	Air Can Metric DebonAir Black 185/210X47.5-55 (includes decals) - Deluxe/Super Deluxe (2017+)
1	11.4118.033.039	Air Can Metric DebonAir Black 205/230X57.5-65 (includes decals) - Deluxe/Super Deluxe (2017+)

AIR PUMP/FLUID/GREASE/TOOLS

No.	Part Number	Description
ns	11.4115.094.010	Lubricant, Rear Shock Air Can, Maxima 15W 50, 1 Liter Bottle
ns	00.4318.008.002	Grease Rockshox Dynamic Seal Grease (PTFE) 1oz - Recommended for Service of Rear Shocks
ns	11.4315.004.020	RockShox Suspension Oil, 3wt 16oz Bottle - Rear Shock Damper/Charger Damper
ns	11.4315.021.050	RockShox Suspension Oil, 3wt 120ml Bottle - Rear Shock Damper/Charger Damper
2	00.4315.027.010	Air Valve Adapter Tool - RockShox Rear Shocks
3	00.4115.154.020	Rear Shock Vise blocks, 3 Hole for RockShox Monarch/Vivid/Vivid Air/Reverb
4	00.4318.012.006	Rear Shock Body Vise blocks, 28.58mm RockShox - Deluxe/Super Deluxe
5	00.4315.026.010	1/2"x1/2" Rear Shock Bushing Tool (Eyelet/SealHead) RockShox
ns	00.4315.023.010	High-Pressure Fork/Shock Pump (300 psi Max) RockShox
ns	00.4315.023.030	High-Pressure Fork/Shock Pump (600 psi Max) RockShox
ns	00.4315.023.040	High-Pressure Fork/Shock Pump (300 psi Max) RockShox Digital Gauge
ns	00.4315.022.010	Schrader Valve Removal Tool Rockshox

SPARE PARTS

No.	Part Number	Description
6	11.4115.107.070	Compression Knob - Super Deluxe A1 (2017+)
7	11.4308.327.002	Schrader Valve Core Qty 2
8	11.4118.046.000	Rear Shock Bearing with Spacers (Includes bearings and spacers for BR eyelets) - Deluxe/Super Deluxe BR (2017+)
9	11.4115.013.000	Rear Shock Eyelet Bushing 1/2"x1/2" Qty 2

TUNE ASSEMBLIES

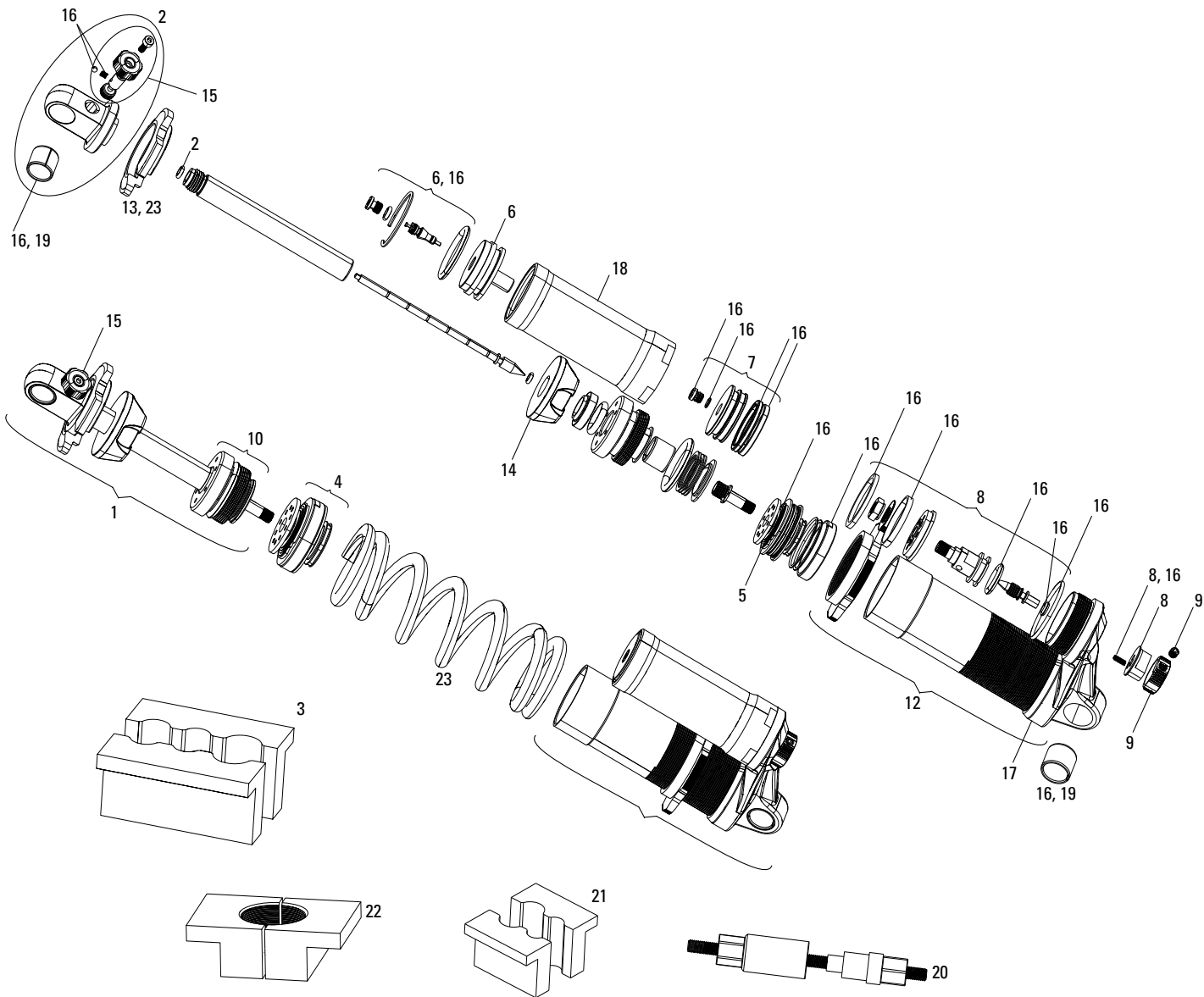
No.	Part Number	Description
10	11.4118.042.001	Volume Reducer Kit (Includes volume reducers, qty 3) - Super Deluxe/ Deluxe (2017+)
11	11.4118.023.051	Tune Assy, Monarch Plus Reb-Low/Comp-Low 3 (CF-60lbs), LF-320, B1
11	11.4118.023.052	Tune Assy, Monarch Plus Reb-Low/Comp-Low (CF-80lbs), LF-320, B1
11	11.4118.023.053	Tune Assy, Monarch Plus Reb-Low/Comp-Mid (CF-97lbs), LF-320, B1
11	11.4118.023.054	Tune Assy, Monarch Plus Reb-Low/Comp-High (CF-110lbs), LF-320, B1
11	11.4118.023.055	Tune Assy, Monarch Plus Reb-Mid/Comp-Low 3 (CF-60 lbs), LF-320, B1
11	11.4118.023.056	Tune Assy, Monarch Plus Reb-Mid/Comp-Low (CF-80lbs), LF-320, B1
11	11.4118.023.057	Tune Assy, Monarch Plus Reb-Mid/Comp-Mid (CF-97lbs), LF-320, B1
11	11.4118.023.058	Tune Assy, Monarch Plus Reb-Mid/Comp-High (CF-110lbs), LF-320, B1
11	11.4118.023.059	Tune Assy, Monarch Plus Reb-High/Comp-Low (CF-80lbs), LF-320, B1
11	11.4118.023.060	Tune Assy, Monarch Plus Reb-High/Comp-Mid (CF-97lbs), LF-320, B1
11	11.4118.023.061	Tune Assy, Monarch Plus Reb-High/Comp-High (CF-110lbs), LF-320, B1

MOUNTING HARDWARE - METRIC

Part Number	Description
00.4118.159.000	Rear Shock Mounting Hardware Metric 6X15mm 3-piece (1 set)
00.4118.159.001	Rear Shock Mounting Hardware Metric 6X20mm 3-piece (1 set)
00.4118.159.002	Rear Shock Mounting Hardware Metric 6X25mm 3-piece (1 set)
00.4118.159.003	Rear Shock Mounting Hardware Metric 6X30mm 3-piece (1 set)
00.4118.159.004	Rear Shock Mounting Hardware Metric 6X35mm 3-piece (1 set)
00.4118.159.005	Rear Shock Mounting Hardware Metric 6X40mm 3-piece (1 set)
00.4118.159.006	Rear Shock Mounting Hardware Metric 6X45mm 3-piece (1 set)
00.4118.159.007	Rear Shock Mounting Hardware Metric 8X15mm 3-piece (1 set)
00.4118.159.008	Rear Shock Mounting Hardware Metric 8X20mm 3-piece (1 set)
00.4118.159.009	Rear Shock Mounting Hardware Metric 8X25mm 3-piece (1 set)
00.4118.159.010	Rear Shock Mounting Hardware Metric 8X30mm 3-piece (1 set)
00.4118.159.011	Rear Shock Mounting Hardware Metric 8X35mm 3-piece (1 set)
00.4118.159.012	Rear Shock Mounting Hardware Metric 8X40mm 3-piece (1 set)
00.4118.159.013	Rear Shock Mounting Hardware Metric 8X45mm 3-piece (1 set)
00.4118.159.014	Rear Shock Mounting Hardware Metric 10X15mm 3-piece (1 set)
00.4118.159.015	Rear Shock Mounting Hardware Metric 10X20mm 3-piece (1 set)
00.4118.159.016	Rear Shock Mounting Hardware Metric 10X25mm 3-piece (1 set)
00.4118.159.017	Rear Shock Mounting Hardware Metric 10X30mm 3-piece (1 set)
00.4118.159.018	Rear Shock Mounting Hardware Metric 10X35mm 3-piece (1 set)
00.4118.159.019	Rear Shock Mounting Hardware Metric 10X40mm 3-piece (1 set)
00.4118.159.020	Rear Shock Mounting Hardware Metric 10X45mm 3-piece (1 set)
00.4118.159.021	Rear Shock Mounting Hardware Metric 8X50mm 3-piece (1 set) Off Set - Trek Aluminum
00.4118.159.022	Rear Shock Mounting Hardware Metric 10X50mm 3-piece (1 set) Off Set - Trek Carbon

Note:

1. In 2017, the only Rock Shox models using metric hardware include Super Deluxe and Deluxe.



Note:

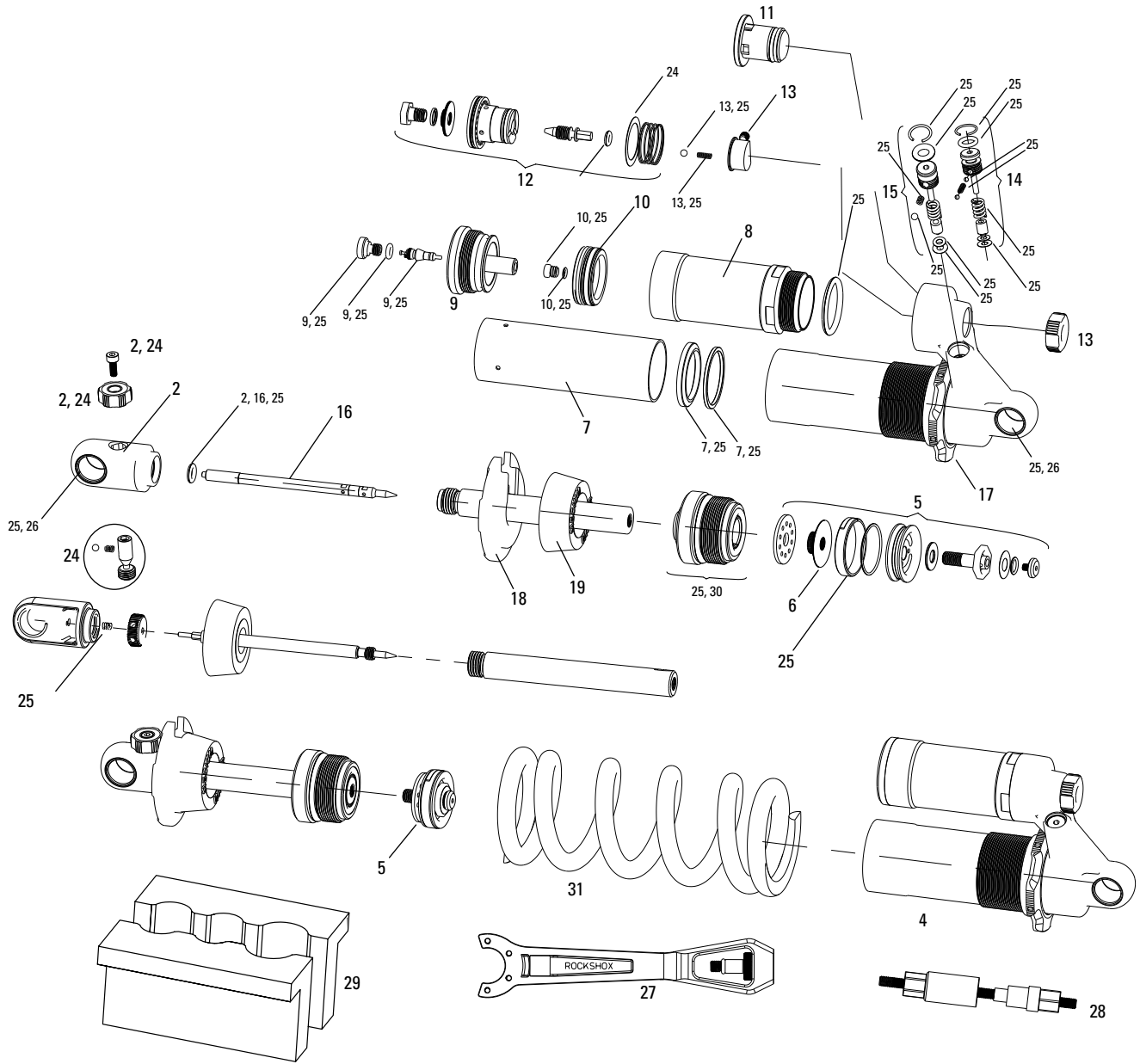
1. Not all service parts may be visible in exploded views. Kage Service Kit includes all o-rings, seals, glide rings, ball bearings, and detent springs.
2. Eyelet/Shaft/Sealhead assembly (item 1) does not include spring retainer.
3. Pre-2013 - If shaft / needle o-rings need to be replaced/serviced, must update to new improved Eyelet/Shaft/Sealhead assembly.
4. Kage rear shocks produced after 1 January 2013: If shaft / needle o-rings need to be replaced/serviced, must replace entire Eyelet/Shaft/Sealhead assembly.
5. Kage rear shocks produced after 1 January 2013: Feature a green sealhead scraper that is not compatible with Kage shocks produced before 1 January 2013.
6. Vivid spring is compatible with Kage. Vivid spring collar/retainer is not compatible with Kage.
7. Use 1/2"x1/2" Rear Shock Bushing/Mount Hardware Tool* to remove and install eyelet bushing and mounting hardware.

No.	Part Number	Description
1	11.4118.016.000	Eyelet/Shaft/SealHead Assy, Kage RC, 90 degree rebound, 200X57 Low, 2013 (Compatible with Earlier Kage Editions)
1	11.4118.016.001	Eyelet/Shaft/SealHead Assy, Kage RC, 90 degree rebound, 200X57 Medium, 2013 (Compatible with Earlier Kage Editions)
1	11.4118.016.002	Eyelet/Shaft/SealHead Assy, Kage RC, 90 degree rebound, 200X57 High, 2013 (Compatible with Earlier Kage Editions)
1	11.4118.016.003	Eyelet/Shaft/SealHead Assy, Kage RC, 90 degree rebound, 216X63.5Low, 2013 (Compatible with Earlier Kage Editions)
1	11.4118.016.004	Eyelet/Shaft/SealHead Assy, Kage RC, 90 degree rebound, 216X63.5Medium, 2013 (Compatible with Earlier Kage Editions)
1	11.4118.016.005	Eyelet/Shaft/SealHead Assy, Kage RC, 90 degree rebound, 216X63.5High, 2013 (Compatible with Earlier Kage Editions)
1	11.4118.016.006	Eyelet/Shaft/SealHead Assy, Kage RC, 90 degree rebound, 222X70 Low, 2013 (Compatible with Earlier Kage Editions)
1	11.4118.016.007	Eyelet/Shaft/SealHead Assy, Kage RC, 90 degree rebound, 222X70 Medium, 2013 (Compatible with Earlier Kage Editions)
1	11.4118.016.008	Eyelet/Shaft/SealHead Assy, Kage RC, 90 degree rebound, 222X70 High, 2013 (Compatible with Earlier Kage Editions)
1	11.4118.016.009	Eyelet/Shaft/SealHead Assy, Kage RC, 90 degree rebound, 240X76 Low, 2013 (Compatible with Earlier Kage Editions)
1	11.4118.016.010	Eyelet/Shaft/SealHead Assy, Kage RC, 90 degree rebound, 240X76 Medium, 2013 (Compatible with Earlier Kage Editions)
1	11.4118.016.011	Eyelet/Shaft/SealHead Assy, Kage RC, 90 degree rebound, 240X76 High, 2013 (Compatible with Earlier Kage Editions)
1	11.4118.016.012	Eyelet/Shaft/SealHead Assy, Kage RC, 90 degree rebound, 267X89 Low 3/Low, 2013 (Compatible with Earlier Kage Editions)
2	11.4115.138.000	Shaft Eyelet/Rebound Adjuster Knob Assembly KAGE

KAGE (A1-A3/2012-2017)



No.	Part Number	Description
3	11.4115.139.000	Damper Body/Reservoir Assy, 200X57 (assembled) Kage RC
3	11.4115.139.010	Damper Body/Reservoir Assy, 216x63.5/222x70 (assembled) KageRC
3	11.4115.139.020	Damper Body/Reservoir Assy, 240x76 (assembled) Kage RC
3	11.4115.139.030	Damper Body/Reservoir Assy, 267X89 (assembled) Kage RC
4	11.4115.140.000	Main Piston Assy, Low, KAGE
4	11.4115.140.010	Main Piston Assy, Mid, KAGE
4	11.4115.140.020	Main Piston Assy, High, KAGE
5	11.4115.141.000	Piston Shim Stack, Low, KAGE
5	11.4115.141.010	Piston Shim Stack, Mid, KAGE
5	11.4115.141.020	Piston Shim Stack, High, KAGE
6	11.4115.136.000	Reservoir Cap Assy (assembled) - KAGE
7	11.4115.082.010	Reservoir Internal Floating Piston Assy, Kage/Vivid/Vivid Air
8	11.4115.144.000	Low Speed Compression Valve Assy (assembled) - KAGE
9	11.4115.145.000	Compression Valve Assy (assembled) - KAGE
10	11.4118.017.000	Sealhead Assy Shock Body (assembled) KAGE 13 (Produced after Jan 1st 2013, Green Sealhead Scraper) Not compatible with pre 2013 editions
12	11.4115.148.000	Shock Body / Threaded Collar Assy, includes O-ring KAGE 200
12	11.4115.148.010	Shock Body / Threaded Collar Assy, includes O-ring KAGE 2215 222
12	11.4115.148.020	Shock Body / Threaded Collar Assy, includes O-ring KAGE 240
12	11.4115.148.030	Shock Body / Threaded Collar Assy, includes O-ring KAGE 267
13	11.4115.149.000	Spring Collar/Retainer Aluminum - KAGE
14	11.4115.150.000	Bottom Out Bumper Kage
15	11.4115.085.010	Rebound Adjust Knob Kit 2011 Vivid/Vivid Air/KAGE (not compatible 2009-2010)
16	11.4118.018.000	Service Kit KAGE 13 (Produced after Jan 1st 2013, Green Sealhead Scraper) Not compatible with pre 2013 editions
17	11.4115.152.000	Reservoir Housing Kage R
17	11.4115.152.010	Reservoir Housing Kage RC
18	11.4115.142.000	Reservoir Can Kage
ns	11.4318.003.453	Decal Kit Kage R/RC White/Black 200/216/222/240/267
ns	11.4115.115.010	Decal, Rear Shock, Tune (ML) - Vivid/Monarch Qty 10
ns	11.4115.115.020	Decal, Rear Shock, Tune (MM) - Vivid/Monarch Qty 10
ns	11.4115.115.030	Decal, Rear Shock, Tune (MH) - Vivid/Monarch Qty 10
19	11.4115.013.000	Rear Shock Eyelet Bushing 1/2"X1/2" Qty 2
20	00.4315.026.010	1/2" x1/2" Rear Shock Bushing Tool (Eyelet/SealHead) RockShox
21	00.4115.154.020	Rear Shock Vise blocks, 3 Hole for RockShox Monarch/Vivid/Vivid Air/Reverb
22	00.4115.185.000	Rear Shock Body Vise blocks, RockShox Kage/Vivid
ns	11.4315.004.020	RockShox Suspension Oil, 3wt 16oz Bottle - Rear Shock Damper/Charger Damper
ns	11.4315.021.050	RockShox Suspension Oil, 3wt 120ml Bottle - Rear Shock Damper/Charger Damper
ns	00.4315.014.010	Grease, PM600 Military Grease 14oz (for oring seals)
23	00.4118.026.000	Spring Grey Vivid/Kage 300lb 200x51/57
23	00.4118.026.001	Spring Grey Vivid/Kage 350lb 200x51/57
23	00.4118.026.002	Spring Grey Vivid/Kage 400lb 200x51/57
23	00.4118.026.003	Spring Grey Vivid/Kage 450lb 200x51/57
23	00.4118.026.004	Spring Grey Vivid/Kage 500lb 200x51/57
23	00.4118.026.005	Spring Grey Vivid/Kage 550lb 200x51/57
23	00.4118.026.006	Spring Grey Vivid/Kage 600lb 200x51/57
23	00.4118.026.007	Spring Grey Vivid/Kage 650lb 200x51/57
23	00.4118.026.008	Spring Grey Vivid/Kage 250lb 216/222x70
23	00.4118.026.009	Spring Grey Vivid/Kage 300lb 216/222x70
23	00.4118.026.010	Spring Grey Vivid/Kage 350lb 216/222x70
23	00.4118.026.011	Spring Grey Vivid/Kage 400lb 216/222x70
23	00.4118.026.012	Spring Grey Vivid/Kage 450lb 216/222x70
23	00.4118.026.013	Spring Grey Vivid/Kage 500lb 216/222x70
23	00.4118.026.014	Spring Grey Vivid/Kage 550lb 216/222x70
23	00.4118.026.015	Spring Grey Vivid/Kage 600lb 216/222x70
23	00.4118.026.016	Spring Grey Vivid/Kage 650lb 216/222x70
23	00.4118.026.017	Spring Grey Vivid/Kage 200lb 240x76
23	00.4118.026.018	Spring Grey Vivid/Kage 250lb 240x76
23	00.4118.026.019	Spring Grey Vivid/Kage 300lb 240x76
23	00.4118.026.020	Spring Grey Vivid/Kage 350lb 240x76
23	00.4118.026.021	Spring Grey Vivid/Kage 400lb 240x76
23	00.4118.026.022	Spring Grey Vivid/Kage 450lb 240x76
23	00.4118.026.023	Spring Grey Vivid/Kage 500lb 240x76
23	00.4118.026.024	Spring Grey Vivid/Kage 550lb 240x76
23	00.4118.026.025	Spring Grey Vivid/Kage 600lb 240x76
23	00.4118.026.026	Spring Grey Vivid/Kage 200lb 267x89
23	00.4118.026.027	Spring Grey Vivid/Kage 250lb 267x89
23	00.4118.026.035	Spring Grey Vivid Kage 275lb 267x89
23	00.4118.026.028	Spring Grey Vivid/Kage 300lb 267x89
23	00.4118.026.029	Spring Grey Vivid/Kage 350lb 267x89
23	00.4118.026.030	Spring Grey Vivid/Kage 400lb 267x89
23	00.4118.026.031	Spring Grey Vivid/Kage 450lb 267x89
23	00.4118.026.032	Spring Grey Vivid/Kage 500lb 267x89
23	00.4118.026.033	Spring Grey Vivid/Kage 550lb 267x89



Note:

1. Not all service parts may be visible in exploded views. Vivid Service Kit includes all o-rings, seals, glide rings, ball bearings, and detent springs.
2. Please note all model year identification in kit descriptions for compatibility.
3. Use appropriate aluminum spring collar/retainer (item 18) with spring rates 250lb - 500 lb. Use appropriate Steel spring collar/retainer (item 18) with spring rates 550lb - 650lb. See chart for reference.
4. Please refer to the Spring / Collar / Retainer Guide for the correct spring collar/retainer.
5. Use "1/2"x1/2" Rear Shock Bushing/Mount Hardware Tool" to remove and install eyelet bushing and mounting hardware.
6. Full Service kits contain updated sealhead assembly.

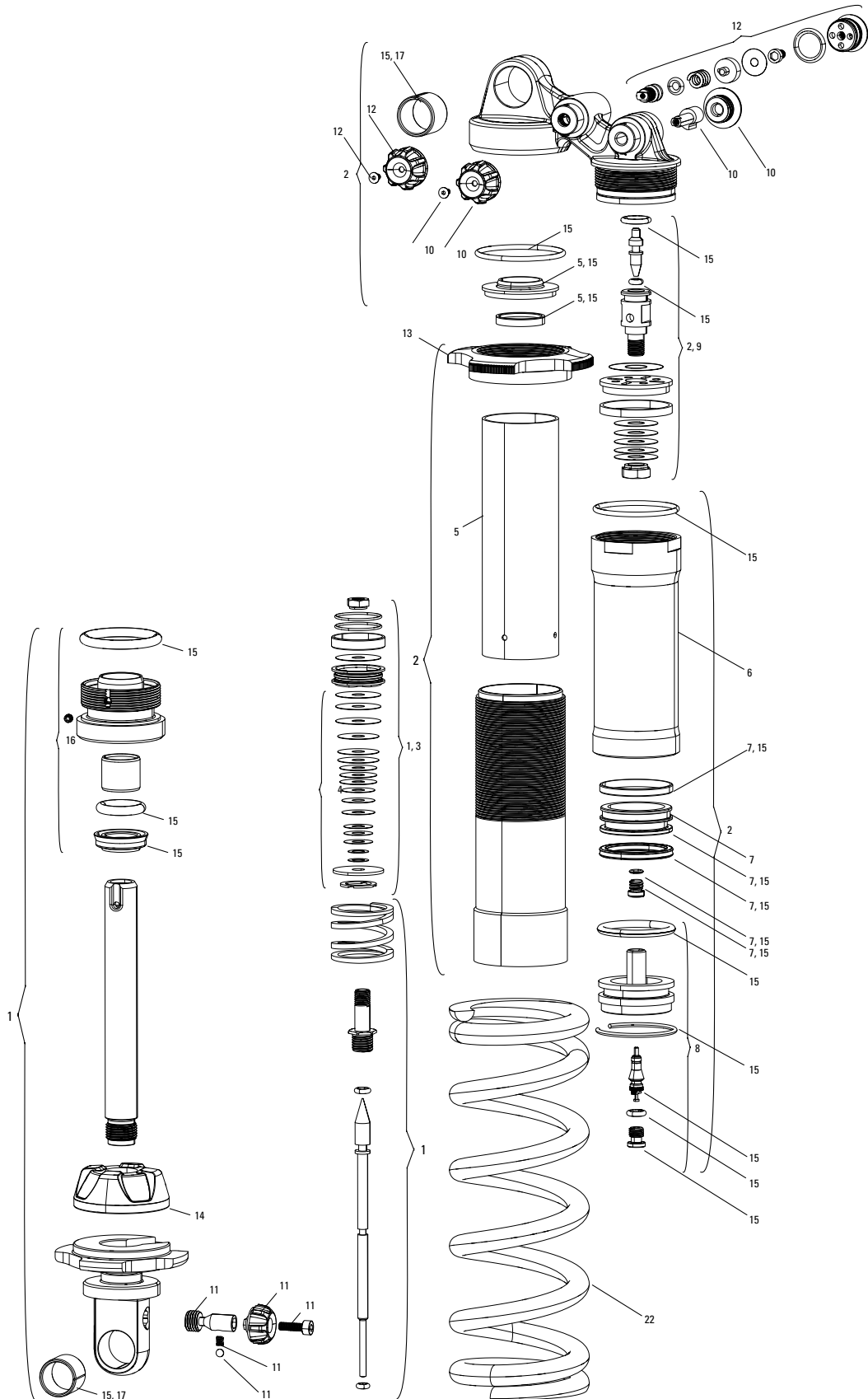
Spring / Collar/Retainer Guide		Shock Stroke					
		51mm 2.0in	57mm 2.25in	63mm 2.5in	70mm 2.75in	76mm 3.0in	89mm 3.5in
Spring Weight	200lb						
	250lb		n/a	n/a			
	300lb						
	350lb						
	400lb			Aluminum	Aluminum	Aluminum	
	450lb		Aluminum				
	500lb					Steel	
	550lb			Steel	Steel		
600lb		Steel					
650lb			n/a	n/a	n/a		

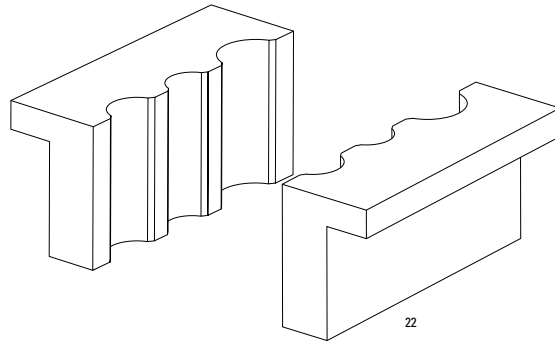
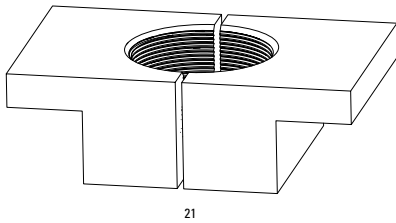
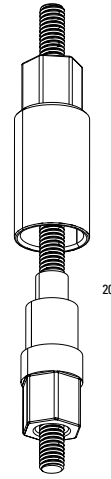
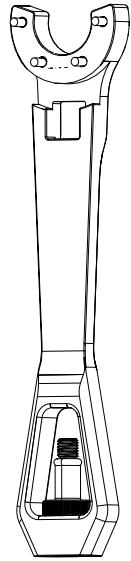
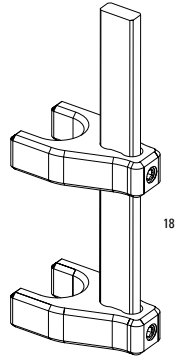


No.	Part Number	Description
ns	11.4315.004.020	RockShox Suspension Oil, 3wt 16oz Bottle - Rear Shock Damper/Charger Damper
ns	11.4315.021.050	RockShox Suspension Oil, 3wt 120ml Bottle - Rear Shock Damper/Charger Damper
ns	00.4315.014.010	Grease, PM600 Military Grease 14oz (for oring seals)
2	11.4115.077.010	Shaft Eyelet/Rebound Adjuster Knob Assembly (Standard) 2011 Vivid R2C
2	11.4115.077.020	Shaft Eyelet/Rebound Adjuster Knob Assembly (203x57) 2011 Vivid R2C
2	11.4115.077.030	Shaft Eyelet/Rebound Adjuster Knob Assembly (229x70) 2011 Vivid R2C
4	11.4115.079.010	Damper Body/Reservoir Assy, 200x57/203x57 (assembled) 2011 Vivid R2C (compatible with 2009-2010)
4	11.4115.079.020	Damper Body/Reservoir Assy, 216x63/222x70/229x70 (assembled) 2011 Vivid R2C (compatible with 2009-2010)
4	11.4115.079.030	Damper Body/Reservoir Assy, 240x76 (assembled) 2011 Vivid R2C (compatible with 2009-2010)
4	11.4115.079.040	Damper Body/Reservoir Assy, 267x89 (assembled) 2011 Vivid R2C (compatible with 2009-2010)
ns	11.4115.079.050	Damper Body/Reservoir Assy, 200x57/203x57 (assembled) 2011 Vivid R2 (compatible with 2009-2010)
ns	11.4115.079.060	Damper Body/Reservoir Assy, 216x63/222x70/229x79 (assembled) 2011 Vivid R2 (compatible with 2009-2010)
ns	11.4115.079.070	Damper Body/Reservoir Assy, 240x76 (assembled) 2011 Vivid R2 (compatible with 2009-2010)
ns	11.4115.079.080	Damper Body/Reservoir Assy, 267x89 (assembled) 2011 Vivid R2 (compatible with 2009-2010)
5	11.4115.080.010	Main Piston Assy, Low, 2011 Vivid R2C
5	11.4115.080.020	Main Piston Assy, Mid, 2011 Vivid R2C
5	11.4115.080.030	Main Piston Assy, High, 2011 Vivid R2C
5	11.4115.080.040	Main Piston Assy, Low, 2011 Vivid R2
5	11.4115.080.050	Main Piston Assy, Mid, 2011 Vivid R2
5	11.4115.080.060	Main Piston Assy, High, 2011 Vivid R2
5	11.4115.080.070	Main Piston Assy, Low, 2011 Vivid Coil R2C (267x89), 2011 Vivid Air R2C
6	11.4115.081.010	Piston Shim Stack, Low, 2011 Vivid R2C
6	11.4115.081.020	Piston Shim Stack, Mid, 2011 Vivid R2C
6	11.4115.081.030	Piston Shim Stack, High, 2011 Vivid R2C
6	11.4115.081.040	Piston Shim Stack, Low, 2011 Vivid R2
6	11.4115.081.050	Piston Shim Stack, Mid, 2011 Vivid R2
6	11.4115.081.060	Piston Shim Stack, High, 2011 Vivid R2
6	11.4115.081.070	Piston Shim Stack, Low, 2011 Vivid R2C (267x89), 2011 Vivid Air R2C
7	11.4115.091.010	Inner Tube/Rings, Shock Body (200mm/203mm) - 2009-2011 Vivid/Vivid Air
7	11.4115.091.020	Inner Tube/Rings, Shock Body (216mm/222mm/229mm) - 2009-2011 Vivid/Vivid Air
7	11.4115.091.030	Inner Tube/Rings, Shock Body (240mm) - 2009-2011 Vivid/Vivid Air
7	11.4115.091.040	Inner Tube/Rings, Shock Body (267mm) - 2010-2011 Vivid
8	11.4115.021.020	Reservoir Can, Qty 1 (200/203/216/222/229/240) 2011 Vivid/Vivid Air
8	11.4115.021.030	Reservoir Can, Qty 1 Long (267mm) 2011 Vivid
9	11.4115.022.000	Reservoir Sealhead Assy (assembled) - 2009-2011 Vivid/Vivid Air
10	11.4115.082.010	Reservoir Internal Floating Piston Assy, Kage/Vivid/Vivid Air
11	11.4115.024.000	Compression Conversion Cover (no compression adjust) - 2009-2011 Vivid/Vivid Air 4.1/R2
12	11.4115.025.000	Compression Adjust Piston Assy (assembled) - 2009-2011 Vivid/Vivid Air 5.1/R2C
13	11.4115.026.000	Compression Adjuster Knob Assy - 2009-2011 Vivid/Vivid Air 5.1/R2C
14	11.4115.027.000	End Stroke Rebound Adjuster Assy - 2009-2010 Vivid 4.1/5.1
15	11.4115.090.010	End Stroke Rebound Adjuster Assy - 2011 Vivid/Vivid Air (not compatible with 2009-2010)
16	11.4115.083.010	Hot Rod Adjuster Needle & O-Ring (200x51, 200x57, 203x57) - 2011 Vivid/Vivid Air
16	11.4115.083.020	Hot Rod Adjuster Needle & O-Ring (216x60, 216x63) - 2011 Vivid/Vivid Air
16	11.4115.083.030	Hot Rod Adjuster Needle & O-Ring (222x70, 229x70) - 2011 Vivid/Vivid Air
16	11.4115.083.040	Hot Rod Adjuster Needle & O-Ring (240x76) - 2011 Vivid/Vivid Air
17	11.4115.028.000	Threaded Spring Collar - Vivid
18	11.4115.029.000	Spring Collar/Retainer Aluminum (200lb-500lb) - Vivid
18	11.4115.061.000	Spring Collar/Retainer Steel HD (550LB+) - Vivid
19	11.4115.030.000	Drop Stop Bumper Set (Soft, Medium, Firm) - Vivid
24	11.4115.085.010	Rebound Adjust Knob Kit 2011 Vivid/Vivid Air/KAGE (not compatible 2009-2010)
25	11.4118.020.000	Service Kit Full - 2009-2010 Vivid (includes complete sealhead assembly)
25	11.4118.020.001	Service Kit Full - 2011-2012 Vivid (includes complete sealhead assembly)
26	11.4115.013.000	Rear Shock Eyelet Bushing 1/2"x1/2" Qty 2
27	00.4315.028.010	Spanner Wrench/Air Valve Tool - RockShox Vivid/Vivid Air
28	00.4315.026.010	1/2"x1/2" Rear Shock Bushing Tool (Eyelet/SealHead) RockShox
29	00.4115.154.020	Rear Shock Vise blocks, 3 Hole for RockShox Monarch/Vivid/Vivid Air/Reverb
30	11.4115.054.000	Seal Update Kit, 2009-2010 Vivid (updated seal-head o-ring & IFP quad ring)
ns	11.4318.003.208	Decal Kit Vivid R2 Black
ns	11.4318.003.209	Decal Kit Vivid R2C Black
ns	11.4115.115.010	Decal, Rear Shock, Tune (ML) - Vivid/Monarch Qty 10
ns	11.4115.115.020	Decal, Rear Shock, Tune (MM) - Vivid/Monarch Qty 10
ns	11.4115.115.030	Decal, Rear Shock, Tune (MH) - Vivid/Monarch Qty 10
ns	11.4115.115.040	Decal, Rear Shock, Tune (ML3) - Vivid/Monarch Qty 10
ns	11.4115.115.050	Decal, Rear Shock, Tune (MH3) - Vivid/Monarch Qty 10
ns	11.4115.115.060	Decal, Rear Shock, Tune (LL3) - Vivid/Monarch Qty 10
ns	11.4115.115.070	Decal, Rear Shock, Tune (LL) - Vivid/Monarch Qty 10
ns	11.4115.115.080	Decal, Rear Shock, Tune (LM) - Vivid/Monarch Qty 10
ns	11.4115.115.090	Decal, Rear Shock, Tune (LH) - Vivid/Monarch Qty 10
ns	11.4115.115.100	Decal, Rear Shock, Tune (LH3) - Vivid/Monarch Qty 10
ns	11.4115.115.110	Decal, Rear Shock, Tune (HL) - Vivid/Monarch Qty 10
ns	11.4115.115.120	Decal, Rear Shock, Tune (HL3) - Vivid/Monarch Qty 10
ns	11.4115.115.130	Decal, Rear Shock, Tune (HM) - Vivid/Monarch Qty 10
ns	11.4115.115.140	Decal, Rear Shock, Tune (HH) - Vivid/Monarch Qty 10
ns	11.4115.115.150	Decal, Rear Shock, Tune (HH3) - Vivid/Monarch Qty 10



No.	Part Number	Description
31	00.4118.026.000	Spring Grey Vivid/Kage 300lb 200x51/57
31	00.4118.026.001	Spring Grey Vivid/Kage 350lb 200x51/57
31	00.4118.026.002	Spring Grey Vivid/Kage 400lb 200x51/57
31	00.4118.026.003	Spring Grey Vivid/Kage 450lb 200x51/57
31	00.4118.026.004	Spring Grey Vivid/Kage 500lb 200x51/57
31	00.4118.026.005	Spring Grey Vivid/Kage 550lb 200x51/57
31	00.4118.026.006	Spring Grey Vivid/Kage 600lb 200x51/57
31	00.4118.026.007	Spring Grey Vivid/Kage 650lb 200x51/57
31	00.4118.026.008	Spring Grey Vivid/Kage 250lb 216/222x70
31	00.4118.026.009	Spring Grey Vivid/Kage 300lb 216/222x70
31	00.4118.026.010	Spring Grey Vivid/Kage 350lb 216/222x70
31	00.4118.026.011	Spring Grey Vivid/Kage 400lb 216/222x70
31	00.4118.026.012	Spring Grey Vivid/Kage 450lb 216/222x70
31	00.4118.026.013	Spring Grey Vivid/Kage 500lb 216/222x70
31	00.4118.026.014	Spring Grey Vivid/Kage 550lb 216/222x70
31	00.4118.026.015	Spring Grey Vivid/Kage 600lb 216/222x70
31	00.4118.026.016	Spring Grey Vivid/Kage 650lb 216/222x70
31	00.4118.026.017	Spring Grey Vivid/Kage 200lb 240x76
31	00.4118.026.018	Spring Grey Vivid/Kage 250lb 240x76
31	00.4118.026.019	Spring Grey Vivid/Kage 300lb 240x76
31	00.4118.026.020	Spring Grey Vivid/Kage 350lb 240x76
31	00.4118.026.021	Spring Grey Vivid/Kage 400lb 240x76
31	00.4118.026.022	Spring Grey Vivid/Kage 450lb 240x76
31	00.4118.026.023	Spring Grey Vivid/Kage 500lb 240x76
31	00.4118.026.024	Spring Grey Vivid/Kage 550lb 240x76
31	00.4118.026.025	Spring Grey Vivid/Kage 600lb 240x76
31	00.4118.026.026	Spring Grey Vivid/Kage 200lb 267x89
31	00.4118.026.027	Spring Grey Vivid/Kage 250lb 267x89
31	00.4118.026.035	Spring Grey Vivid Kage 275lb 267x89
31	00.4118.026.028	Spring Grey Vivid/Kage 300lb 267x89
31	00.4118.026.029	Spring Grey Vivid/Kage 350lb 267x89
31	00.4118.026.030	Spring Grey Vivid/Kage 400lb 267x89
31	00.4118.026.031	Spring Grey Vivid/Kage 450lb 267x89
31	00.4118.026.032	Spring Grey Vivid/Kage 500lb 267x89
31	00.4118.026.033	Spring Grey Vivid/Kage 550lb 267x89





Note:

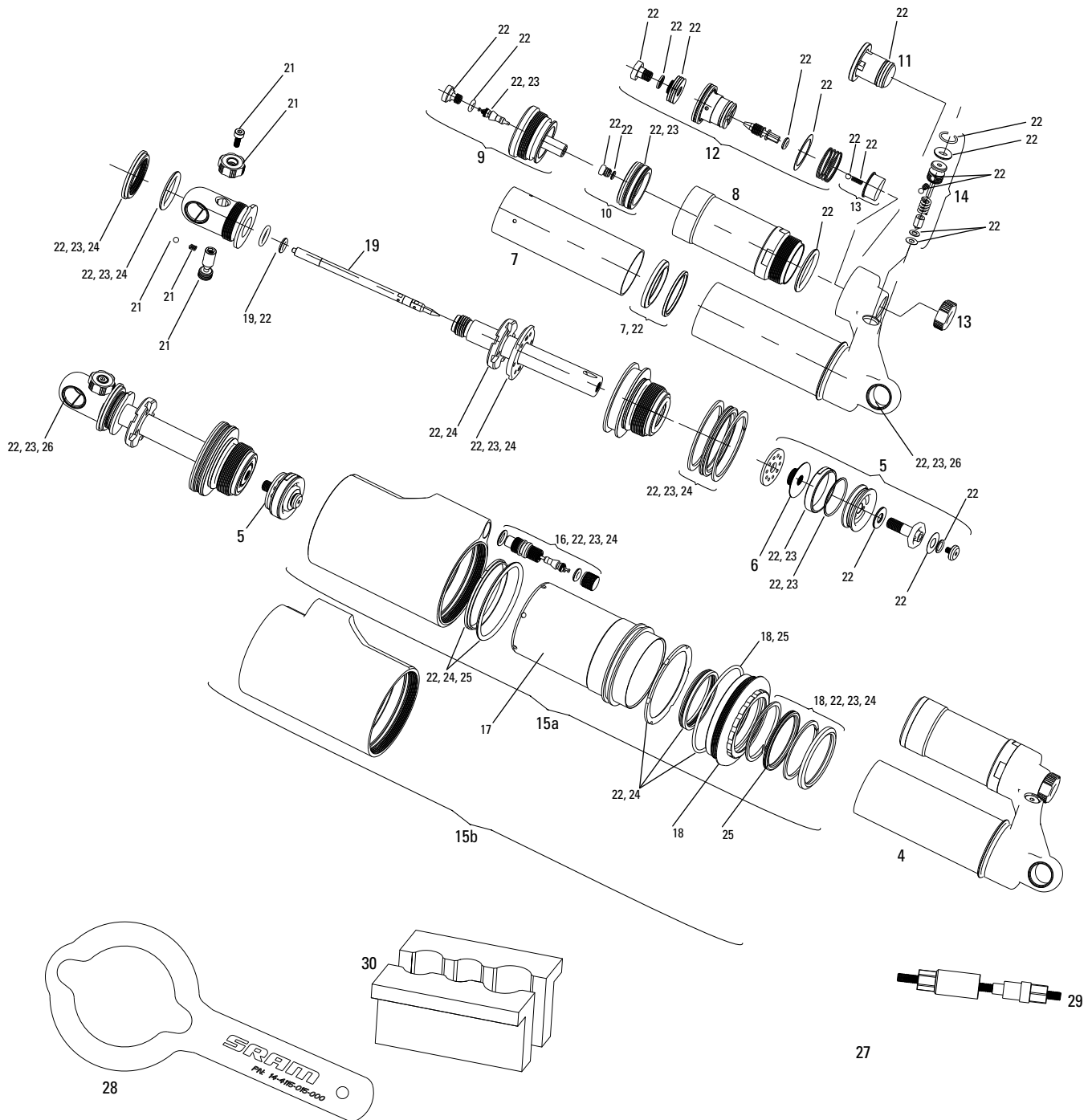
1. Not all service parts may be visible in exploded views. Vivid Service Kit includes all o-rings, seals, glide rings, ball bearings, and detent springs.
2. Eyelet/Shaft/Sealhead assembly (item 1) does not include spring retainer.
3. Use '1/2"x1/2" Rear Shock Bushing/Mount Hardware Tool' to remove and install eyelet bushing and mounting hardware.



No.	Part Number	Description
1	11.4118.021.000	Eyelet/Shaft/Sealhead Assy, B1 Vivid R2C, 90 degree rebound,200x57 Low
1	11.4118.021.001	Eyelet/Shaft/Sealhead Assy, B1 Vivid R2C, 90 degree rebound,200x57 Mid
1	11.4118.021.002	Eyelet/Shaft/Sealhead Assy, B1 Vivid R2C, 90 degree rebound,200x57 High
1	11.4118.021.003	Eyelet/Shaft/Sealhead Assy, B1 Vivid R2C, 90 degree rebound,216x63 Low
1	11.4118.021.004	Eyelet/Shaft/Sealhead Assy, B1 Vivid R2C, 90 degree rebound,216x63 Mid
1	11.4118.021.005	Eyelet/Shaft/Sealhead Assy, B1 Vivid R2C, 90 degree rebound,216x63 High
1	11.4118.021.006	Eyelet/Shaft/Sealhead Assy, B1 Vivid R2C, 90 degree rebound,222x70 Low
1	11.4118.021.007	Eyelet/Shaft/Sealhead Assy, B1 Vivid R2C, 90 degree rebound,222x70 Mid
1	11.4118.021.008	Eyelet/Shaft/Sealhead Assy, B1 Vivid R2C, 90 degree rebound,222x70 High
1	11.4118.021.009	Eyelet/Shaft/Sealhead Assy, B1 Vivid R2C, 90 degree rebound,240x76 Low
1	11.4118.021.010	Eyelet/Shaft/Sealhead Assy, B1 Vivid R2C, 90 degree rebound,240x76 Mid
1	11.4118.021.011	Eyelet/Shaft/Sealhead Assy, B1 Vivid R2C, 90 degree rebound,240x76 High
1	11.4118.021.012	Eyelet/Shaft/Sealhead Assy, B1 Vivid R2C, 90 degree rebound,267x89 Low
1	11.4118.021.013	Eyelet/Shaft/Sealhead Assy, B1 Vivid R2C, 90 degree rebound,267x89 Mid
1	11.4118.021.014	Eyelet/Shaft/Sealhead Assy, B1 Vivid R2C, 90 degree rebound,267x89 High
2	11.4118.022.000	Damper Body/Reservoir Assy, 200x57 (assembled) Vivid R2C B1
2	11.4118.022.001	Damper Body/Reservoir Assy, 216x63 (assembled) Vivid R2C B1
2	11.4118.022.002	Damper Body/Reservoir Assy, 222x70 (assembled) Vivid R2C B1
2	11.4118.022.003	Damper Body/Reservoir Assy, 240x76 (assembled) Vivid R2C B1
2	11.4118.022.004	Damper Body/Reservoir Assy, 267x89 (assembled) Vivid R2C B1
3	11.4118.023.063	Tune Assy, Low, Vivid/Vivid Air R2C B1 NEW
3	11.4118.023.064	Tune Assy, Mid, Vivid/Vivid Air R2C B1 NEW
3	11.4118.023.065	Tune Assy, High, Vivid/Vivid Air R2C B1 NEW
4	11.4118.024.000	Piston Shim Stack, Low, Vivid/Vivid Air R2C B1
4	11.4118.024.001	Piston Shim Stack, Mid, Vivid/Vivid Air R2C B1
4	11.4118.024.002	Piston Shim Stack, High, Vivid/Vivid Air R2C B1
5	11.4118.025.000	Inner Tube/Rings, Shock Body (200mm) - Vivid/Vivid Air B1
5	11.4118.025.001	Inner Tube/Rings, Shock Body (216mm/222mm) - Vivid/Vivid AirB1
5	11.4118.025.002	Inner Tube/Rings, Shock Body (240mm) - Vivid/Vivid Air B1
5	11.4118.025.003	Inner Tube/Rings, Shock Body (267mm) - Vivid B1
6	11.4118.026.000	Reservoir Can, Qty 1 (200/216) Vivid/Vivid Air B1
6	11.4118.026.001	Reservoir Can, Qty 1 (222/240) Vivid/Vivid Air B1
6	11.4118.026.002	Reservoir Can, Qty 1 (267) Vivid/Vivid Air B1
7	11.4115.082.010	Reservoir Internal Floating Piston Assy, Kage/Vivid/Vivid Air
8	11.4115.136.000	Reservoir Cap Assy (assembled) - KAGE
9	11.4118.027.000	Compression Valve Assy (assembled) - Vivid/Vivid Air B1
10	11.4118.028.000	Beginning Compression Knob Assy - Low speed Vivid/Vivid AirB1
11	11.4118.028.001	Beginning Rebound Knob Assy - Low speed Vivid/Vivid Air B1
12	11.4118.028.002	Ending Rebound Knob Assy - High speed Vivid/Vivid Air B1
13	11.4118.029.000	Threaded Spring Collar - Vivid B1
14	11.4115.150.000	Bottom Out Bumper Kage
15	11.4118.032.000	Service Kit Full - Vivid B1 (Requires Counter Measure tool)
16	11.4118.031.002	Sealhead Assy Shock Body (assembled) Vivid B1 NEW
17	11.4115.013.000	Rear Shock Eyelet Bushing 1/2"X1/2" Qty 2
18	00.4118.045.001	Spring Compressor Tool, Counter Measure - RockShox Vivid/Vivid Air
19	00.4315.028.010	Spanner Wrench/Air Valve Tool - RockShox Vivid/Vivid Air
20	00.4315.026.010	1/2" x1/2" Rear Shock Bushing Tool (Eyelet/SealHead) RockShox
21	00.4115.185.000	Rear Shock Body Vise blocks, RockShox Kage/Vivid
22	00.4115.154.020	Rear Shock Vise blocks, 3 Hole for RockShox Monarch/Vivid/Vivid Air/Reverb
ns	11.4318.003.454	Decal Kit Vivid RC2 200/216/222/240/267 White/Black B1
ns	11.4115.115.010	Decal, Rear Shock, Tune (ML) - Vivid/Monarch Qty 10
ns	11.4115.115.020	Decal, Rear Shock, Tune (MM) - Vivid/Monarch Qty 10
ns	11.4115.115.030	Decal, Rear Shock, Tune (MH) - Vivid/Monarch Qty 10
ns	11.4115.115.040	Decal, Rear Shock, Tune (ML3) - Vivid/Monarch Qty 10
ns	11.4115.115.050	Decal, Rear Shock, Tune (MH3) - Vivid/Monarch Qty 10
ns	11.4115.115.060	Decal, Rear Shock, Tune (LL3) - Vivid/Monarch Qty 10
ns	11.4115.115.070	Decal, Rear Shock, Tune (LL) - Vivid/Monarch Qty 10
ns	11.4115.115.080	Decal, Rear Shock, Tune (LM) - Vivid/Monarch Qty 10
ns	11.4115.115.090	Decal, Rear Shock, Tune (LH) - Vivid/Monarch Qty 10
ns	11.4115.115.100	Decal, Rear Shock, Tune (LH3) - Vivid/Monarch Qty 10
ns	11.4115.115.110	Decal, Rear Shock, Tune (HL) - Vivid/Monarch Qty 10
ns	11.4115.115.120	Decal, Rear Shock, Tune (HL3) - Vivid/Monarch Qty 10
ns	11.4115.115.130	Decal, Rear Shock, Tune (HM) - Vivid/Monarch Qty 10
ns	11.4115.115.140	Decal, Rear Shock, Tune (HH) - Vivid/Monarch Qty 10
ns	11.4115.115.150	Decal, Rear Shock, Tune (HH3) - Vivid/Monarch Qty 10



No.	Part Number	Description
22	00.4118.026.000	Spring Grey Vivid/Kage 300lb 200x51/57
22	00.4118.026.001	Spring Grey Vivid/Kage 350lb 200x51/57
22	00.4118.026.002	Spring Grey Vivid/Kage 400lb 200x51/57
22	00.4118.026.003	Spring Grey Vivid/Kage 450lb 200x51/57
22	00.4118.026.004	Spring Grey Vivid/Kage 500lb 200x51/57
22	00.4118.026.005	Spring Grey Vivid/Kage 550lb 200x51/57
22	00.4118.026.006	Spring Grey Vivid/Kage 600lb 200x51/57
22	00.4118.026.007	Spring Grey Vivid/Kage 650lb 200x51/57
22	00.4118.026.008	Spring Grey Vivid/Kage 250lb 216/222x70
22	00.4118.026.009	Spring Grey Vivid/Kage 300lb 216/222x70
22	00.4118.026.010	Spring Grey Vivid/Kage 350lb 216/222x70
22	00.4118.026.011	Spring Grey Vivid/Kage 400lb 216/222x70
22	00.4118.026.012	Spring Grey Vivid/Kage 450lb 216/222x70
22	00.4118.026.013	Spring Grey Vivid/Kage 500lb 216/222x70
22	00.4118.026.014	Spring Grey Vivid/Kage 550lb 216/222x70
22	00.4118.026.015	Spring Grey Vivid/Kage 600lb 216/222x70
22	00.4118.026.016	Spring Grey Vivid/Kage 650lb 216/222x70
22	00.4118.026.017	Spring Grey Vivid/Kage 200lb 240x76
22	00.4118.026.018	Spring Grey Vivid/Kage 250lb 240x76
22	00.4118.026.019	Spring Grey Vivid/Kage 300lb 240x76
22	00.4118.026.020	Spring Grey Vivid/Kage 350lb 240x76
22	00.4118.026.021	Spring Grey Vivid/Kage 400lb 240x76
22	00.4118.026.022	Spring Grey Vivid/Kage 450lb 240x76
22	00.4118.026.023	Spring Grey Vivid/Kage 500lb 240x76
22	00.4118.026.024	Spring Grey Vivid/Kage 550lb 240x76
22	00.4118.026.025	Spring Grey Vivid/Kage 600lb 240x76
22	00.4118.026.026	Spring Grey Vivid/Kage 200lb 267x89
22	00.4118.026.027	Spring Grey Vivid/Kage 250lb 267x89
22	00.4118.026.035	Spring Grey Vivid Kage 275lb 267x89
22	00.4118.026.028	Spring Grey Vivid/Kage 300lb 267x89
22	00.4118.026.029	Spring Grey Vivid/Kage 350lb 267x89
22	00.4118.026.030	Spring Grey Vivid/Kage 400lb 267x89
22	00.4118.026.031	Spring Grey Vivid/Kage 450lb 267x89
22	00.4118.026.032	Spring Grey Vivid/Kage 500lb 267x89
22	00.4118.026.033	Spring Grey Vivid/Kage 550lb 267x89
22	00.4118.026.034	Spring Grey Vivid Kage 225lb 267x89
22	00.4118.026.035	Spring Grey Vivid Kage 275lb 267x89
22	00.4118.026.036	Spring Grey Vivid Kage 325lb 267x89



Note:

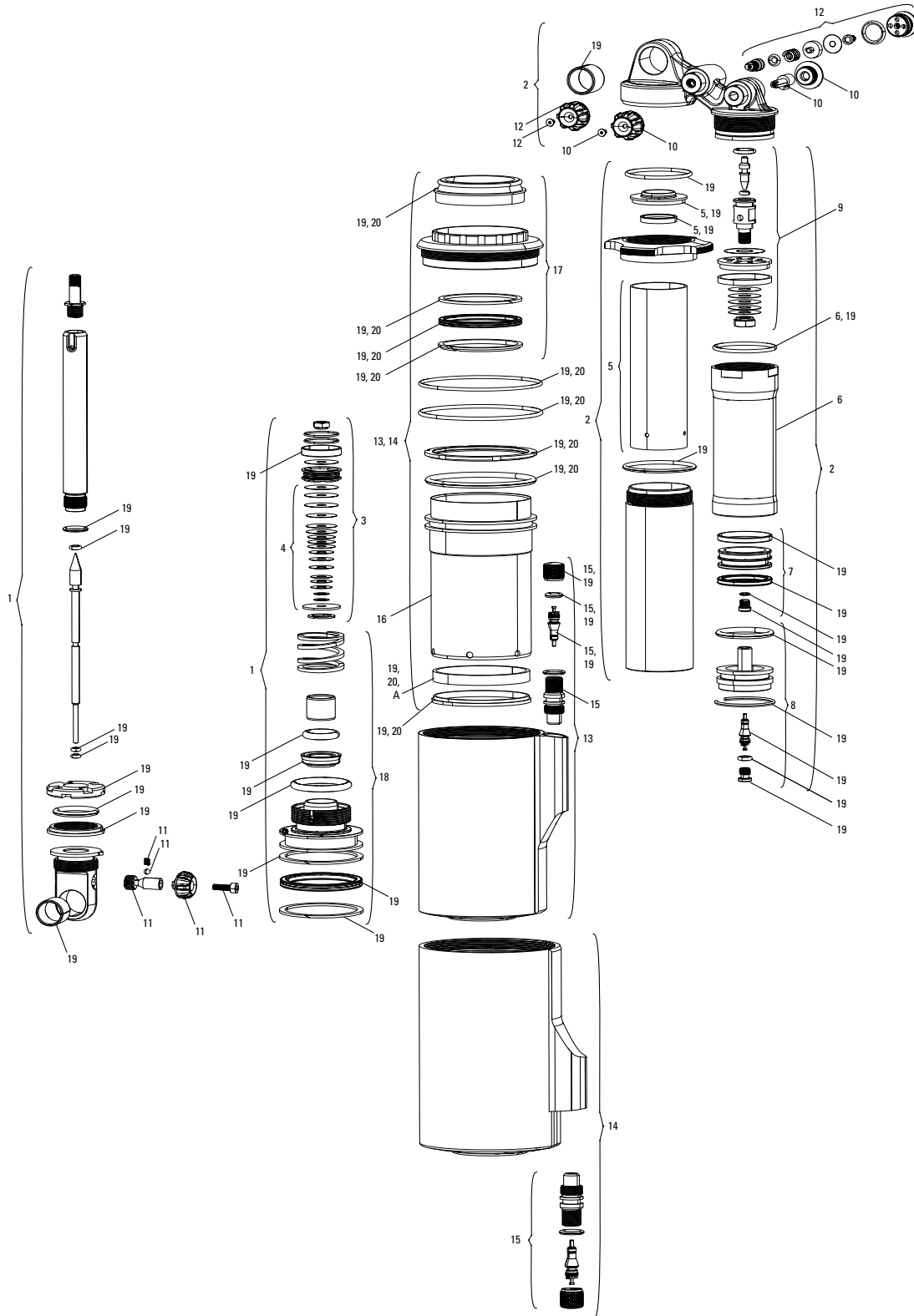
1. Not all service parts visible in exploded views. Vivid Air Service Kit includes o-rings, seals, glide rings, ball bearings, and detent springs.
2. Air can kits are assembled and included all seals pictured.
3. Vivid air can wrench is required for air can removal. Vivid spanner wrench is required for reservoir removal.
4. Use 1/2"x1/2" Rear Shock Bushing/Mount Hardware Tool to remove and install eyelet bushing and mounting hardware.



No.	Part Number	Description
4	11.4115.079.100	Damper Body/Reservoir Assy, 222x70/229x70 (assembled) 2011 Vivid Air R2C
4	11.4115.079.110	Damper Body/Reservoir Assy, 240x76 (assembled) 2011 Vivid Air R2C
4	11.4115.079.130	Damper Body/Reservoir Assy, 216x63 (assembled) 2011 Vivid Air R2C
4	11.4115.079.150	Damper Body/Reservoir Assy, 222x70/229x70 (assembled) 2011 Vivid Air R2
4	11.4115.079.160	Damper Body/Reservoir Assy, 240x76 (assembled) 2011 Vivid Air R2
4	11.4115.079.180	Damper Body/Reservoir Assy, 216x63 (assembled) 2011 Vivid Air R2
5	11.4115.080.070	Main Piston Assy, Low, 2011 Vivid Coil R2C (267x89), 2011 Vivid Air R2C
5	11.4115.080.080	Main Piston Assy, Mid, 2011 Vivid Air R2C
5	11.4115.080.090	Main Piston Assy, High, 2011 Vivid Air R2C
5	11.4115.080.100	Main Piston Assy, Low, 2011 Vivid Air R2
5	11.4115.080.110	Main Piston Assy, Mid, 2011 Vivid Air R2
5	11.4115.080.120	Main Piston Assy, High, 2011 Vivid Air R2
6	11.4115.081.070	Piston Shim Stack, Low, 2011 Vivid R2C (267x89), 2011 Vivid Air R2C
6	11.4115.081.080	Piston Shim Stack, Mid, 2011 Vivid Air R2C
6	11.4115.081.090	Piston Shim Stack, High, 2011 Vivid Air R2C
6	11.4115.081.100	Piston Shim Stack, Low, 2011 Vivid Air R2
6	11.4115.081.110	Piston Shim Stack, Mid, 2011 Vivid Air R2
6	11.4115.081.120	Piston Shim Stack, High, 2011 Vivid Air R2
7	11.4115.091.010	Inner Tube/Rings, Shock Body (200mm/203mm) - 2009-2011 Vivid/Vivid Air
7	11.4115.091.020	Inner Tube/Rings, Shock Body (216mm/222mm/229mm) - 2009-2011 Vivid/Vivid Air
7	11.4115.091.030	Inner Tube/Rings, Shock Body (240mm) - 2009-2011 Vivid/Vivid Air
8	11.4115.021.020	Reservoir Can, Qty 1 (200/203/216/222/229/240) 2011 Vivid/Vivid Air
9	11.4115.022.000	Reservoir Sealhead Assy (assembled) - 2009-2011 Vivid/Vivid Air
10	11.4115.082.010	Reservoir Internal Floating Piston Assy, Kage/Vivid/Vivid Air
11	11.4115.024.000	Compression Conversion Cover (no compression adjust) - 2009-2011 Vivid/Vivid Air 4.1/R2
12	11.4115.025.000	Compression Adjust Piston Assy (assembled) - 2009-2011 Vivid/Vivid Air 5.1 /R2C
13	11.4115.026.000	Compression Adjuster Knob Assy - 2009-2011 Vivid/Vivid Air 5.1 /R2C
14	11.4115.090.010	End Stroke Rebound Adjuster Assy - 2011 Vivid/Vivid Air (not compatible with 2009-2010)
15a	11.4115.099.010	Air Can Assembly Standard, 200x51/200x57 - 2011 Vivid Air
15a	11.4115.099.020	Air Can Assembly Standard, 216x60/216x63 - 2011 Vivid Air
15a	11.4115.099.030	Air Can Assembly Standard, 222x70/229x70 - 2011 Vivid Air
15a	11.4115.099.040	Air Can Assembly Standard, 240x76 - 2011 Vivid Air
15b	11.4115.099.050	Air Can Assembly Optional, 200x51/200x57 - 2011 Vivid Air
15b	11.4115.099.060	Air Can Assembly Optional, 216x60/216x63 - 2011 Vivid Air
15b	11.4115.099.070	Air Can Assembly Optional, 222x70/229x70 - 2011 Vivid Air
15b	11.4115.099.080	Air Can Assembly Optional, 240x76 - 2011 Vivid Air
16	11.4115.101.010	Schrader Valve Assembly (Air Can) - Vivid Air 2011-2014(B1)
17	11.4115.102.010	Sleeve Kit, Air Can, 200x51/200x57 - Vivid Air 2011-2014(B1)
17	11.4115.102.020	Sleeve Kit, Air Can, 216x60/216x63 - Vivid Air 2011-2014(B1)
17	11.4115.102.030	Sleeve Kit, Air Can, 222x70/229x70 - Vivid Air 2011-2014(B1)
17	11.4115.102.040	Sleeve Kit, Air Can, 240x76 - Vivid Air 2011-2014(B1)
18	11.4115.103.010	Collar Kit, Air Can - 2011 Vivid Air
19	11.4115.083.010	Hot Rod Adjuster Needle & O-Ring (200x51, 200x57, 203x57) - 2011 Vivid/Vivid Air
19	11.4115.083.020	Hot Rod Adjuster Needle & O-Ring (216x60, 216x63) - 2011 Vivid/Vivid Air
19	11.4115.083.030	Hot Rod Adjuster Needle & O-Ring (222x70, 229x70) - 2011 Vivid/Vivid Air
19	11.4115.083.040	Hot Rod Adjuster Needle & O-Ring (240x76) - 2011 Vivid/Vivid Air
21	11.4115.085.010	Rebound Adjust Knob Kit 2011 Vivid/Vivid Air/KAGE (not compatible 2009-2010)
22	11.4115.092.010	Service Kit Full - 2011 Vivid Air
23	11.4115.100.010	Service Kit Basic - 2011 Vivid Air
24	11.4115.093.010	Service Kit, Air Can - 2011 Vivid Air
25	00.4315.032.220	AM Rear Shock Service Kit, Basic (includes air can seals only) - Vivid Air (2012-2013)
26	11.4115.013.000	Rear Shock Eyelet Bushing 1/2"x1/2" Qty 2
27	00.4315.028.010	Spanner Wrench/Air Valve Tool - RockShox Vivid/Vivid Air
28	00.4315.029.010	Wrench, Air Can - RockShox Vivid Air
29	00.4315.026.010	1/2"x1/2" Rear Shock Bushing Tool (Eyelet/SealHead) RockShox
30	00.4115.154.020	Rear Shock Vise blocks, 3 Hole for RockShox Monarch/Vivid/Vivid Air/Reverb

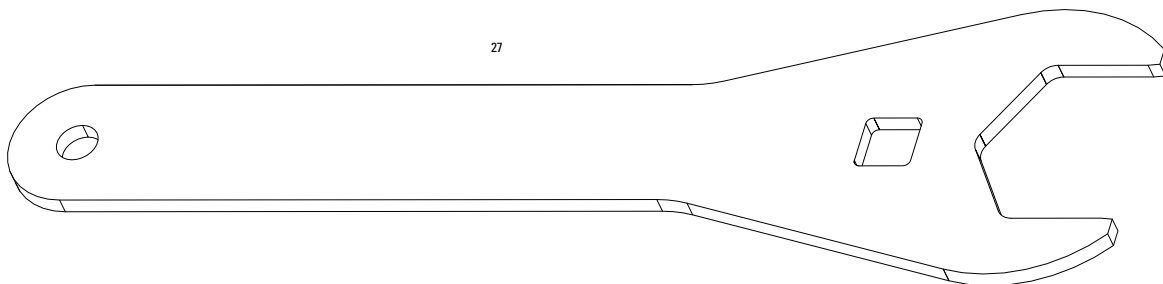
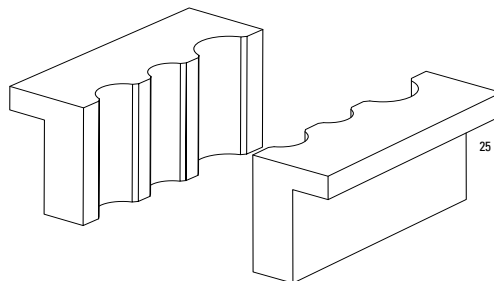
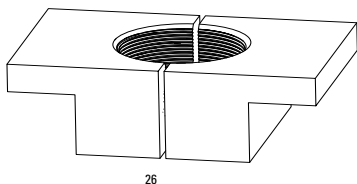
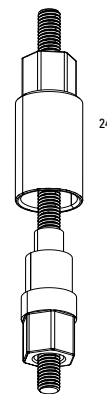
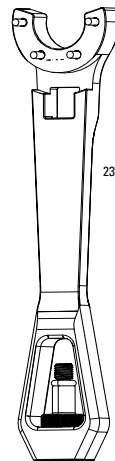
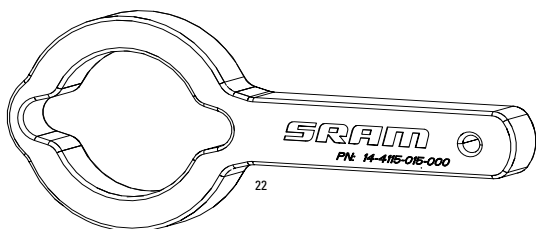
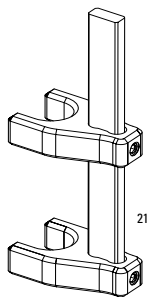


No.	Part Number	Description
ns	00.4315.023.010	High-Pressure Fork/Shock Pump (300 psi Max) RockShox
ns	00.4315.023.030	High-Pressure Fork/Shock Pump (600 psi Max) RockShox
ns	00.4315.023.040	High-Pressure Fork/Shock Pump (300 psi Max) RockShox DigitalGauge
ns	00.4315.022.010	Schrader Valve Removal Tool Rockshox
ns	11.4115.094.010	Lubricant, Rear Shock Air Can, Maxima 15W 50, 1 Liter Bottle
ns	00.4318.008.002	Grease Rockshox Dynamic Seal Grease (PTFE) 1oz - Recommended for Service of Rear Shocks
ns	11.4315.004.020	RockShox Suspension Oil, 3wt 16oz Bottle - Rear Shock Damper/Charger Damper
ns	11.4315.021.050	RockShox Suspension Oil, 3wt 120ml Bottle - Rear Shock Damper/Charger Damper
ns	11.4318.003.210	Decal Kit Vivid Air R2C 200X57 Grey/Black
ns	11.4318.003.211	Decal Kit Vivid Air R2C 200X57 White/Black
ns	11.4318.003.212	Decal Kit Vivid Air R2C 216X63 Grey/Black
ns	11.4318.003.213	Decal Kit Vivid Air R2C 216X63 White/Black
ns	11.4318.003.214	Decal Kit Vivid Air R2C 222X70 Grey/Black
ns	11.4318.003.215	Decal Kit Vivid Air R2C 222X70 White/Black
ns	11.4318.003.216	Decal Kit Vivid Air R2C 240X76 Grey/Black
ns	11.4318.003.217	Decal Kit Vivid Air R2C 240X76 White/Black
ns	11.4318.003.218	Decal Kit Vivid Air R2 200X57 Grey/Black
ns	11.4318.003.219	Decal Kit Vivid Air R2 200X57 White/Black
ns	11.4318.003.220	Decal Kit Vivid Air R2 216X63 White/Black
ns	11.4318.003.221	Decal Kit Vivid Air R2 222X70 Grey/Black
ns	11.4318.003.222	Decal Kit Vivid Air R2 222X70 White/Black
ns	11.4318.003.223	Decal Kit Vivid Air R2 229X70 Grey/Black
ns	11.4318.003.224	Decal Kit Vivid Air R2 229X70 White/Black
ns	11.4318.003.225	Decal Kit Vivid Air R2 240X76 Grey/Black
ns	11.4318.003.226	Decal Kit Vivid Air R2 240X76 White/Black
ns	11.4115.115.010	Decal, Rear Shock, Tune (ML) - Vivid/Monarch Qty 10
ns	11.4115.115.020	Decal, Rear Shock, Tune (MM) - Vivid/Monarch Qty 10
ns	11.4115.115.030	Decal, Rear Shock, Tune (MH) - Vivid/Monarch Qty 10
ns	11.4115.115.040	Decal, Rear Shock, Tune (ML3) - Vivid/Monarch Qty 10
ns	11.4115.115.050	Decal, Rear Shock, Tune (MH3) - Vivid/Monarch Qty 10
ns	11.4115.115.060	Decal, Rear Shock, Tune (LL3) - Vivid/Monarch Qty 10
ns	11.4115.115.070	Decal, Rear Shock, Tune (LL) - Vivid/Monarch Qty 10
ns	11.4115.115.080	Decal, Rear Shock, Tune (LM) - Vivid/Monarch Qty 10
ns	11.4115.115.090	Decal, Rear Shock, Tune (LH) - Vivid/Monarch Qty 10
ns	11.4115.115.100	Decal, Rear Shock, Tune (LH3) - Vivid/Monarch Qty 10
ns	11.4115.115.110	Decal, Rear Shock, Tune (HL) - Vivid/Monarch Qty 10
ns	11.4115.115.120	Decal, Rear Shock, Tune (HL3) - Vivid/Monarch Qty 10
ns	11.4115.115.130	Decal, Rear Shock, Tune (HM) - Vivid/Monarch Qty 10
ns	11.4115.115.140	Decal, Rear Shock, Tune (HH) - Vivid/Monarch Qty 10
ns	11.4115.115.150	Decal, Rear Shock, Tune (HH3) - Vivid/Monarch Qty 10



Note:

1. Vivid air can wrench is required for air can removal. Vivid 31mm wrench is required for reservoir removal.
2. Use '1/2"x1/2" Rear Shock Bushing/Mount Hardware Tool' to remove and install eyelet bushing and mounting hardware.
3. All Air Can assemblies are fully assembled.





No.	Part Number	Description
1	11.4118.021.015	Eyelet/Shaft/Sealhead Assy, B1 Vivid Air R2C, 90 degree rebound, 200x57 Low
1	11.4118.021.016	Eyelet/Shaft/Sealhead Assy, B1 Vivid Air R2C, 90 degree rebound, 200x57 Mid
1	11.4118.021.017	Eyelet/Shaft/Sealhead Assy, B1 Vivid Air R2C, 90 degree rebound, 200x57 High
1	11.4118.021.018	Eyelet/Shaft/Sealhead Assy, B1 Vivid Air R2C, 90 degree rebound, 216x63 Low
1	11.4118.021.019	Eyelet/Shaft/Sealhead Assy, B1 Vivid Air R2C, 90 degree rebound, 216x63 Mid
1	11.4118.021.020	Eyelet/Shaft/Sealhead Assy, B1 Vivid Air R2C, 90 degree rebound, 216x63 High
1	11.4118.021.021	Eyelet/Shaft/Sealhead Assy, B1 Vivid Air R2C, 90 degree rebound, 222x70 Low
1	11.4118.021.022	Eyelet/Shaft/Sealhead Assy, B1 Vivid Air R2C, 90 degree rebound, 222x70 Mid
1	11.4118.021.023	Eyelet/Shaft/Sealhead Assy, B1 Vivid Air R2C, 90 degree rebound, 222x70 High
1	11.4118.021.024	Eyelet/Shaft/Sealhead Assy, B1 Vivid Air R2C, 90 degree rebound, 240x76 Low
1	11.4118.021.025	Eyelet/Shaft/Sealhead Assy, B1 Vivid Air R2C, 90 degree rebound, 240x76 Mid
1	11.4118.021.026	Eyelet/Shaft/Sealhead Assy, B1 Vivid Air R2C, 90 degree rebound, 240x76 High
2	11.4118.022.005	Damper Body/Reservoir Assy, 200x57 (assembled) Vivid Air R2CB1
2	11.4118.022.006	Damper Body/Reservoir Assy, 216x63 (assembled) Vivid Air R2CB1
2	11.4118.022.007	Damper Body/Reservoir Assy, 222x70 (assembled) Vivid Air R2CB1
2	11.4118.022.008	Damper Body/Reservoir Assy, 240x76 (assembled) Vivid Air R2CB1
3	11.4118.023.063	Tune Assy, Low, Vivid/Vivid Air R2C B1 NEW
3	11.4118.023.064	Tune Assy, Mid, Vivid/Vivid Air R2C B1 NEW
3	11.4118.023.065	Tune Assy, High, Vivid/Vivid Air R2C B1 NEW
4	11.4118.024.000	Piston Shim Stack, Low, Vivid/Vivid Air R2C B1
4	11.4118.024.001	Piston Shim Stack, Mid, Vivid/Vivid Air R2C B1
4	11.4118.024.002	Piston Shim Stack, High, Vivid/Vivid Air R2C B1
5	11.4118.025.000	Inner Tube/Rings, Shock Body (200mm) - Vivid/Vivid Air B1
5	11.4118.025.001	Inner Tube/Rings, Shock Body (216mm/222mm) - Vivid/Vivid Air B1
5	11.4118.025.002	Inner Tube/Rings, Shock Body (240mm) - Vivid/Vivid Air B1
5	11.4118.025.003	Inner Tube/Rings, Shock Body (267mm) - Vivid B1
6	11.4118.026.000	Reservoir Can, Qty 1 (200/216) Vivid/Vivid Air B1
6	11.4118.026.001	Reservoir Can, Qty 1 (222/240) Vivid/Vivid Air B1
6	11.4118.026.002	Reservoir Can, Qty 1 (267) Vivid/Vivid Air B1
7	11.4115.082.010	Reservoir Internal Floating Piston Assy, Kage/Vivid/Vivid Air
8	11.4115.136.000	Reservoir Cap Assy (assembled) - KAGE
9	11.4118.027.000	Compression Valve Assy (assembled) - Vivid/Vivid Air B1
10	11.4118.028.000	Beginning Compression Knob Assy - Low speed Vivid/Vivid Air B1
11	11.4118.028.001	Beginning Rebound Knob Assy - Low speed Vivid/Vivid Air B1
12	11.4118.028.002	Ending Rebound Knob Assy - High speed Vivid/Vivid Air B1
13	11.4118.033.000	Air Can Assembly Vivid Air Standard Valve Placement, 200x57 B1
13	11.4118.033.001	Air Can Assembly Vivid Air Standard Valve Placement, 216x63 B1
13	11.4118.033.002	Air Can Assembly Vivid Air Standard Valve Placement, 222x70 B1
13	11.4118.033.003	Air Can Assembly Vivid Air Standard Valve Placement, 240x76 B1
14	11.4118.033.004	Air Can Assembly Vivid Air Optional Valve Placement, 200x57 B1
14	11.4118.033.005	Air Can Assembly Vivid Air Optional Valve Placement, 216x63 B1
14	11.4118.033.006	Air Can Assembly Vivid Air Optional Valve Placement, 222x70 B1
14	11.4118.033.007	Air Can Assembly Vivid Air Optional Valve Placement, 240x76 B1
15	11.4115.101.010	Schrader Valve Assembly (Air Can) - Vivid Air 2011-2014(B1)
16	11.4115.102.010	Sleeve Kit, Air Can, 200x51/200x57 - Vivid Air 2011-2014(B1)
16	11.4115.102.020	Sleeve Kit, Air Can, 216x60/216x63 - Vivid Air 2011-2014(B1)
16	11.4115.102.030	Sleeve Kit, Air Can, 222x70/229x70 - Vivid Air 2011-2014(B1)
16	11.4115.102.040	Sleeve Kit, Air Can, 240x76 - Vivid Air 2011-2014(B1)
17	11.4118.030.000	Collar Kit, Air Can - Vivid Air B1
18	11.4118.031.003	Sealhead Assy Shock Body (assembled) Vivid Air B1 NEW
19	11.4118.032.001	Service Kit Full - Vivid Air B1 (Requires Counter Measure tool)
20	00.4315.032.370	AM Rear Shock Air Can Service Kit, Basic - Vivid Air B1 (2014-2015)
21	00.4118.045.001	Spring Compressor Tool, Counter Measure - RockShox Vivid/Vivid Air
22	00.4315.029.010	Wrench, Air Can - RockShox Vivid Air
23	00.4315.028.010	Spanner Wrench/Air Valve Tool - RockShox Vivid/Vivid Air
24	00.4315.026.010	1/2" x1/2" Rear Shock Bushing Tool (Eyelet/SealHead) RockShox
25	00.4115.154.020	Rear Shock Vise blocks, 3 Hole for RockShox Monarch/Vivid/Vivid Air/Reverb
26	00.4115.185.000	Rear Shock Body Vise blocks, RockShox Kage/Vivid
27	00.4318.012.002	31mm Flat Wrench (crowfoot compatible) - Vivid Air Reservoir
ns	00.4315.023.010	High-Pressure Fork/Shock Pump (300 psi Max) RockShox
ns	00.4315.023.030	High-Pressure Fork/Shock Pump (600 psi Max) RockShox
ns	00.4315.023.040	High-Pressure Fork/Shock Pump (300 psi Max) RockShox DigitalGauge
ns	00.4315.022.010	Schrader Valve Removal Tool Rockshox
ns	11.4115.094.010	Lubricant, Rear Shock Air Can, Maxima 15W 50, 1 Liter Bottle
ns	00.4318.008.002	Grease Rockshox Dynamic Seal Grease (PTFE) 1oz - Recommended for Service of Rear Shocks
ns	11.4315.004.020	RockShox Suspension Oil, 3wt 16oz Bottle - Rear Shock Damper/Charger Damper
ns	11.4315.021.050	RockShox Suspension Oil, 3wt 120ml Bottle - Rear Shock Damper/Charger Damper
ns	11.4318.003.455	Decal Kit Vivid Air RC2 200/216/222/240 White/Black B1
ns	11.4115.115.010	Decal, Rear Shock, Tune (ML) - Vivid/Monarch Qty 10
ns	11.4115.115.020	Decal, Rear Shock, Tune (MM) - Vivid/Monarch Qty 10
ns	11.4115.115.030	Decal, Rear Shock, Tune (MH) - Vivid/Monarch Qty 10
ns	11.4115.115.040	Decal, Rear Shock, Tune (ML3) - Vivid/Monarch Qty 10
ns	11.4115.115.050	Decal, Rear Shock, Tune (MH3) - Vivid/Monarch Qty 10
ns	11.4115.115.060	Decal, Rear Shock, Tune (LL3) - Vivid/Monarch Qty 10
ns	11.4115.115.070	Decal, Rear Shock, Tune (LL) - Vivid/Monarch Qty 10
ns	11.4115.115.080	Decal, Rear Shock, Tune (LM) - Vivid/Monarch Qty 10
ns	11.4115.115.090	Decal, Rear Shock, Tune (LH) - Vivid/Monarch Qty 10
ns	11.4115.115.100	Decal, Rear Shock, Tune (LH3) - Vivid/Monarch Qty 10
ns	11.4115.115.110	Decal, Rear Shock, Tune (HL) - Vivid/Monarch Qty 10
ns	11.4115.115.120	Decal, Rear Shock, Tune (HL3) - Vivid/Monarch Qty 10
ns	11.4115.115.130	Decal, Rear Shock, Tune (HM) - Vivid/Monarch Qty 10
ns	11.4115.115.140	Decal, Rear Shock, Tune (HH) - Vivid/Monarch Qty 10
ns	11.4115.115.150	Decal, Rear Shock, Tune (HH3) - Vivid/Monarch Qty 10

MOUNTING HARDWARE - 1/2" x 1/2"



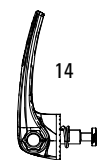
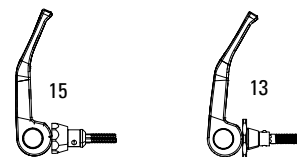
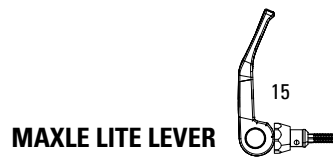
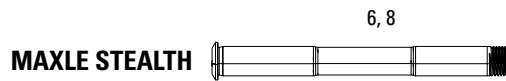
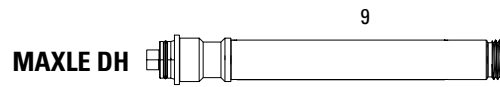
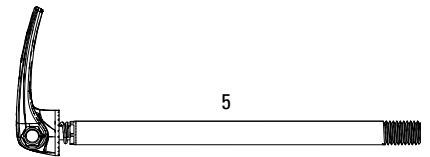
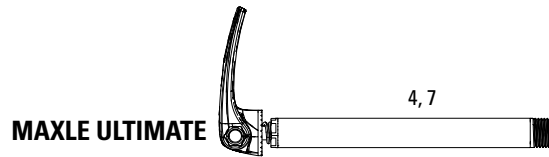
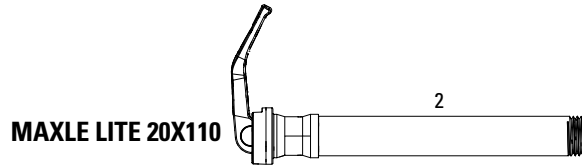
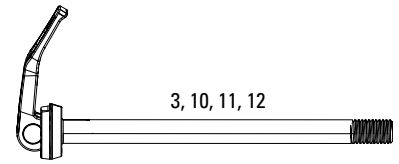
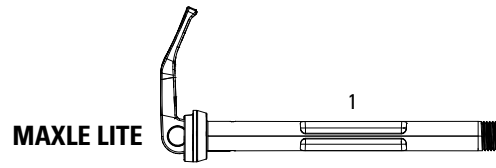
Note:

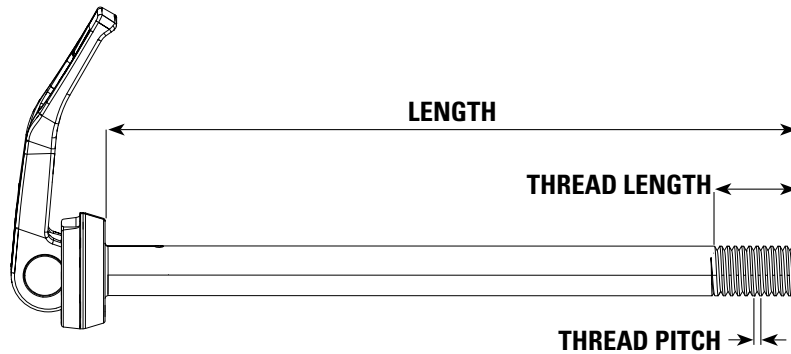
Use with - Ario, Monarch, Monarch Plus, Kage, Vivid, Vivid Air

Part Number	Description
11.4118.044.000	Rear Shock Mounting Hardware, Trek DRCV Slash Retro Kit for Rockshox (includes upper bolt & nut only, use with 40x8 3p hardware set) - Trek Slash 27.5 2012-2014
11.4115.013.000	Rear Shock Eyelet Bushing 1/2"X1/2" Qty 2
11.4115.046.000	Rear Shock Mounting Hardware 1/2"X1/2" 12.70X8 Center Pin (06 Specialized Demo 8 shaft eyelet)
11.4115.012.640	Rear Shock Mounting Hardware 1/2"X1/2" 14.0X8 3-piece (1 Set)
11.4115.012.650	Rear Shock Mounting Hardware 1/2"X1/2" 15.7X8 3-piece (1 Set)
11.4115.012.320	Rear Shock Mounting Hardware 1/2"X1/2" 16.0X6 3-piece (1 Set)
11.4115.012.550	Rear Shock Mounting Hardware 1/2"X1/2" 16.0X8 3-piece (1 Set)
11.4115.012.660	Rear Shock Mounting Hardware 1/2"X1/2" 17.4X10 3-piece (1 Set)
11.4115.012.670	Rear Shock Mounting Hardware 1/2"X1/2" 18.0X9.5 3-piece (1 Set)
11.4115.012.730	Rear Shock Mounting Hardware 1/2"X1/2" 19.0X6 3-piece (1 Set)
11.4115.012.740	Rear Shock Mounting Hardware 1/2"X1/2" 25.0X8mm 3-piece (1 set)
11.4115.012.750	Rear Shock Mounting Hardware 1/2"X1/2" 35.5X8mm 3-piece (1 set)
11.4115.012.760	Rear Shock Mounting Hardware 1/2"X1/2" 52.0X8mm 3-piece (1 set)
11.4115.012.770	Rear Shock Mounting Hardware 1/2"X1/2" 52.9X8mm 3-piece (1 set)
11.4115.012.780	Rear Shock Mounting Hardware 1/2"X1/2" 25.2X8mm 3-piece (1 set)
11.4115.012.790	Rear Shock Mounting Hardware 1/2"X1/2" 39.9X8mm 3-piece (1 set)
11.4115.012.800	Rear Shock Mounting Hardware 1/2"X1/2" 23.3X8mm 3-piece (1 set)
11.4115.012.810	Rear Shock Mounting Hardware 1/2"X1/2" 18.0X8mm 3-piece (1 set)
11.4115.012.560	Rear Shock Mounting Hardware 1/2"X1/2" 19.0X8 3-piece (1 Set)
11.4115.012.330	Rear Shock Mounting Hardware 1/2"X1/2" 21.8X6 3-piece (1 Set)
11.4115.012.000	Rear Shock Mounting Hardware 1/2"X1/2" 21.8X8 3-piece (1 Set)
11.4115.012.580	Rear Shock Mounting Hardware 1/2"X1/2" 22.0X8 3-piece (1 Set)
11.4115.012.600	Rear Shock Mounting Hardware 1/2"X1/2" 22.2x10 3-piece (1 Set)
11.4115.012.340	Rear Shock Mounting Hardware 1/2"X1/2" 22.2X6 3-piece (1 Set)
11.4115.012.010	Rear Shock Mounting Hardware 1/2"X1/2" 22.2x8 3-piece (1 Set)
11.4115.012.500	Rear Shock Mounting Hardware 1/2"X1/2" 22.2X9.5 3-piece (1 Set)
11.4115.012.590	Rear Shock Mounting Hardware 1/2"X1/2" 22.4x10 3-piece (1 Set)
11.4115.012.020	Rear Shock Mounting Hardware 1/2"X1/2" 23.0x8 3-piece (1 Set)
11.4115.012.710	Rear Shock Mounting Hardware 1/2"X1/2" 23.8x8 3-piece (1 Set)
11.4115.012.030	Rear Shock Mounting Hardware 1/2"X1/2" 24.0x8 3-piece (1 Set)
11.4115.012.700	Rear Shock Mounting Hardware 1/2"X1/2" 24.2x8 3-piece (1 Set)
11.4115.012.350	Rear Shock Mounting Hardware 1/2"X1/2" 24.4X6 3-piece (1 Set)
11.4115.012.040	Rear Shock Mounting Hardware 1/2"X1/2" 24.4x8 3-piece (1 Set)
11.4115.012.360	Rear Shock Mounting Hardware 1/2"X1/2" 24.6X6 3-piece (1 Set)
11.4115.012.370	Rear Shock Mounting Hardware 1/2"X1/2" 25.4X6 3-piece (1 Set)
11.4115.012.050	Rear Shock Mounting Hardware 1/2"X1/2" 25.4x8 3-piece (1 Set)
11.4115.012.060	Rear Shock Mounting Hardware 1/2"X1/2" 27.4x8 3-piece (1 Set)
11.4115.012.070	Rear Shock Mounting Hardware 1/2"X1/2" 28.0x8 3-piece (1 Set)
11.4115.012.380	Rear Shock Mounting Hardware 1/2"X1/2" 28.6X6 3-piece (1 Set)
11.4115.012.690	Rear Shock Mounting Hardware 1/2"X1/2" 28.6X8 3-piece (1 Set)
11.4115.012.490	Rear Shock Mounting Hardware 1/2"X1/2" 30.0X10 3-piece (1 Set)
11.4115.012.080	Rear Shock Mounting Hardware 1/2"X1/2" 30.0x8 3-piece (1 Set)
11.4115.012.680	Rear Shock Mounting Hardware 1/2"X1/2" 30.8x8 3-piece (1 Set)
11.4115.012.390	Rear Shock Mounting Hardware 1/2"X1/2" 31.75X6 3-piece (1 Set)
11.4115.012.090	Rear Shock Mounting Hardware 1/2"X1/2" 31.75x8 3-piece (1 Set)
11.4115.012.570	Rear Shock Mounting Hardware 1/2"X1/2" 32.0x8 3-piece (1 Set)
11.4115.012.100	Rear Shock Mounting Hardware 1/2"X1/2" 32.4x8 3-piece (1 Set)
11.4115.012.400	Rear Shock Mounting Hardware 1/2"X1/2" 33.0X6 3-piece (1 Set)
11.4115.012.110	Rear Shock Mounting Hardware 1/2"X1/2" 33.0x8 3-piece (1 Set)
11.4115.012.630	Rear Shock Mounting Hardware 1/2"X1/2" 33.5x10 3-piece (1 Set)
11.4115.012.540	Rear Shock Mounting Hardware 1/2"X1/2" 33.6x8 3-piece (1 Set)
11.4115.012.410	Rear Shock Mounting Hardware 1/2"X1/2" 34.0X6 3-piece (1 Set)
11.4115.012.120	Rear Shock Mounting Hardware 1/2"X1/2" 34.0x8 3-piece (1 Set)
11.4115.012.420	Rear Shock Mounting Hardware 1/2"X1/2" 35.0X6 3-piece (1 Set)
11.4115.012.130	Rear Shock Mounting Hardware 1/2"X1/2" 35.0x8 3-piece (1 Set)
11.4115.012.430	Rear Shock Mounting Hardware 1/2"X1/2" 36.0X6 3-piece (1 Set)
11.4115.012.140	Rear Shock Mounting Hardware 1/2"X1/2" 36.0x8 3-piece (1 Set)
11.4115.012.150	Rear Shock Mounting Hardware 1/2"X1/2" 37.4x8 3-piece (1 Set)
11.4115.012.160	Rear Shock Mounting Hardware 1/2"X1/2" 37.6x8 3-piece (1 Set)
11.4115.012.170	Rear Shock Mounting Hardware 1/2"X1/2" 38.0x8 3-piece (1 Set)
11.4115.012.620	Rear Shock Mounting Hardware 1/2"X1/2" 40.0x10 3-piece (1 Set)
11.4115.012.440	Rear Shock Mounting Hardware 1/2"X1/2" 40.0X6 3-piece (1 Set)
11.4115.012.180	Rear Shock Mounting Hardware 1/2"X1/2" 40.0x8 3-piece (1 Set)
11.4115.012.450	Rear Shock Mounting Hardware 1/2"X1/2" 41.0X6 3-piece (1 Set)
11.4115.012.190	Rear Shock Mounting Hardware 1/2"X1/2" 41.0x8 3-piece (1 Set)
11.4115.012.200	Rear Shock Mounting Hardware 1/2"X1/2" 41.5x8 3-piece (1 Set)
11.4115.012.460	Rear Shock Mounting Hardware 1/2"X1/2" 42.0X6 3-piece (1 Set)
11.4115.012.210	Rear Shock Mounting Hardware 1/2"X1/2" 42.0x8 3-piece (1 Set)
11.4115.012.720	Rear Shock Mounting Hardware 1/2"X1/2" 42.2x8 3-piece (1 Set)
11.4115.012.220	Rear Shock Mounting Hardware 1/2"X1/2" 44.0x8 3-piece (1 Set)
11.4115.012.230	Rear Shock Mounting Hardware 1/2"X1/2" 44.5x8 3-piece (1 Set)
11.4115.012.470	Rear Shock Mounting Hardware 1/2"X1/2" 45.0X6 3-piece (1 Set)
11.4115.012.240	Rear Shock Mounting Hardware 1/2"X1/2" 45.0x8 3-piece (1 Set)
11.4115.012.250	Rear Shock Mounting Hardware 1/2"X1/2" 46.0x8 3-piece (1 Set)
11.4115.012.260	Rear Shock Mounting Hardware 1/2"X1/2" 47.8x8 3-piece (1 Set)
11.4115.012.480	Rear Shock Mounting Hardware 1/2"X1/2" 50.0X6 3-piece (1 Set)
11.4115.012.270	Rear Shock Mounting Hardware 1/2"X1/2" 50.0x8 3-piece (1 Set)
11.4115.012.280	Rear Shock Mounting Hardware 1/2"X1/2" 51.95x8 3-piece (1 Set)
11.4115.012.290	Rear Shock Mounting Hardware 1/2"X1/2" 54.0x8 3-piece (1 Set)
11.4115.012.300	Rear Shock Mounting Hardware 1/2"X1/2" 55.0x8 3-piece (1 Set)
11.4115.012.310	Rear Shock Mounting Hardware 1/2"X1/2" 56.0x8 3-piece (1 Set)
11.4115.012.510	Rear Shock Mounting Hardware 1/2"X1/2" 57.0X8 3-piece (1 Set)
11.4115.012.520	Rear Shock Mounting Hardware 1/2"X1/2" 58.0X8 3-piece (1 Set)
11.4115.012.530	Rear Shock Mounting Hardware 1/2"X1/2" 60.0X8 3-piece (1 Set)
11.4115.012.610	Rear Shock Mounting Hardware 1/2"X1/2" 61.0x8 3-piece (1 Set)

FRONT

REAR



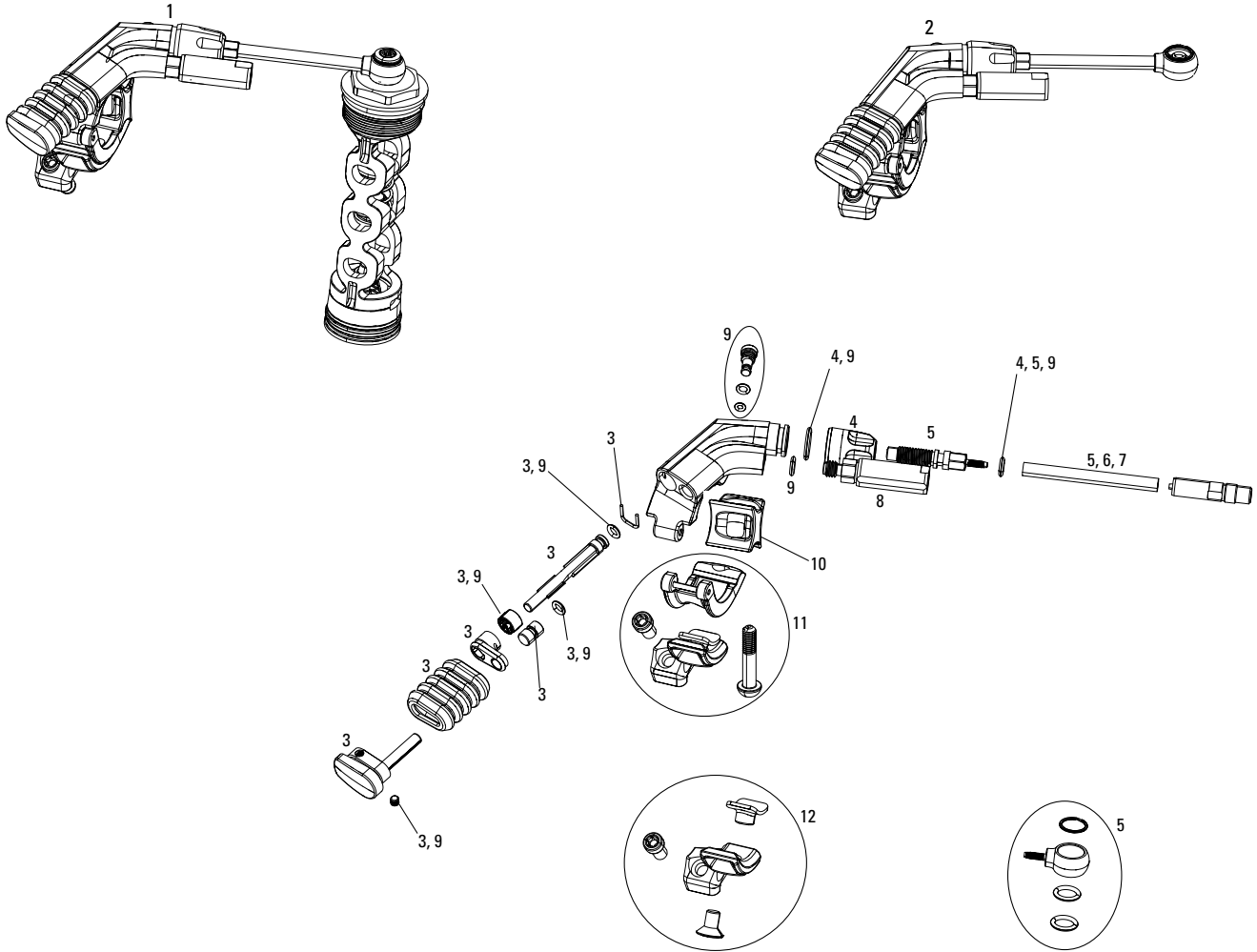


Note:

1. Rear Maxle requires compatible bicycle frame/drop-out.
2. Original (2008-2009) Rear Maxle assembly is no longer available.
3. Rear Maxle Lite or Ultimate lever and internals are NOT compatible with original Rear Maxle.

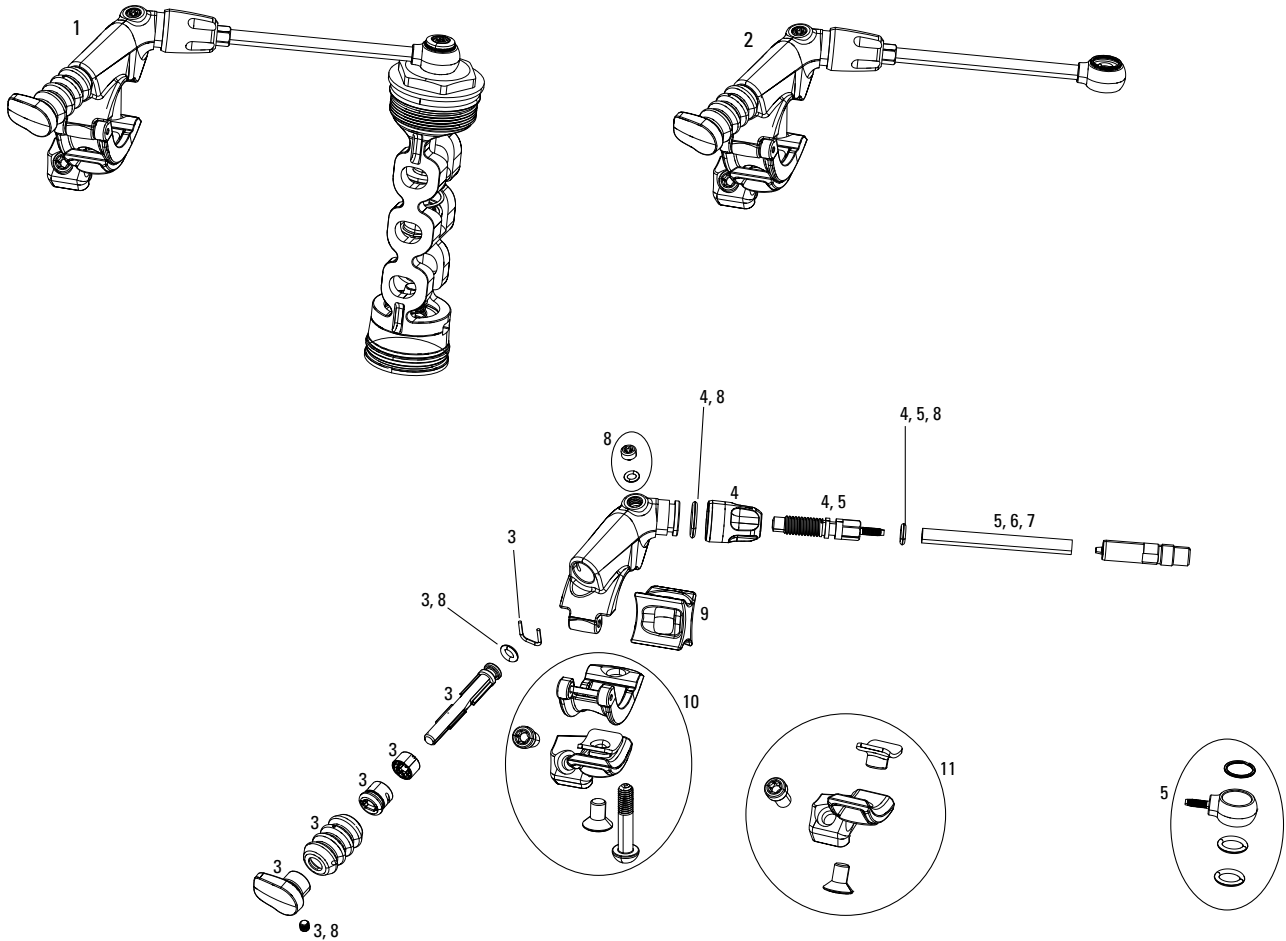
No.	Part Number	Description
1	00.4318.005.002	Axle Maxle Lite Front MTB, 15x100, Length 148mm, Thread Length 9mm, Thread Pitch M15x1.50 - SID/Reba/Revelation/Recon/Sektor/XC32
1	00.4318.005.003	Axle Maxle Lite Front MTB, 15x150, Length 198mm, Thread Length 9mm, Thread Pitch M15x1.50 - Bluto A1
1	00.4318.005.004	Axle Maxle Lite Front MTB, 15x110, Length 158mm, Thread Length 9mm, Thread Pitch M15x1.50 Boost Compatible - SID/Reba
2	00.4315.013.010	Axle Maxle Lite Front MTB 20x110 Length 158mm Thread Length 9mm Thread Pitch M20x2.0 - 32mm Chassis (2011-2016)
2	00.4315.013.030	Axle Maxle Lite Front MTB 20x110 Length 165mm Thread Length 9mm Thread Pitch M20x2.0 - 35mm/40mm Chassis (2011-2016)
3	00.4315.015.010	Axle Maxle Lite Rear 12x135, Length 167mm, Thread Length 20mm, Thread Pitch M12x1.75 - Standard
3	00.4315.015.020	Axle Maxle Lite Rear 12x142, Length 174mm, Thread Length 20mm, Thread Pitch M12x1.75 - Standard
3	00.4315.015.030	Axle Maxle Lite Rear 12x150, Length 182mm, Thread Length 20mm, Thread Pitch M12x1.75 - Standard
4	00.4318.005.001	Axle Maxle Ultimate Front MTB, 15x100, Length 148mm, Thread Length 9mm, Thread Pitch M15x1.50 - PIKE, RS1, Lyrik B1, Yari
4	00.4318.005.007	Axle Maxle Ultimate Front MTB, 15x110, Length 158mm, Thread Length 9mm, Thread Pitch M15x1.50 - PIKE, Lyrik B1, Yari Boost Compatible
5	00.4318.005.008	Axle Maxle Ultimate Rear MTB, 12x135, Length 167mm, Thread Length 20mm, Thread Pitch M12x1.75 - Standard
5	00.4318.005.009	Axle Maxle Ultimate Rear MTB, 12x142, Length 174mm, Thread Length 20mm, Thread Pitch M12x1.75 - Standard
5	00.4318.005.010	Axle Maxle Ultimate Rear MTB, 12x148, Length 180mm, Thread Length 20mm, Thread Pitch M12x1.75 - Boost Compatible
5	00.4318.005.011	Axle Maxle Ultimate Rear MTB, 12x150, Length 182mm, Thread Length 20mm, Thread Pitch M12x1.75 - Standard
5	00.4318.005.012	Axle Maxle Ultimate Rear MTB, 12x148, Length 188mm, Thread Length 20mm, Thread Pitch M12x1.75 - Boost Compatible
5	00.4318.005.013	Axle Maxle Ultimate Rear MTB, 12x142, Length 195mm, Thread Length 20mm, Thread Pitch M12x1.75 - Split Pivot Custom
5	00.4318.005.014	Axle Maxle Ultimate Rear MTB, 12x177, Length 217mm, Thread Length 20mm, Thread Pitch M12x1.75 - Fat Bike Custom
5	00.4318.005.015	Axle Maxle Ultimate Rear MTB, 12x197, Length 229mm, Thread Length 20mm, Thread Pitch M12x1.50 - Fat Bike Custom
6	00.4318.005.018	Axle Maxle Stealth Front MTB, 15x100, Length 148mm, Thread Length 9mm, Thread Pitch M15x1.50 (not compatible with RS-1) Standard
6	00.4318.005.019	Axle Maxle Stealth Front MTB, 15x110, Length 158mm, Thread Length 9mm, Thread Pitch M15x1.50 - Boost Compatible
6	00.4318.005.020	Axle Maxle Stealth Front MTB, 15x150, Length 198mm, Thread Length 9mm, Thread Pitch M15x1.50 - Bluto
7	00.4318.005.006	Axle Maxle Ultimate Front Road, 15x100, Length 125mm, Thread Length 9mm, Thread Pitch M15x1.50 - Road
8	00.4318.005.017	Axle Maxle Stealth Front Road, 15x100, Length 125mm, Thread Length 9mm, Thread Pitch M15x1.50 Road
9	00.4315.013.040	Axle Maxle DH Front MTB 20x110 Length 165mm Thread Length 9mm Thread Pitch M20x2.0 - 35mm Chassis
10	11.4315.023.000	Axle Maxle Lite Rear 12x142, Length 192mm, Thread Length 20mm, Thread Pitch M12x1.75 - Trek
11	11.4315.023.010	Axle Maxle Lite Rear 12x157, Length 205mm, Thread Length 20mm, Thread Pitch M12x1.75 - Bergamont
12	11.4315.023.020	Axle Maxle Lite Rear 12x157, Length 205mm, Thread Length 15mm, Thread Pitch M12x1.75 - Trek
13	11.4315.010.010	Lever/Wedge Kit, Rear Maxle Lite 135/150mm (axle body)/Maxle Lite 15mm (front) - Black Lever 2010-2013
14	11.4318.004.000	Maxle Ultimate Lever Assembly B1
15	11.4318.004.001	Maxle Lite 15mm XC Lever Assembly

XLOC FULL SPRINT (A1/2014-2016)



No.	Part Number	Description
1	00.4318.004.001	Remote Upgrade Kit - XLoc Full Sprint - Includes Motion Control X DNA comp damper, rear shock hydraulic hose, bleed syringes, Left, MMX, Black - SIDB (2011-2016)
1	00.4318.004.002	Remote Upgrade Kit - XLoc Full Sprint - Includes Motion Control X DNA comp damper, rear shock hydraulic hose, bleed syringes, Right, MMX, Black - SIDB (2011-2016)
1	00.4318.004.003	Remote Upgrade Kit - XLoc Full Sprint - Includes Motion Control X DNA comp damper, rear shock hydraulic hose, bleed syringes, Left, MMX, Black - Revelation (2010-2016)
1	00.4318.004.004	Remote Upgrade Kit - XLoc Full Sprint - Includes Motion Control X DNA comp damper, rear shock hydraulic hose, bleed syringes, Right, MMX, Black - Revelation (2010-2016)
2	11.4315.013.070	Remote XLoc Full Sprint Left Gold Adjuster (includes hose/banjo)
2	11.4315.013.080	Remote XLoc Full Sprint Right Gold Adjuster (includes hose/banjo)
3	11.4318.007.000	Button/Boot/Master Piston Assembly, XLoc Full Sprint, Gold Adjuster
4	11.4318.008.000	Floodgate Adjuster Assembly, XLoc Sprint/Full Sprint - GoldAdjuster 2014-2016
5	11.4018.060.000	Banjo/Hose/Hose Barb kit (includes retaining ring, banjo O-rings and hose barb O-ring) - XLoc
6	11.4015.434.030	Hydraulic Hose XLoc 500mm Qty 2 (use with Reverb fluid only) - Sprint/Full Sprint, Gold Adjuster 2014-2016
6	11.4015.434.040	Hydraulic Hose XLoc 500mm Qty 10 (use with Reverb fluid only) - Sprint/Full Sprint, Gold Adjuster 2014-2016
7	11.4318.002.020	Hydraulic Hose/Barb/Compression Fitting XLoc Monarch XX FullSprint Connectamajig 2000mm Qty 1 (use with Reverb fluid only) B1
7	11.4318.002.030	Hydraulic Hoses/Barbs/Compression Fittings XLoc Monarch XX Full Sprint Connectamajig 2000mm Qty 10 (use with Reverb fluid only) B1
8	11.4318.005.000	Connectamajig Collar Suspension Black - Reverb/XLoc Full sprint
9	11.4318.006.010	XLoc Full Sprint Remote Service Kit (includes ratchet wheeland O-rings)
10	11.6818.001.000	Discrete Puck Hydraulic Remote (Spacer) For XLoc Remotes Qty2
11	11.4315.016.010	Clamp/Bracket Hardware, XLoc Left, Ti Hardware
11	11.4315.016.020	Clamp/Bracket Hardware, XLoc Right, Ti Hardware
12	11.5315.049.010	MMX/Shifter Mounting Bracket, Left - Elixir CR Mag/X0/XX, Stainless Hardware
12	11.5315.049.020	MMX/Shifter Mounting Bracket, Right - Elixir CR Mag/X0/XX, Stainless Hardware
ns	11.4315.011.030	ROCKSHOX Bleed Kit (XLoc/Totem) Qty 2 (includes two syringesand fittings, one torx tool)
ns	00.4318.007.001	RockShox Standard Bleed Kit (includes 2 Syringes/fittings, Reverb Hydraulic Fluid, 120ml Bottle new)
ns	11.4315.021.070	RockShox Reverb Hydraulic Fluid, 120ml Bottle - Reverb/Sprint Remote
ns	11.4015.354.040	RockShox Reverb Hydraulic Fluid, 1 Liter Bottle - Reverb/Sprint Remote

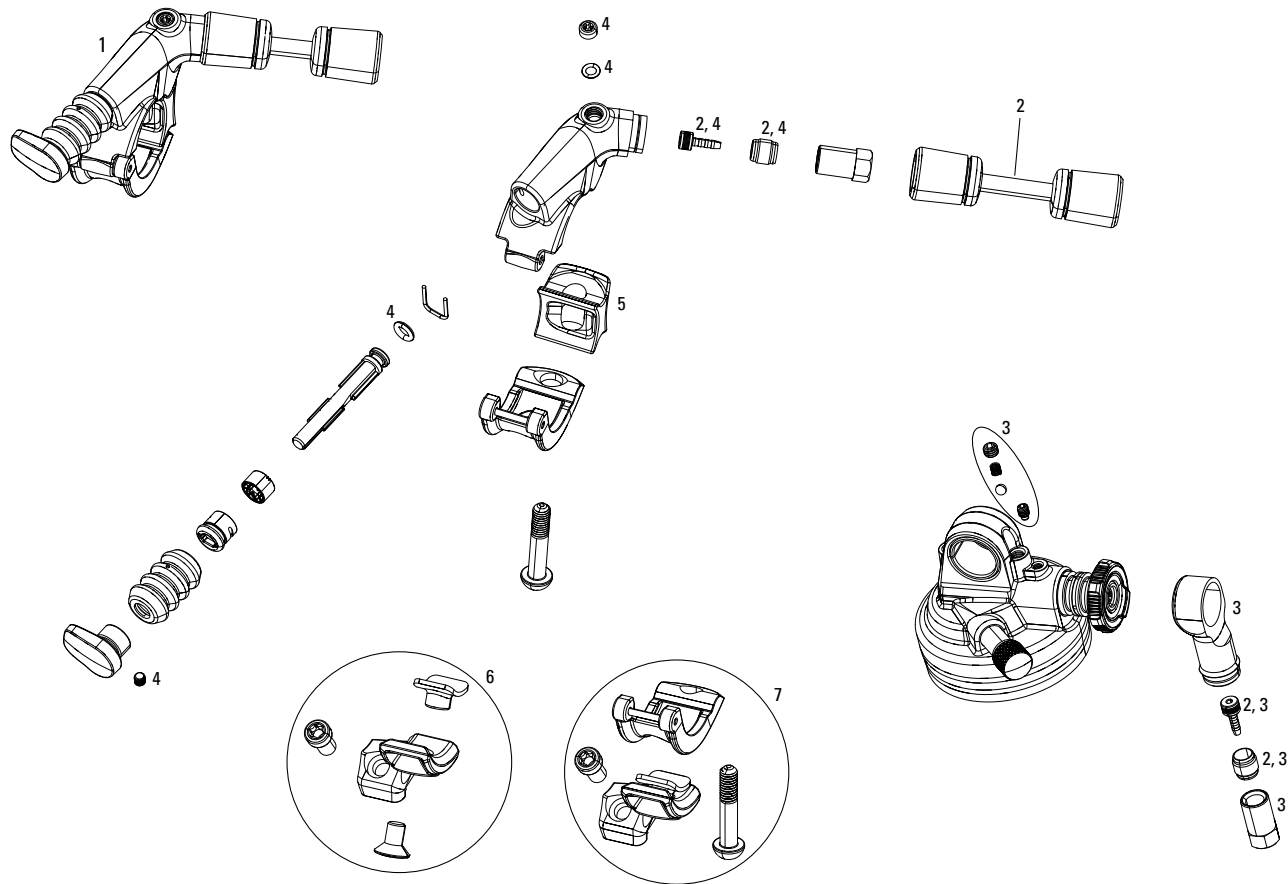
XLOC SPRINT FRONT SUSPENSION (A1-A2/2011-2017)



Note:
1.2014+ Xloc Remote (Gold Adjuster Knob) compatible with kits labeled "Gold Adjuster" only

No.	Part Number	Description
1	00.4318.004.005	Remote Upgrade Kit - XLoc Sprint -Includes Motion Control XDNA comp damper, bleed syringes, Left, MMX, Black - SIDB (2011-2016)
1	00.4318.004.006	Remote Upgrade Kit - XLoc Sprint -Includes Motion Control XDNA comp damper, bleed syringes, Right, MMX, Black - SIDB (2011-2016)
1	00.4318.004.007	Remote Upgrade Kit - XLoc Sprint -Includes Motion Control XDNA comp damper, bleed syringes, Left, MMX, Black - Revelation (2010-2016)
1	00.4318.004.008	Remote Upgrade Kit - XLoc Sprint -Includes Motion Control XDNA comp damper, bleed syringes, Right, MMX, Black - Revelation (2010-2016)
2	11.4315.013.050	Remote XLoc Left Gold Adjuster (includes hose/banjo)
2	11.4315.013.060	Remote XLoc Right Gold Adjuster (includes hose/banjo)
3	11.4315.014.010	Button/Boot/Master Piston Assembly, XLoc Left
3	11.4315.014.020	Button/Boot/Master Piston Assembly, XLoc Right
4	11.4315.017.000	Floodgate Adjuster Assembly, XLoc
4	11.4318.008.000	Floodgate Adjuster Assembly, XLoc Sprint/Full Sprint - GoldAdjuster 2014-2016
5	11.4018.060.000	Banjo/Hose/Hose Barb kit (includes retaining ring, banjo O-rings and hose barb O-ring) - XLoc
6	11.4015.434.010	Hydraulic Hose XLoc 460mm Qty 2 (use with Reverb fluid only) Silver Adjuster
6	11.4015.434.020	Hydraulic Hose XLoc 460mm Qty 10 (use with Reverb fluid only) - Silver Adjuster
7	11.4015.434.030	Hydraulic Hose XLoc 500mm Qty 2 (use with Reverb fluid only) Sprint/Full Sprint, Gold Adjuster 2014-2016
7	11.4015.434.040	Hydraulic Hose XLoc 500mm Qty 10 (use with Reverb fluid only) - Sprint/Full Sprint, Gold Adjuster 2014-2016
8	11.4315.019.000	XLoc Sprint Remote Service Kit
9	11.6818.001.000	Discrete Puck Hydraulic Remote (Spacer) For XLoc Remotes Qty2
10	11.4315.016.010	Clamp/Bracket Hardware, XLoc Left, Ti Hardware
10	11.4315.016.020	Clamp/Bracket Hardware, XLoc Right, Ti Hardware
11	11.5315.049.010	MMX/Shifter Mounting Bracket, Left - Elixir CR Mag/X0/XX, Stainless Hardware
11	11.5315.049.020	MMX/Shifter Mounting Bracket, Right - Elixir CR Mag/X0/XX, Stainless Hardware
ns	11.4315.011.030	ROCKSHOX Bleed Kit (XLoc/Totem) Qty 2 (includes two syringes and fittings, one torx tool)
ns	00.4318.007.001	RockShox Standard Bleed Kit (includes 2 Syringes/fittings, Reverb Hydraulic Fluid, 120ml Bottle new)
ns	11.4315.021.070	RockShox Reverb Hydraulic Fluid, 120ml Bottle - Reverb/Sprint Remote
ns	11.4015.354.040	RockShox Reverb Hydraulic Fluid, 1 Liter Bottle - Reverb/Sprint Remote

XLOC SPRINT MONARCH (A1-A2/2011-2017)



No.	Part Number	Description
1	11.4318.000.000	Remote XLoc Monarch XX Left Black (hose/banjo)
1	11.4318.000.010	Remote XLoc Monarch XX Right Black (hose/banjo)
2	11.4318.002.040	Hydraulic Hoses/Barbs/Compression Fittings XLoc Monarch XX 1250mm Qty 2 (use with Reverb fluid only) NEW
2	11.4318.002.050	Hydraulic Hoses/Barbs/Compression Fittings XLoc Monarch XX 1250mm Qty 10 (use with Reverb fluid only) NEW
3	11.4118.002.000	Banjo/Compression Fitting/Threaded Barb Kit - Monarch XX
4	11.4318.001.000	XLoc Remote Service Kit MN XX
5	11.6818.001.000	Discrete Puck Hydraulic Remote (Spacer) For XLoc Remotes Qty2
6	11.4315.016.010	Clamp/Bracket Hardware, XLoc Left, Ti Hardware
6	11.4315.016.020	Clamp/Bracket Hardware, XLoc Right, Ti Hardware
7	11.5315.049.010	MMX/Shifter Mounting Bracket, Left - Elixir CR Mag/X0/XX, Stainless Hardware
7	11.5315.049.020	MMX/Shifter Mounting Bracket, Right - Elixir CR Mag/X0/XX, Stainless Hardware
ns	11.4315.011.030	ROCKSHOX Bleed Kit (XLoc/Totem) Qty 2 (includes two syringes and fittings, one torx tool)
ns	00.4318.007.001	RockShox Standard Bleed Kit (includes 2 Syringes/fittings, Reverb Hydraulic Fluid, 120ml Bottle new)
ns	11.4315.021.070	RockShox Reverb Hydraulic Fluid, 120ml Bottle - Reverb/Sprint Remote
ns	11.4015.354.040	RockShox Reverb Hydraulic Fluid, 1 Liter Bottle - Reverb/Sprint Remote

BULK SPARES/SERVICE KITS

Part Number	Description
	BULK - DUST SEALS & OIL SEALS
11.4308.658.000	Dust Seal 28mm Grey - Judy/Pilot/SID Qty 20
11.4018.028.007	Dust Seal 30mm Black - XC30/30 Gold/30 Silver/Paragon Qty 20
11.4310.695.000	Dust Seal 32mm Grey - SID/Revelation/Reba/Argyle/Sektor/Tora/Recon/XC32 QTY 20
11.4310.696.000	Dust Seal 32mm Grey, Use With 11.4311.140.000 Qty 20 - Reba(2005-2008) / Pike(2005-2010) / BoXXer(2006-2009)
11.4311.140.000	Oil Seal 32mm, Use With Dust Seal 11.4310.969.000 Qty 20 - Reba(2005-2008) / Pike(2005-2010) / BoXXer(2006-2009)
11.4018.028.003	Dust Seal 32mm Black - SID/Reba/Revelation A3 Qty 20 (flanged)
11.4018.028.009	Dust Seal/Foam Ring Black 32 x 41 Seal, 5mm Foam Ring - Bluto/RS1/SID B1 (2017+)/32mm Boost Forks Qty 20 (flangeless)
11.4015.066.000	Dust Seal 35mm - Domain/Lyrik/Boxxer Qty 20
11.4015.200.000	Oil Seal 35mm - Lyrik/Domain/Boxxer Qty 20
11.4018.028.014	Dust Seal 35mm SKF Black Qty 20 - PIKE/Lyrik B1/Yari/BoXXer/Domain Dual Crown
11.4015.345.000	Dust Seal 40mm - Totem Qty 20
11.4015.152.000	Oil Seal 40mm - Totem Qty 20
	BULK - FOAM RINGS
11.4308.662.000	Foam Ring 28mmx 9mm - SID/Pilot/Judy 2004-2006 Qty 20
11.4018.028.008	Foam Ring 30mm x 5mm - XC30/30 Gold/30 Silver Qty 20
11.4310.698.000	Foam Ring 32mm x 10mm - Revelation/Argyle/Sektor/Tora/Recon/XC32 Qty 20
11.4310.697.000	Foam Ring 32mm x 3.5mm - SID/Reba/Pike 2005-2006 Qty 20
11.4015.496.010	Foam Ring 32mm x 5mm - SID A1-A3 /Reba A2-A3/Bluto A1 Qty 20
11.4018.028.015	Foam Ring 32mm x4mm Qty 20 - SID RLC A1/SID XX/RL B1 (2017+)
11.4018.028.005	Foam Ring 35mm x 6mm Qty 20 - PIKE/Lyrik B1/Yari/BoXXer/Domain Dual Crown
	BULK - MISCELLANEOUS
11.4015.259.000	Crush Washer 8mm, Qty 50
11.4015.260.000	Crush Washer Retainer, Qty 50
11.4015.303.000	Rebound Shaft Bolt/O-Ring, w/ Thread Patch, Qty 20
11.4015.303.010	Rebound Shaft Bolt/C-Clip, w/ Thread Patch, Qty 20
11.4012.195.000	Brake Post Plug, Qty 10
11.4015.284.000	Star Nut 1.125" Qty 20
11.4015.284.010	Star Nut 1.5" Qty 20
11.4015.340.000	O8 Boxxer (32mm) Solo Air Top Out Bumper, Qty 10 (32mm)
11.4015.455.000	Cir-Clip, Rebound Knob, 2010 BoXXer Team/WC (35mm), Qty 20
11.4018.032.001	Bottomless Tokens Qty 10 PIKE/BoXXer B1/Lyrik B1/Yari
11.4318.002.030	Hydraulic Hoses/Barbs/Compression Fittings XLoc Monarch XX Full Sprint Connectamajig 2000mm Qty 10 (use with Reverb fluid only) B1
11.4115.132.010	Ball Nylon, Bleed, Fixed Piston - Monarch/Monarch Plus, Qty20
11.4018.071.000	Bulk Charger Sealhead Qty 10 - Pike/Lyrik A1
	BULK - FORK AIR SEALS
11.4307.208.010	Pilot/SID (28mm) Air Piston O-Ring (Qty 10)
11.4015.339.000	Boxxer/Tora Solo (32mm) Air Outer Air Piston O-Ring, Qty 20
11.4015.339.010	Boxxer/Tora/Recon (32mm) Solo Air Piston Face Seal O-Ring, Qty 20
11.4015.339.020	Solo Air/Dual Air - Inner Piston/Shaft O-Ring Seal (All 32mmforks), Qty 20
11.4015.339.030	Solo Air/Dual Air - Outer Air Piston O-Ring Seal (32mm Recon, Reba, Revelation, Pike, SID), Qty 40
11.4015.339.040	Lyrik/Boxxer (35mm) Solo Air Outer Air Piston O-ring Seal, Qty 20
11.4015.339.050	Lyrik/Boxxer (35mm) Solo Air Piston Face Seal O-ring Seal, Qty 20
11.4015.339.060	Air U-Turn Air Piston O-Ring Seal (32mm Reba, Revelation, Pike) Qty 40
	ROCKSHOX HEADSET SPACERS - CARBON FIBER
00.4315.021.010	Headset Spacer Set, UD Carbon, RockShox - (5mm x 2, 10mm x 1, 15mm x 1)
00.4315.021.050	Headset Spacer Set, UD Carbon, SRAM - (5mm x 2, 10mm x 1, 15mm x 1)
	SERVICE KITS (kits include wear and replacement seals: air o-ring seals, damper o-ring seals, dust wiper seals and dust seal foam rings; no hard parts included)
00.4315.032.010	AM Fork Service Kit, Basic (includes dust seals, foam rings,o-ring seals) - Recon Silver Coil (2012)
00.4315.032.020	AM Fork Service Kit, Basic (includes dust seals, foam rings,o-ring seals) - Recon Silver Solo Air (2012)
00.4315.032.030	AM Fork Service Kit, Basic (includes dust seals, foam rings,o-ring seals) - Recon Gold Coil (2012-2016)
00.4315.032.040	AM Fork Service Kit, Basic (includes dust seals, foam rings,o-ring seals) - Recon Gold Solo Air (2012-2016)
00.4315.032.050	AM Fork Service Kit, Basic (includes dust seals, foam rings,o-ring seals) - Sektor Turnkey Dual Position Coil (2012)
00.4315.032.060	AM Fork Service Kit, Basic (includes dust seals, foam rings,o-ring seals) - Sektor RL Dual Position Coil (2012-2016)
00.4315.032.070	AM Fork Service Kit, Basic (includes dust seals, foam rings,o-ring seals) - Sektor RL Solo Air (2012-2016)
00.4315.032.080	AM Fork Service Kit, Basic (includes dust seals, foam rings,o-ring seals) - Reba (2012-2014) and SID (2012-2014)
00.4315.032.090	AM Fork Service Kit, Basic (includes dust seals, foam rings, o-ring seals) - Lyrik Coil (2012-2015)
00.4315.032.100	AM Fork Service Kit, Basic (includes dust seals, foam rings, o-ring seals) - Lyrik Solo Air (2012-2015)
00.4315.032.110	AM Fork Service Kit, Basic (includes dust seals, foam rings, o-ring seals) - Lyrik Dual Position Air (2012-2015)
00.4315.032.120	AM Fork Service Kit, Basic (includes dust seals, foam rings,o-ring seals) - Totem Coil (2012-2014)
00.4315.032.130	AM Fork Service Kit, Basic (includes dust seals, foam rings,o-ring seals) - Totem Solo Air (2012-2014)
00.4315.032.140	AM Fork Service Kit, Basic (includes dust seals, foam rings,o-ring seals) - Totem Dual Position Air (2012-2014)
00.4315.032.150	AM Fork Service Kit, Basic (includes dust seals, foam rings,o-ring seals) - Boxxer RC (2012-2016)
00.4315.032.160	AM Fork Service Kit, Basic (includes dust seals, foam rings,o-ring seals) - Boxxer R2C2 (2012-2014)
00.4315.032.170	AM Fork Service Kit, Basic (includes dust seals, foam rings,o-ring seals) - Boxxer World Cup (2012-2014)
00.4315.032.180	AM Fork Service Kit, Basic (includes dust seals, foam rings,o-ring seals) - Revelation Dual Air (2012)
00.4315.032.200	AM Fork Service Kit, Basic (includes dust seals, foam rings,o-ring seals) - Argyle Coil (2012-2016)
00.4315.032.210	AM Fork Service Kit, Basic (includes dust seals, foam rings,o-ring seals) - Argyle Solo Air (2012-2016)
00.4315.032.220	AM Rear Shock Service Kit, Basic (includes air can seals only) - Vivid Air (2012-2013)
00.4315.032.230	AM Fork Service Kit, Basic (includes dust seals, foam rings,o-ring seals) - Domain (2012-2016)/Domain Dual Crown
00.4315.032.240	AM Rear Shock Air Can Service Kit, Basic - Monarch/Monarch Plus (2012)
00.4315.032.250	AM Rear Shock Air Can High Volume Service Kit, Basic - Monarch/Monarch Plus (2012)
00.4315.032.260	AM Rear Shock Air Can Service Kit, Basic - Ario/(Monarch 2008-2010)
00.4315.032.280	AM Fork Service Kit, Basic (includes dust seals, foam rings,o-ring seals) - Recon Silver (2013-2015)
00.4315.032.300	AM Fork Service Kit, Basic (includes dust seals, foam rings,o-ring seals) - Sektor Turnkey Solo Air (2013-2016)
00.4315.032.310	AM Fork Service Kit, Basic (includes dust seals, foam rings,o-ring seals) - Sektor Motion Control SoloAir (2013-2016)

BULK SPARES/SERVICE KITS

Part Number	Description
	SERVICE KITS cont. (kits include wear and replacement seals: air o-ring seals, damper o-ring seals, dust wiper seals and dust seal foam rings; no hard parts included)
00.4315.032.320	AM Fork Service Kit, Basic (includes dust seals, foam rings,o-ring seals) - Revelation Dual Position Air (2012-2013)
00.4315.032.330	AM Rear Shock Air Can Service Kit, Basic - Monarch RT3 (2013)
00.4315.032.340	AM Rear Shock Air Can High Volume Service Kit, Basic - Monarch RT3 (2013)
00.4315.032.350	AM Fork Service Kit, Basic (includes dust seals, foam rings,o-ring seals) - Pike Solo Air
00.4315.032.360	AM Fork Service Kit, Basic (includes dust seals, foam rings,o-ring seals) - Pike Dual Position Air
00.4315.032.370	AM Rear Shock Air Can Service Kit, Basic - Vivid Air B1 (2014-2015)
00.4315.032.380	AM Rear Shock Air Can Service Kit, Basic - Monarch B1(Plus,XX,RL) C1 (R,RT3) D1 (2014-2016)
00.4315.032.390	AM Rear Shock Air Can Service Kit, Basic - Monarch High Volume B1(Plus,XX,RL) C1 (R,RT3) (2014-2015)
00.4315.032.400	AM Fork Service Kit, Basic (includes dust seals, foam rings,o-ring seals) - 30 Gold A1(2014-2016)
00.4315.032.410	AM Fork Service Kit, Basic (includes dust seals, foam rings,o-ring seals) - XC32 Solo Air A3/Recon Silver B1
00.4315.032.420	AM Fork Service Kit, Basic (includes dust seals, foam rings,o-ring seals) - Reba A3 (2014-2016)
00.4315.032.430	AM Fork Service Kit, Basic (includes dust seals, foam rings,o-ring seals) - SID A3 (2014-2016)
00.4315.032.440	AM Fork Service Kit, Basic (includes dust seals, foam rings,o-ring seals) - Revelation Solo Air A3 (2014-2016)
00.4315.032.450	AM Fork Service Kit, Basic (includes dust seals, foam rings,o-ring seals) - Revelation Dual Position Air A3 (2014-2016)
00.4315.032.460	AM Fork Service Kit, Basic (includes dust seals, foam rings,o-ring seals) - Recon Gold A3(2013-2016)
00.4315.032.470	AM Fork Service Kit, Basic (includes dust seals, foam rings,o-ring seals) - Sektor Silver Solo Air A1
00.4315.032.480	AM Rear Shock Air Can Service Kit, Basic - Monarch Auto SagB1 (2014-2016)
00.4315.032.490	AM Fork Service Kit, Basic (includes dust seals, foam rings,o-ring seals) - Bluto A1
00.4315.032.500	AM Fork Service Kit, Basic (includes dust seals, foam rings,o-ring seals) - RS1
00.4315.032.510	AM Fork Service Kit, Basic (includes dust seals, foam rings,o-ring seals) - Boxxer Team Charger Damper
00.4315.032.520	AM Fork Service Kit, Basic (includes dust seals, foam rings,o-ring seals) - Boxxer WC Charger Damper
00.4315.032.530	AM Fork Service Kit, Basic (includes dust seals, foam rings,o-ring seals) - Paragon Gold Solo Air A1
00.4315.032.540	AM Rear Shock Air Can Service Kit, Basic - Monarch DebonAir(2015-2016)
00.4315.032.550	AM Fork Service Kit, Basic (includes dust seals, foam rings,o-ring seals) - Pike DJ
00.4315.032.560	AM Fork Service Kit, Basic (includes dust seals, foam rings,o-ring seals) - Paragon Silver Coil A1
00.4315.032.624	AM Fork Service Kit, Basic (includes dust seals, foam rings, o-ring seals, SA sealhead) - Revelation A5 (non boost)
00.4315.032.625	AM Fork Service Kit, Basic (includes dust seals, foam rings, o-ring seals, SA sealhead) - Revelation A5 (boost)
00.4315.032.626	AM Fork Service Kit, Basic (includes dust seals, foam rings, o-ring seals) - Recon Silver RL B1 (non boost)
00.4315.032.627	AM Fork Service Kit, Basic (includes dust seals, foam rings, o-ring seals) - Recon Silver TK C1 (non boost)
00.4315.032.628	AM Fork Service Kit, Basic (includes dust seals, foam rings, o-ring seals) - Recon Silver RL B1 (boost)
00.4315.032.629	AM Fork Service Kit, Basic (includes dust seals, foam rings, o-ring seals) - Recon Silver TK C1 (boost)
00.4315.032.630	AM Fork Service Kit, Basic (includes dust seals, foam rings, o-ring seals) - Sektor Silver RL A2 (non boost)
00.4315.032.631	AM Fork Service Kit, Basic (includes dust seals, foam rings, o-ring seals) - Sektor Silver RL A2 (boost)
	INTERVAL KITS will be implemented with new products. See your product service manuals for more information.
00.4315.032.613	200 hour/1 year Service Kit (includes dust seals, foam rings, o-ring seals, damper sealhead) - SID XX/RL B1 (2017)
00.4315.032.614	200 hour/1 year Service Kit (includes dust seals, foam rings, o-ring seals, Charger sealhead) -SID RLC A1 (2017)
00.4315.032.615	50 hour Service Kit (includes air can seals, piston seal, glide rings) - Deluxe/Super Delux (2017)
00.4315.032.616	200 hour/1 year Service Kit (includes air can seals, piston seal, glide rings, IFP seals) - Deluxe (2017)
00.4315.032.617	200 hour/1 year Service Kit (includes air can seals, piston seal, glide rings, IFP seals, reservoir seals) - Super Deluxe RT3 A1 (2017)
00.4315.032.618	200 hour/1 year Service Kit (includes dust seals, foam rings, o-ring seals, Charger sealhead, DPA sealhead) - Pike Dual Position Air A1
00.4315.032.619	200 hour/1 year Service Kit (includes dust seals, foam rings, o-ring seals, Charger sealhead, SA sealhead) - Pike Solo Air A1
00.4315.032.620	200 hour/1 year Service Kit (includes dust seals, foam rings, o-ring seals, Charger sealhead, DPA sealhead) - Lyrik/Pike 29+ Dual Position Air A1
00.4315.032.621	200 hour/1 year Service Kit (includes dust seals, foam rings, o-ring seals, Charger sealhead, SA sealhead) - Lyrik/Pike 29+ Solo Air A1
00.4315.032.622	200 hour/1 year Service Kit (includes dust seals, foam rings, o-ring seals, DPA sealhead) - Yari Dual Position Air A1
00.4315.032.623	200 hour/1 year Service Kit (includes dust seals, foam rings, o-ring seals, SA sealhead) - Yari Solo Air A1
	REVERB SERVICE KITS cont. (kits include wear and replacement seals: air o-ring seals, damper o-ring seals, dust wiper seals and dust seal foam rings; no hard parts included)
11.6818.036.000	ROCKSHOX Reverb Tackle box - Reverb A2, B1
11.6815.022.020	Hose Barb Reverb Post, Qty 10
11.6815.022.040	Hose Barb Reverb Remote, Qty 10
11.6818.035.000	Bulk Brass Keys Size 0 Qty 12 - Reverb and Reverb Stealth A1, A2, and B1
11.6818.035.001	Bulk Brass Keys Size 3 Qty 12 - Reverb and Reverb Stealth A1, A2, and B1
11.6818.035.002	Bulk Brass Keys Size 4 Qty 12 - Reverb and Reverb Stealth A1, A2, and B1
11.6818.035.003	Bulk Brass Keys Size 5 Qty 12 - Reverb and Reverb Stealth A1, A2, and B1
11.6818.035.004	Bulk Brass Keys Size 6 Qty 12 - Reverb and Reverb Stealth A1, A2, and B1
11.6818.035.005	Bulk Foam Ring Lower Sealhead Qty 10 - Reverb and Reverb Stealth A2 and B1
11.6818.035.006	Bulk Bottom Out O-Ring Qty 10 - Reverb and Reverb Stealth A2and B1
11.6818.035.007	Bulk Bushing & O-Ring Inner Sealhead Qty 10 (Includes 10 Bushings and 10 O-rings) - Reverb and Reverb Stealth B1
11.6818.035.008	Bulk Bolt & Nut Seat Post Qty 6 (Includes 6 Bolts and 6 Nuts, upgrade for A1 and A2) - Reverb and Reverb Stealth A1, A2,and B1
11.6818.035.009	Bulk Internal Floating Piston Qty 10 (Includes 10 IFP's) - Reverb and Reverb Stealth A2and B1
11.6818.035.010	Bulk Top Cap Qty 5 (Includes top cap assembly with Colar, Bushing, Foam Ring, O-rings) - Reverb and Reverb Stealth A1,A2, and B1
11.6818.035.011	Bulk Bleed Screw and O-ring Post and Remote Qty 10 (IncludesBleed Screws and O-rings) Reverb and Reverb Stealth A1, A2,and B1
11.6818.035.012	Bulk Reservoir Plug and O-ring Post Qty 10 (Includes Bleed Screws and O-rings) - Reverb A2 and B1
11.6818.035.014	Bulk Air Valve Cap and O-ring Qty 10 (Includes Caps and O-rings unassembled) - Reverb Stealth B1
11.6818.035.015	Bulk U-Cup Inner Sealhead Qty 10 (Includes U-Cup Seals) - Reverb Stealth A2 and B1
11.6818.035.016	Bulk O-Ring External Inner Sealhead Qty 10 (Includes O-RingsSeals) - Reverb and Reverb Stealth A2 and B1
11.6818.035.017	Bulk O-Ring Internal Inner Sealhead Qty 10 (Includes O-RingsSeals) - Reverb A2 and B1

UPGRADE KITS / TOOLS / LUBRICANTS

Part Number Description

UPGRADE KITS

Note:

1. Refer to the RockShox Technical Manuals for damper oil volumes.
2. Depending on Motion Control compression damper version, oil volume may vary; short compression damper - use 2010-2013 oil volumes.
3. All remote upgrade kits include remote lever assembly, cable and housing or hydraulic hose (assembly), and compression damper assembly.
4. All PushLoc remote upgrade kits include 2013 compression damper and 2013 remote lever with 10mm cable pull.
5. All PopLoc remote upgrade kits include compression damper and remote lever with 17mm cable pull.

00.4318.002.000	Remote Upgrade Kit - TurnKey 17mm - Includes Remote Compression Damper and PopLoc Remote Right- Recon Silver (2010-2015)
00.4318.002.011	Remote Upgrade Kit - OneLoc Right/above, Left/below 10mm MCRL Damper Push to Close (includes remote, comp damper, cable&housing)-ReconGold/SektorGold(2013 -2016)
00.4318.002.009	Remote - OneLoc Left/above, Right/below 10mm, Remote Only (includes remote, cable&housing)-SID,Reba,Revelation,Bluto,Sektor,ReconGold(2013-2017)
00.4318.002.010	Remote - OneLoc Right/above, Left/below 10mm, Remote Only (includes remote, cable&housing)-SID,Reba,Revelation,Bluto,Sektor,ReconGold(2013-2017)
00.4318.004.001	Remote Upgrade Kit - XLoc Full Sprint - Includes Motion Control X DNA comp damper, rear shock hydraulic hose, bleed syringes, Left, MMX, Black - SIDB (2011-2016)
00.4318.004.002	Remote Upgrade Kit - XLoc Full Sprint - Includes Motion Control X DNA comp damper, rear shock hydraulic hose, bleed syringes, Right, MMX, Black - SIDB (2011-2016)
00.4318.004.003	Remote Upgrade Kit - XLoc Full Sprint - Includes Motion Control X DNA comp damper, rear shock hydraulic hose, bleed syringes, Left, MMX, Black - Revelation (2010-2016)
00.4318.004.004	Remote Upgrade Kit - XLoc Full Sprint - Includes Motion Control X DNA comp damper, rear shock hydraulic hose, bleed syringes, Right, MMX, Black - Revelation (2010-2016)
00.4318.004.005	Remote Upgrade Kit - XLoc Sprint -Includes Motion Control XDNA comp damper, bleed syringes, Left, MMX, Black - SIDB (2011-2016)
00.4318.004.006	Remote Upgrade Kit - XLoc Sprint -Includes Motion Control XDNA comp damper, bleed syringes, Right, MMX, Black - SIDB (2011-2016)
00.4318.004.007	Remote Upgrade Kit - XLoc Sprint -Includes Motion Control XDNA comp damper, bleed syringes, Left, MMX, Black - Revelation (2010-2016)
00.4318.004.008	Remote Upgrade Kit - XLoc Sprint -Includes Motion Control XDNA comp damper, bleed syringes, Right, MMX, Black - Revelation (2010-2016)
00.4018.783.000	Damper Upgrade Kit - Charger - Includes Complete Right SideInternals - BoXXer (2010-2016)
00.4018.783.001	Air Spring Upgrade Kit - Solo Air - Includes Refined Solo Air Assembly, 4 Bottomless Tokens - BoXXer (2011-2016, serialnumber later than 16T11XXXXXX)
00.4018.783.004	Air Can Upgrade Kit - DebonAir 165X38 (includes air can, volume spacers, seals & decals) - B1 & Later (Monarch 2014+/RT32013+)
00.4018.783.005	Air Can Upgrade Kit - DebonAir 184X44 (includes air can, volume spacers, seals & decals) - B1 & Later (Monarch 2014+/RT32013+)
00.4018.783.006	Air Can Upgrade Kit - DebonAir 190/200X51 (includes air can, volume spacers, seals & decals) - B1 & Later (Monarch 2014+/RT3 2013+)
00.4018.783.007	Air Can Upgrade Kit - DebonAir 200X57 (includes air can, volume spacers, seals & decals) - B1 & Later (Monarch 2014+/RT32013+)
00.4018.783.008	Air Can Upgrade Kit - DebonAir 216X63 (includes air can, volume spacers, seals & decals) - B1 & Later (Monarch 2014+/RT32013+)
11.4310.444.000	Dust Seal Install Tool (28mm/30mm)
11.4308.722.000	Dust/Oil Seal Install Tool (32mm)
00.4318.012.001	Dust Seal Installation Tool Flangeless (32mm) - Bluto/RS1
11.4015.206.000	Dust/Oil Seal Installation Tool (35mm)
11.4015.207.000	Dust/Oil Seal Installation Tool (40mm)
00.4315.023.010	High-Pressure Fork/Shock Pump (300 psi Max) RockShox
00.4315.023.030	High-Pressure Fork/Shock Pump (600 psi Max) RockShox
00.4315.023.040	High-Pressure Fork/Shock Pump (300 psi Max) RockShox DigitalGauge
00.4315.023.020	Air Pump (high pressure/high volume convertible) RockShox Boxxer
00.4315.022.010	Schrader Valve Removal Tool Rockshox
00.4315.024.010	Wrench 24mm Mission Control Comp Damper RockShox
00.4318.007.001	RockShox Standard Bleed Kit (includes 2 Syringes/fittings, Reverb Hydraulic Fluid, 120ml Bottle new)
00.6815.066.010	Oil Height Tool - Reverb
00.6815.066.020	Post Bleed Tool - Reverb
00.6815.066.030	Barb Connector - Reverb Stealth
00.6815.066.040	IFP Height Tool - Reverb
00.4315.026.010	1/2"x1/2" Rear Shock Bushing Tool (Eyelet/SealHead) RockShox
11.4309.151.000	Rear Shock Eyelet Bushing Removal/Install Tool 12mm (removesand installs eyelet bushings and mounting hardware)
00.4315.027.010	Air Valve Adapter Tool - RockShox Rear Shocks
00.4315.029.010	Wrench, Air Can - RockShox Vivid Air
00.4315.028.010	Spanner Wrench/Air Valve Tool - RockShox Vivid/Vivid Air
00.4115.154.020	Rear Shock Vise blocks, 3 Hole for RockShox Monarch/Vivid/Vivid Air/Reverb
00.4115.185.000	Rear Shock Body Vise blocks, RockShox Kage/Vivid
00.4118.013.000	Rear Shock Body Vise blocks, RockShox Monarch
00.4318.012.006	Rear Shock Body Vise blocks, 28.58mm RockShox - Deluxe/Super Deluxe
00.4318.012.002	31mm Flat Wrench (crowfoot compatible) - Vivid Air Reservoir
11.4015.354.000	RockShox Suspension Oil, 2.5wt, 1 Liter Bottle
11.4015.354.010	RockShox Suspension Oil, 5wt, 1 Liter Bottle - Fork Damper
11.4015.354.020	RockShox Suspension Oil, 10wt, 1 Liter Bottle
11.4015.354.030	RockShox Suspension Oil, 15wt, 1 Liter Bottle - Lower Legs
11.4015.354.040	RockShox Reverb Hydraulic Fluid, 1 Liter Bottle - Reverb/Sprint Remote
11.4015.354.050	RockShox Suspension Oil, 0-W30, 1 Liter Bottle - Pike/LyrikB1/Yari Lower Legs
11.4315.004.020	RockShox Suspension Oil, 3wt 16oz Bottle - Rear Shock Damper/Charger Damper
11.4315.004.030	RockShox Suspension Oil, 7wt 16oz Bottle - Rear Shock Damper
11.4315.021.010	RockShox Suspension Oil, 2.5wt, 120ml Bottle
11.4315.021.020	RockShox Suspension Oil, 5wt, 120ml Bottle - Fork Damper
11.4315.021.030	RockShox Suspension Oil, 10wt, 120ml Bottle
11.4315.021.040	RockShox Suspension Oil, 15wt, 120ml Bottle - Lower Legs
11.4315.021.050	RockShox Suspension Oil, 3wt 120ml Bottle - Rear Shock Damper/Charger Damper
11.4315.021.060	RockShox Suspension Oil, 7wt 120ml Bottle - Rear Shock Damper
11.4315.021.070	RockShox Reverb Hydraulic Fluid, 120ml Bottle - Reverb/Sprint Remote
11.4315.021.080	RockShox Suspension Oil, 0W-30, 120ml Bottle - Pike/Lyrik B1/Yari Lower Legs
11.4115.094.010	Lubricant, Rear Shock Air Can, Maxima 15W 50, 1 Liter Bottle
11.4115.094.020	Lubricant, Rear Shock Seals, Parker O-Lube, 2g tube
00.4315.014.010	Grease, PM600 Military Grease 14oz (for oring seals)
00.4318.008.002	Grease Rockshox Dynamic Seal Grease (PTFE) 1oz - Recommendedfor Service of Rear Shocks



SOLO AIR FORKS - TRAVEL CHANGE

Part number

11.4018.034.000

PARAGON (2016)

Travel Spacers Solo Air (used to change travel) - Recon/30 Gold/30 Silver/XC 32/XC30/Paragon

11.4018.034.000

XC30

Travel Spacers Solo Air (used to change travel) - Recon/30 Gold/30 Silver/XC 32/XC30/Paragon

11.4018.034.000

30 GOLD (2014-2016)

Travel Spacers Solo Air (used to change travel) - Recon/30 Gold/30 Silver/XC 32/XC30/Paragon

11.4018.034.000

XC32 (2011-2016)

Travel Spacers Solo Air (used to change travel) - Recon/30 Gold/30 Silver/XC 32/XC30/Paragon

11.4015.450.000

RECON SILVER (2011-2016)

All-Travel Spacer Kit (not compatible with SID/Reba/Revelation Solo Air Spring)

11.4015.450.000

RECON GOLD (2011-2016)

All-Travel Spacer Kit (not compatible with SID/Reba/Revelation Solo Air Spring)

NOTE: 120mm travel requires 15mm Maxle and Tapered Steerer

11.4018.034.000

SEKTOR SILVER (2014-2016)

Travel Spacers Solo Air (used to change travel) - Recon/30 Gold/30 Silver/XC 32/XC30/Paragon

11.4015.450.000

SEKTOR GOLD (2014-2016)

All-Travel Spacer Kit (not compatible with SID/Reba/Revelation Solo Air Spring)

11.4018.026.017

BLUTO (2016)

Air Shaft Solo Air - Bluto (120mm 26)

11.4018.026.016

Air Shaft Solo Air - Bluto (110mm 26)

11.4018.026.015

Air Shaft Solo Air - Bluto (100mm 26)

11.4018.026.014

Air Shaft Solo Air - Bluto (90mm 26)

11.4018.026.013

Air Shaft Solo Air - Bluto (80mm 26)

NOTE: For each 10mm of travel you reduce your fork, you must add one Bottomless Token

Bottomless Tokens/Air Cap Kit 32mm (includes 5 tokens/32mm internally threaded air cap) - Reba/SID/Revelation/RS1/Bluto/Argyle RCT Solo Air

11.4018.032.002

Bottomless Tokens Qty 5 32mm SID/Reba/Revelation/RS1/Bluto/Argyle RCT Solo Air

11.4018.032.003

NOTE: For each 10mm of travel you reduce your fork, you must add one Bottomless Token

SID B (2013-2016)

11.4018.021.000

Air Shaft Reba/SIDB 120mm travel 27.5"/(29"-A3) (can be used to change travel to 120mm on 27.5"/(29" 2014/A3) Solo Air, not compatible with pre 2014/A3 29" or Dual Air)

11.4018.021.001

Air Shaft Reba/SIDB 110mm travel 27.5"/29" (can be used to change travel to 110mm on 27.5"/29" Solo Air, not compatible with Dual Air)

11.4018.021.002

Air Shaft Reba/SIDB 100mm travel 27.5"/29" (can be used to change travel to 100mm on 27.5"/29" Solo Air, not compatible with Dual Air)

11.4018.021.010

Air Shaft Reba/SIDB 95mm travel 27.5"/29" (can be used to change travel to 95mm on 27.5"/29" Solo Air, not compatible with Dual Air)

11.4018.021.003

Air Shaft Reba/SIDB 90mm travel 27.5"/29" (can be used to change travel to 90mm on 27.5"/29" Solo Air, not compatible with Dual Air)

11.4018.021.004

Air Shaft Reba/SIDB 80mm travel 27.5"/29" (can be used to change travel to 80mm on 27.5"/29" Solo Air, not compatible with Dual Air)

11.4018.021.005

Air Shaft Reba/SIDB/RS1 120mm travel (can be used to change travel to 120mm on RS1/SIDB & Reba 26" Solo Air, not compatible with Dual Air)

11.4018.021.006

Air Shaft Reba/SIDB/RS1 110mm travel (can be used to change travel to 110mm on RS1/SIDB & Reba 26" Solo Air, not compatible with Dual Air)

11.4018.021.007

Air Shaft Reba/SIDB/RS1 100mm travel (can be used to change travel to 100mm on RS1/SIDB & Reba 26" Solo Air, not compatible with Dual Air)

11.4018.021.011

Air Shaft Reba/SIDB/RS1 95mm travel (can be used to change travel to 95mm on RS1/SIDB & Reba 26" Solo Air, not compatible with Dual Air)

11.4018.021.008

Air Shaft Reba/SIDB/RS1 90mm travel (can be used to change travel to 90mm on RS1/SIDB & Reba 26" Solo Air, not compatible with Dual Air)

11.4018.021.009

Air Shaft Reba/SIDB/RS1 80mm travel (can be used to change travel to 80mm on RS1/SIDB & Reba 26" Solo Air, not compatible with Dual Air)

NOTE: For each 10mm of travel you reduce your fork, you must add one Bottomless Token

11.4018.032.002

Bottomless Tokens/Air Cap Kit 32mm (includes 5 tokens/32mm internally threaded air cap) - Reba/SID/Revelation/RS1/Bluto/Argyle RCT Solo Air

11.4018.032.003

Bottomless Tokens Qty 5 32mm SID/Reba/Revelation/RS1/Bluto/Argyle RCT Solo Air

SID RLC A1/ SID XX/RL B1 (2017)

11.4018.026.021

Air Shaft Solo Air - SID RLC A1/SID XX/RL B1 (100mm 29)

11.4018.026.022

Air Shaft Solo Air - SID RLC A1/SID XX/RL B1 (100mm 27.5)

11.4018.026.023

Air Shaft Solo Air - SID RLC A1/SID XX/RL B1 (80mm 29)

NOTE: For each 10mm of travel you reduce your fork, you must add one Bottomless Token

11.4018.032.002

Bottomless Tokens/Air Cap Kit 32mm (includes 5 tokens/32mm internally threaded air cap) - Reba/SID/Revelation/RS1/Bluto/Argyle RCT Solo Air

11.4018.032.003

Bottomless Tokens Qty 5 32mm SID/Reba/Revelation/RS1/Bluto/Argyle RCT Solo Air

RS1 (2016)

11.4018.021.000

Air Shaft Reba/SIDB 120mm travel 27.5"/(29"-A3) (can be used to change travel to 120mm on 27.5"/(29" 2014/A3) Solo Air, not compatible with pre 2014/A3 29" or Dual Air)

11.4018.021.001

Air Shaft Reba/SIDB 110mm travel 27.5"/29" (can be used to change travel to 110mm on 27.5"/29" Solo Air, not compatible with Dual Air)

11.4018.021.002

Air Shaft Reba/SIDB 100mm travel 27.5"/29" (can be used to change travel to 100mm on 27.5"/29" Solo Air, not compatible with Dual Air)

11.4018.021.010

Air Shaft Reba/SIDB 95mm travel 27.5"/29" (can be used to change travel to 95mm on 27.5"/29" Solo Air, not compatible with Dual Air)

11.4018.021.003

Air Shaft Reba/SIDB 90mm travel 27.5"/29" (can be used to change travel to 90mm on 27.5"/29" Solo Air, not compatible with Dual Air)

11.4018.021.004

Air Shaft Reba/SIDB 80mm travel 27.5"/29" (can be used to change travel to 80mm on 27.5"/29" Solo Air, not compatible with Dual Air)

11.4018.021.005

Air Shaft Reba/SIDB/RS1 120mm travel (can be used to change travel to 120mm on RS1/SIDB & Reba 26" Solo Air, not compatible with Dual Air)

11.4018.021.006

Air Shaft Reba/SIDB/RS1 110mm travel (can be used to change travel to 110mm on RS1/SIDB & Reba 26" Solo Air, not compatible with Dual Air)

11.4018.021.007

Air Shaft Reba/SIDB/RS1 100mm travel (can be used to change travel to 100mm on RS1/SIDB & Reba 26" Solo Air, not compatible with Dual Air)

11.4018.021.011

Air Shaft Reba/SIDB/RS1 95mm travel (can be used to change travel to 95mm on RS1/SIDB & Reba 26" Solo Air, not compatible with Dual Air)

11.4018.021.008

Air Shaft Reba/SIDB/RS1 90mm travel (can be used to change travel to 90mm on RS1/SIDB & Reba 26" Solo Air, not compatible with Dual Air)

11.4018.021.009

Air Shaft Reba/SIDB/RS1 80mm travel (can be used to change travel to 80mm on RS1/SIDB & Reba 26" Solo Air, not compatible with Dual Air)

NOTE: For each 10mm of travel you reduce your fork, you must add one Bottomless Token

11.4018.032.002

Bottomless Tokens/Air Cap Kit 32mm (includes 5 tokens/32mm internally threaded air cap) - Reba/SID/Revelation/RS1/Bluto/Argyle RCT Solo Air

11.4018.032.003

Bottomless Tokens Qty 5 32mm SID/Reba/Revelation/RS1/Bluto/Argyle RCT Solo Air

11.4018.021.005

Air Shaft Reba/SIDB/RS1 120mm travel (can be used to change travel to 120mm on RS1/SIDB & Reba 26" Solo Air, not compatible with Dual Air)

11.4018.021.006

Air Shaft Reba/SIDB/RS1 110mm travel (can be used to change travel to 110mm on RS1/SIDB & Reba 26" Solo Air, not compatible with Dual Air)

11.4018.021.007

Air Shaft Reba/SIDB/RS1 100mm travel (can be used to change travel to 100mm on RS1/SIDB & Reba 26" Solo Air, not compatible with Dual Air)

11.4018.021.011

Air Shaft Reba/SIDB/RS1 95mm travel (can be used to change travel to 95mm on RS1/SIDB & Reba 26" Solo Air, not compatible with Dual Air)

11.4018.021.008

Air Shaft Reba/SIDB/RS1 90mm travel (can be used to change travel to 90mm on RS1/SIDB & Reba 26" Solo Air, not compatible with Dual Air)

11.4018.021.009

Air Shaft Reba/SIDB/RS1 80mm travel (can be used to change travel to 80mm on RS1/SIDB & Reba 26" Solo Air, not compatible with Dual Air)

11.4018.032.002

Bottomless Tokens/Air Cap Kit 32mm (includes 5 tokens/32mm internally threaded air cap) - Reba/SID/Revelation/RS1/Bluto/Argyle RCT Solo Air

11.4018.032.003

Bottomless Tokens Qty 5 32mm SID/Reba/Revelation/RS1/Bluto/Argyle RCT Solo Air



SOLO AIR FORKS - TRAVEL CHANGE Cont.

Part number

REVELATION (2013-2017)
 Air Shaft Revelation 150mm travel 26"/27.5"/29" (can be used to change travel to 150mm on 26"/27.5"/29" Solo Air, not compatible with Dual Air)
 11.4018.022.000 Air Shaft Revelation 140mm travel 26"/27.5"/29" (can be used to change travel to 140mm on 26"/27.5"/29" Solo Air, not compatible with Dual Air)
 11.4018.022.001 Air Shaft Revelation 130mm travel 26"/27.5"/29" (can be used to change travel to 130mm on 26"/27.5"/29" Solo Air, not compatible with Dual Air)
 11.4018.022.002 Air Shaft Revelation 120mm travel 26"/27.5"/29" (can be used to change travel to 120mm on 26"/27.5"/29" Solo Air, not compatible with Dual Air)
 11.4018.022.003 Air Shaft Revelation 110mm travel 26"/27.5"/29" (can be used to change travel to 110mm on 26"/27.5"/29" Solo Air, not compatible with Dual Air)
 11.4018.022.004 Air Shaft Revelation 100mm travel 26"/27.5"/29" (can be used to change travel to 100mm on 26"/27.5"/29" Solo Air, not compatible with Dual Air)
 11.4018.022.005
NOTE: For each 10mm of travel you reduce your fork, you must add one Bottomless Token
 11.4018.032.002 Bottomless Tokens/Air Cap Kit 32mm (includes 5 tokens/32mm internally threaded air cap) - Reba/SID/Revelation/RS1/Bluto/Argyle RCT Solo Air
 11.4018.032.003 Bottomless Tokens Qty 5 32mm SID/Reba/Revelation/RS1/Bluto/Argyle RCT Solo Air

PIKE (2014-2017)
 11.4018.026.000 Air Shaft Solo Air - PIKE (160mm 26/150mm 27.5/130mm 29/140mm 29+), Yari (140mm)
 11.4018.026.001 Air Shaft Solo Air - PIKE (160mm 27.5/140mm 29/150mm 29+), Lyrik/Yari (150mm)
 11.4018.026.002 Air Shaft Solo Air - PIKE (160mm 29), Lyrik/Yari (170mm 27.5only)
 11.4018.026.003 Air Shaft Solo Air - PIKE (150mm 26/140mm 27.5/130mm 29+/120mm 29), Yari (130mm)
 11.4018.026.004 Air Shaft Solo Air - PIKE (150mm 29/160mm 29+), Lyrik/Yari (160mm)
 11.4018.026.010 Air Shaft Solo Air - PIKE (140mm 26/130mm 27.5/120mm 29+), Yari (120mm)
 11.4018.026.011 Air Shaft Solo Air - PIKE (130mm 26/120mm 27.5)
 11.4018.026.012 Air Shaft Solo Air - PIKE (120mm 26)
 11.4018.026.019 Air Shaft Solo Air - PIKE (110mm 26)
 11.4018.026.018 Air Shaft Solo Air - PIKE (100mm 26)
 * NOTE: For each 10mm of travel you reduce your fork, you must add one Bottomless Token
 11.4018.032.000 Bottomless Tokens Qty 3 PIKE/BoXXer B1/Lyrik B1/Yari
 11.4018.032.001 Bottomless Tokens Qty 10 PIKE/BoXXer B1/Lyrik B1/Yari

YARI (2016-2017)
 11.4018.026.020 Air Shaft Solo Air - Lyrik B1/Yari (180mm 27.5 only)
 11.4018.026.002 Air Shaft Solo Air - PIKE (160mm 29), Lyrik/Yari (170mm 27.5only)
 11.4018.026.004 Air Shaft Solo Air - PIKE (150mm 29/160mm 29+), Lyrik/Yari (160mm)
 11.4018.026.001 Air Shaft Solo Air - PIKE (160mm 27.5/140mm 29/150mm 29+), Lyrik/Yari (150mm)
 11.4018.026.000 Air Shaft Solo Air - PIKE (160mm 26/150mm 27.5/130mm 29+/140mm 29+), Yari (140mm)
 11.4018.026.003 Air Shaft Solo Air - PIKE (150mm 26/140mm 27.5/130mm 29+/120mm 29), Yari (130mm)
 11.4018.026.010 Air Shaft Solo Air - PIKE (140mm 26/130mm 27.5/120mm 29+), Yari (120mm)
 11.4018.032.000 Bottomless Tokens Qty 3 PIKE/BoXXer B1/Lyrik B1/Yari
 11.4018.032.001 Bottomless Tokens Qty 10 PIKE/BoXXer B1/Lyrik B1/Yari

LYRIK (2016)
 11.4018.026.020 Air Shaft Solo Air - Lyrik B1/Yari (180mm 27.5 only)
 11.4018.026.002 Air Shaft Solo Air - PIKE (160mm 29), Lyrik/Yari (170mm 27.5 only)
 11.4018.026.004 Air Shaft Solo Air - PIKE (150mm 29), Lyrik/Yari (160mm)
 11.4018.026.001 Air Shaft Solo Air - PIKE (160mm 27.5/140mm 29), Lyrik/Yari (150mm)
 11.4018.032.000 Bottomless Tokens Qty 3 PIKE/BoXXer B1/Lyrik B1/Yari
 11.4018.032.001 Bottomless Tokens Qty 10 PIKE/BoXXer B1/Lyrik B1/Yari

LYRIK (2007-2015)
 11.4018.013.000 Base Plate (Solo Air) Lyrik - 160mm 2007-2013
 11.4018.013.001 Base Plate (Solo Air) Lyrik - 170mm 2007-2013
 11.4018.013.002 Base Plate (Solo Air) Lyrik - 180mm 2007-2013
 11.4018.024.001 Base Plate/Scraper seal Lyrik Solo Air 150mm 2012-2015
 11.4018.024.002 Base Plate/Scraper seal Lyrik Solo Air 160mm 2012-2015
 11.4018.024.003 Base Plate/Scraper seal Lyrik Solo Air 170mm 2012-2015
 11.4018.024.004 Base Plate/Scraper seal Lyrik Solo Air 180mm 2012-2015

NOTE: to extend the travel of your fork to 180mm, you will need to also install new Lower Legs as the bushing placement on the two platforms are different.
NOTE: the CSU for Lyrik changed for model year 2012 and the new Base Plate kits (11.4018.024.001-004) will only work with these new CSU's. The older kit (11.4018.013.000-002) will work for all model years of the Lyrik, but does not have the updated Scraper Seal for better protection against oil migration.

11.4015.070.000 Domain/Lyrik Lower Leg Diffusion Black (180mm max travel) nodecals
 11.4015.224.000 Domain/Lyrik Lower Leg White (180mm max travel) no decals
 11.4015.069.000 Domain/Lyrik Lower Leg, Black (180mm max travel) no decals

ARGYLE (2007-2017)
 11.4015.450.000 All-Travel Spacer Kit (not compatible with SID/Reba/Revelation Solo Air Spring)



DUAL POSITION AIR FORKS - TRAVEL CHANGE

Part Number	PIKE (2014-2017)
11.4018.026.007	Air Shaft Dual Position Air - PIKE (160mm 29), Lyrik/Yari (180mm 27.5 only)
11.4018.026.009	Air Shaft Dual Position Air - PIKE (150mm 29), Lyrik/Yari (170mm 27.5 only)
11.4018.026.006	Air Shaft Dual Position Air - PIKE (160mm 27.5), Lyrik/Yari (160mm)
11.4018.026.005	Air Shaft Dual Position Air - PIKE (160mm 26/150mm 27.5), Lyrik/Yari (150mm)
11.4018.026.008	Air Shaft Dual Position Air - PIKE (150mm 26)

11.4018.032.004	Bottomless Tokens Dual Position Air Qty 3 PIKE/Lyrik B1/Yari
11.4018.032.005	Bottomless Tokens Dual Position Air Qty 10 PIKE/Lyrik B1/Yari

YARI (2016-2017)

11.4018.026.007	Air Shaft Dual Position Air - PIKE (160mm 29), Lyrik/Yari (180mm 27.5 only)
11.4018.026.009	Air Shaft Dual Position Air - PIKE (150mm 29), Lyrik/Yari (170mm 27.5 only)
11.4018.026.006	Air Shaft Dual Position Air - PIKE (160mm 27.5), Lyrik/Yari (160mm)
11.4018.026.005	Air Shaft Dual Position Air - PIKE (160mm 26/150mm 27.5), Lyrik/Yari (150mm)

11.4018.032.004	Bottomless Tokens Dual Position Air Qty 3 PIKE/Lyrik B1/Yari
11.4018.032.005	Bottomless Tokens Dual Position Air Qty 10 PIKE/Lyrik B1/Yari

LYRIK (2016-2017)

11.4018.026.007	Air Shaft Dual Position Air - PIKE (160mm 29), Lyrik/Yari (180mm 27.5 only)
11.4018.026.009	Air Shaft Dual Position Air - PIKE (150mm 29), Lyrik/Yari (170mm 27.5 only)
11.4018.026.006	Air Shaft Dual Position Air - PIKE (160mm 27.5), Lyrik/Yari (160mm)
11.4018.026.005	Air Shaft Dual Position Air - PIKE (160mm 26/150mm 27.5), Lyrik/Yari (150mm)

11.4018.032.004	Bottomless Tokens Dual Position Air Qty 3 PIKE/Lyrik B1/Yari
11.4018.032.005	Bottomless Tokens Dual Position Air Qty 10 PIKE/Lyrik B1/Yari

NOTE: Dual Air CSU and Dual Air spring assemblies are NOT compatible with Solo Air CSU and Solo Air spring assemblies.

DUAL AIR FORKS - TRAVEL CHANGE

REBA (2009-2012)

11.4015.450.000	All-Travel Spacer Kit (not compatible with SID/Reba/Revelation Solo Air Spring)
-----------------	---

SID A (2008-2012) , SID A CARBON 1- 1/8" Steer (2008- 2014)

11.4015.450.000	All-Travel Spacer Kit (not compatible with SID/Reba/Revelation Solo Air Spring)
-----------------	---

SID B (2011-2012)

11.4015.450.000	All-Travel Spacer Kit (not compatible with SID/Reba/Revelation Solo Air Spring)
-----------------	---

REVELATION (2010-2012)

11.4015.450.000	All-Travel Spacer Kit (not compatible with SID/Reba/Revelation Solo Air Spring)
-----------------	---

NOTE: Dual Air CSU and Dual Air spring assemblies are NOT compatible with Solo Air CSU and Solo Air spring assemblies.

COIL SPRING FORKS - TRAVEL CHANGE

XC28

11.4018.010.000	Spring Internals Left XC28 26 80 X-Soft Green
11.4018.010.001	Spring Internals Left XC28 26 80 Soft Black
11.4018.010.002	Spring Internals Left XC28 26 80 Medium Yellow
11.4018.010.003	Spring Internals Left XC28 26 80 Firm Red
11.4018.010.004	Spring Internals Left XC28 26 80 X-Firm Blue
11.4018.010.005	Spring Internals Left XC28 26 100 X-Soft Green
11.4018.010.006	Spring Internals Left XC28 26 100 Soft Black
11.4018.010.007	Spring Internals Left XC28 26 100 Medium Yellow
11.4018.010.008	Spring Internals Left XC28 26 100 Firm Red
11.4018.010.009	Spring Internals Left XC28 26 100 X-Firm Blue
11.4018.010.011	Spring Internals Left XC28 26" 120mm Medium Red
11.4018.010.012	Spring Internals Left XC28 26" 120mm Firm Blue
11.4018.010.013	Spring Internals Left XC28 29 80 X-Soft Green
11.4018.010.014	Spring Internals Left XC28 29 80 Soft Black
11.4018.010.015	Spring Internals Left XC28 29 80 Medium Yellow
11.4018.010.016	Spring Internals Left XC28 29 80 Firm Red
11.4018.010.017	Spring Internals Left XC28 29 100 X-Soft Green
11.4018.010.018	Spring Internals Left XC28 29 100 Soft Black
11.4018.010.019	Spring Internals Left XC28 29 100 Medium Yellow
11.4018.010.020	Spring Internals Left XC28 29 100 Firm Red



COIL SPRING FORKS - TRAVEL CHANGE Cont.

XC30

- 11.4015.538.060 Spring Internals, Top Cap and Adjuster Knob Kit 26 80mm X-Soft Silver - XC30 A1-A3/30 Silver A1
- 11.4015.538.070 Spring Internals, Top Cap and Adjuster Knob Kit 26 80mm SoftYellow - XC30 A1-A3/30 Silver A1
- 11.4015.538.080 Spring Internals, Top Cap and Adjuster Knob Kit 26 80mm Medium Red - XC30 A1-A3/30 Silver A1
- 11.4015.538.090 Spring Internals, Top Cap and Adjuster Knob Kit 26 80mm FirmBlue - XC30 A1-A3/30 Silver A1
- 11.4015.538.100 Spring Internals, Top Cap and Adjuster Knob Kit 26 80mm X-Firm Black - XC30 A1-A3/30 Silver A1
- 11.4015.538.010 Spring Internals, Top Cap and Adjuster Knob Kit 26 100mm X-Soft Silver - XC30 A1-A3/30 Silver A1
- 11.4015.538.020 Spring Internals, Top Cap and Adjuster Knob Kit 26 100mm Soft Yellow - XC30 A1-A3/30 Silver A1
- 11.4015.538.030 Spring Internals, Top Cap and Adjuster Knob Kit 26 100mm Medium Red - XC30 A1-A3/30 Silver A1
- 11.4015.538.040 Spring Internals, Top Cap and Adjuster Knob Kit 26 100mm Firm Blue - XC30 A1-A3/30 Silver A1
- 11.4015.538.050 Spring Internals, Top Cap and Adjuster Knob Kit 26 100mm X-Firm Black - XC30 A1-A3/30 Silver A1
- 11.4018.010.087 Spring Internals Left 80 X-Soft Silver - XC30 27.5 A1-A3/30 Silver 27.5/29 A1
- 11.4018.010.088 Spring Internals Left 80 Soft Yellow - XC30 27.5 A1-A3/30 Silver 27.5/29 A1
- 11.4018.010.089 Spring Internals Left 80 Medium Red - XC30 27.5 A1-A3/30 Silver 27.5/29 A1
- 11.4018.010.090 Spring Internals Left 80 Firm Blue - XC30 27.5 A1-A3/30 Silver 27.5/29 A1
- 11.4018.010.091 Spring Internals Left 80 X Firm Black - XC30 27.5 A1-A3/30 Silver 27.5/29 A1
- 11.4018.010.092 Spring Internals Left 100 X-Soft Silver - XC30 27.5 A1-A3/30 Silver 27.5/29 A1
- 11.4018.010.093 Spring Internals Left 100 Soft Yellow - XC30 27.5 A1-A3/30 Silver 27.5/29 A1
- 11.4018.010.094 Spring Internals Left 100 Medium Red - XC30 27.5 A1-A3/30 Silver 27.5/29 A1
- 11.4018.010.095 Spring Internals Left 100 Firm Blue - XC30 27.5 A1-A3/30 Silver 27.5/29 A1
- 11.4018.010.096 Spring Internals Left 100 X Firm Black - XC30 27.5 A1-A3/30 Silver 27.5/29 A1
- 11.4018.010.021 Spring Internals Left XC30 29 80 X-Soft Silver
- 11.4018.010.022 Spring Internals Left XC30 29 80 Soft Yellow
- 11.4018.010.023 Spring Internals Left XC30 29 80 Medium Red
- 11.4018.010.024 Spring Internals Left XC30 29 80 Firm Blue
- 11.4018.010.025 Spring Internals Left XC30 29 80 X Firm Black
- 11.4018.010.026 Spring Internals Left XC30 29 100 X-Soft Silver
- 11.4018.010.027 Spring Internals Left XC30 29 100 Soft Yellow
- 11.4018.010.028 Spring Internals Left XC30 29 100 Medium Red
- 11.4018.010.029 Spring Internals Left XC30 29 100 Firm Blue
- 11.4018.010.030 Spring Internals Left XC30 29 100 X Firm Black

XC32 (2011-2017)

- 11.4015.481.030 Spring/Shaft, X-Soft, Silver, 80mm - 2011 Tora TK/Recon Silver B1 (includes spring, shaft, shaft bolt)
- 11.4015.481.020 Spring/Shaft, X-Soft, Silver, 100mm - 2011 Tora TK/Recon Silver B1 (includes spring, shaft, shaft bolt)
- 11.4015.481.010 Spring/Shaft, X-Soft, Silver, 120mm - 2011 Tora TK/Recon Silver B1 (includes spring, shaft, shaft bolt)
- 11.4015.481.060 Spring/Shaft, Soft, Yellow, 80mm - 2011 Tora TK/Recon Silver B1 (includes spring, shaft, shaft bolt)
- 11.4015.481.050 Spring/Shaft, Soft, Yellow, 100mm - 2011 Tora TK/Recon Silver B1 (includes spring, shaft, shaft bolt)
- 11.4015.481.040 Spring/Shaft, Soft, Yellow, 120mm - 2011 Tora TK/Recon Silver B1 (includes spring, shaft, shaft bolt)
- 11.4015.481.090 Spring/Shaft, Medium, Red, 80mm - 2011 Tora TK/Recon Silver B1 (includes spring, shaft, shaft bolt)
- 11.4015.481.080 Spring/Shaft, Medium, Red, 100mm - 2011 Tora TK/Recon Silver B1 (includes spring, shaft, shaft bolt)
- 11.4015.481.070 Spring/Shaft, Medium, Red, 120mm - 2011 Tora TK/Recon Silver B1 (includes spring, shaft, shaft bolt)
- 11.4015.481.120 Spring/Shaft, Firm, Blue, 80mm - 2011 Tora TK/Recon Silver B1 (includes spring, shaft, shaft bolt)
- 11.4015.481.110 Spring/Shaft, Firm, Blue, 100mm - 2011 Tora TK/Recon Silver B1 (includes spring, shaft, shaft bolt)
- 11.4015.481.100 Spring/Shaft, Firm, Blue, 120mm - 2011 Tora TK/Recon Silver B1 (includes spring, shaft, shaft bolt)
- 11.4015.481.150 Spring/Shaft, X-Firm, Black, 80mm - 2011 Tora TK/Recon Silver B1 (includes spring, shaft, shaft bolt)
- 11.4015.481.140 Spring/Shaft, X-Firm, Black, 100mm - 2011 Tora TK/Recon Silver B1 (includes spring, shaft, shaft bolt)
- 11.4015.481.130 Spring/Shaft, X-Firm, Black, 120mm - 2011 Tora TK/Recon Silver B1 (includes spring, shaft, shaft bolt)

RECON SILVER (2011-2017)

- 11.4015.437.110 Coil/Shaft Assy, X-Soft Silver 80mm - 2010-2011 Tora/Recon XC Series 32mm (requires Top Cap Kit - Tora or Recon)
- 11.4015.437.060 Coil/Shaft Assy, X-Soft Silver 100mm - 2010-2011 Tora/ReconXC Series 32mm (requires Top Cap Kit - Tora or Recon)
- 11.4015.437.010 Coil/Shaft Assy, X-Soft Silver 120mm - 2010-2011 Tora/ReconXC Series 32mm (requires Top Cap Kit - Tora or Recon)
- 11.4015.437.120 Coil/Shaft Assy, Soft Yellow 80mm - 2010-2011 Tora/Recon XC Series 32mm (requires Top Cap Kit - Tora or Recon)
- 11.4015.437.070 Coil/Shaft Assy, Soft Yellow 100mm - 2010-2011 Tora/Recon XC Series 32mm (requires Top Cap Kit - Tora or Recon)
- 11.4015.437.020 Coil/Shaft Assy, Soft Yellow 120mm - 2010-2011 Tora/Recon XC Series 32mm (requires Top Cap Kit - Tora or Recon)
- 11.4015.437.130 Coil/Shaft Assy, Med Red 80mm - 2010-2011 Tora/Recon XC Series 32mm (requires Top Cap Kit - Tora or Recon)
- 11.4015.437.080 Coil/Shaft Assy, Med Red 100mm - 2010-2011 Tora/Recon XC Series 32mm (requires Top Cap Kit - Tora or Recon)
- 11.4015.437.030 Coil/Shaft Assy, Med Red 120mm - 2010-2011 Tora/Recon XC Series 32mm (requires Top Cap Kit - Tora or Recon)
- 11.4015.437.140 Coil/Shaft Assy, Firm Blue 80mm - 2010-2011 Tora/Recon XC Series 32mm (requires Top Cap Kit - Tora or Recon)
- 11.4015.437.090 Coil/Shaft Assy, Firm Blue 100mm - 2010-2011 Tora/Recon XC Series 32mm (requires Top Cap Kit - Tora or Recon)
- 11.4015.437.040 Coil/Shaft Assy, Firm Blue 120mm - 2010-2011 Tora/Recon XC Series 32mm (requires Top Cap Kit - Tora or Recon)
- 11.4015.437.150 Coil/Shaft Assy, X-Firm Black 80mm - 2010-2011 Tora/Recon XC Series 32mm (requires Top Cap Kit - Tora or Recon)
- 11.4015.437.100 Coil/Shaft Assy, X-Firm Black 100mm - 2010-2011 Tora/Recon XC Series 32mm (requires Top Cap Kit - Tora or Recon)
- 11.4015.437.050 Coil/Shaft Assy, X-Firm Black 120mm - 2010-2011 Tora/Recon XC Series 32mm (requires Top Cap Kit - Tora or Recon)

RECON SILVER RL B1/TK C1 (2017)

- 11.4018.010.217 Spring Internals Left 27.5/29 100 X Firm Black B1 (Includes top cap, coils spring, shaft, and hardware)(Thread Pitch 0.8mm) - Recon Silver RL B1/TK C1 (2017+)
- 11.4018.010.216 Spring Internals Left 27.5/29 100 Firm Blue B1 (Includes top cap, coils spring, shaft, and hardware)(Thread Pitch 0.8mm) - Recon Silver RL B1/TK C1 (2017+)
- 11.4018.010.215 Spring Internals Left 27.5/29 100 Medium Red B1 (Includes top cap, coils spring, shaft, and hardware)(Thread Pitch 0.8mm) - Recon Silver RL B1/TK C1 (2017+)
- 11.4018.010.214 Spring Internals Left 27.5/29 100 Soft Yellow B1 (Includes top cap, coils spring, shaft, and hardware)(Thread Pitch 0.8mm) - Recon Silver RL B1/TK C1 (2017+)
- 11.4018.010.213 Spring Internals Left 27.5/29 100 X-Soft Silver B1 (Includes top cap, coils spring, shaft, and hardware)(Thread Pitch 0.8mm) - Recon Silver RL B1/TK C1 (2017+)
- 11.4018.010.212 Spring Internals Left 27.5/29 80 X Firm Black B1 (Includes top cap, coils spring, shaft, and hardware)(Thread Pitch 0.8mm) - Recon Silver RL B1/TK C1 (2017+)
- 11.4018.010.211 Spring Internals Left 27.5/29 80 Firm Blue B1 (Includes top cap, coils spring, shaft, and hardware)(Thread Pitch 0.8mm) - Recon Silver RL B1/TK C1 (2017+)
- 11.4018.010.210 Spring Internals Left 27.5/29 80 Medium Red B1 (Includes top cap, coils spring, shaft, and hardware)(Thread Pitch 0.8mm) - Recon Silver RL B1/TK C1 (2017+)
- 11.4018.010.209 Spring Internals Left 27.5/29 80 Soft Yellow B1 (Includes top cap, coils spring, shaft, and hardware)(Thread Pitch 0.8mm) - Recon Silver RL B1/TK C1 (2017+)
- 11.4018.010.208 Spring Internals Left 27.5/29 80 X-Soft Silver B1 (Includes top cap, coils spring, shaft, and hardware)(Thread Pitch 0.8mm) - Recon Silver RL B1/TK C1 (2017+)

NOTE: 120mm travel requires 15mm Maxle and Tapered Steerer



COIL SPRING FORKS - TRAVEL CHANGE Cont.

RECON GOLD (2011-2017)

11.4015.437.110	Coil/Shaft Assy, X-Soft Silver 80mm - 2010-2011 Tora/Recon XC Series 32mm (requires Top Cap Kit - Tora or Recon)
11.4015.437.060	Coil/Shaft Assy, X-Soft Silver 100mm - 2010-2011 Tora/ReconXC Series 32mm (requires Top Cap Kit - Tora or Recon)
11.4015.437.010	Coil/Shaft Assy, X-Soft Silver 120mm - 2010-2011 Tora/ReconXC Series 32mm (requires Top Cap Kit - Tora or Recon)
11.4015.437.120	Coil/Shaft Assy, Soft Yellow 80mm - 2010-2011 Tora/Recon XC Series 32mm (requires Top Cap Kit - Tora or Recon)
11.4015.437.070	Coil/Shaft Assy, Soft Yellow 100mm - 2010-2011 Tora/Recon XC Series 32mm (requires Top Cap Kit - Tora or Recon)
11.4015.437.020	Coil/Shaft Assy, Soft Yellow 120mm - 2010-2011 Tora/Recon XC Series 32mm (requires Top Cap Kit - Tora or Recon)
11.4015.437.130	Coil/Shaft Assy, Med Red 80mm - 2010-2011 Tora/Recon XC Series 32mm (requires Top Cap Kit - Tora or Recon)
11.4015.437.080	Coil/Shaft Assy, Med Red 100mm - 2010-2011 Tora/Recon XC Series 32mm (requires Top Cap Kit - Tora or Recon)
11.4015.437.030	Coil/Shaft Assy, Med Red 120mm - 2010-2011 Tora/Recon XC Series 32mm (requires Top Cap Kit - Tora or Recon)
11.4015.437.140	Coil/Shaft Assy, Firm Blue 80mm - 2010-2011 Tora/Recon XC Series 32mm (requires Top Cap Kit - Tora or Recon)
11.4015.437.090	Coil/Shaft Assy, Firm Blue 100mm - 2010-2011 Tora/Recon XC Series 32mm (requires Top Cap Kit - Tora or Recon)
11.4015.437.040	Coil/Shaft Assy, Firm Blue 120mm - 2010-2011 Tora/Recon XC Series 32mm (requires Top Cap Kit - Tora or Recon)
11.4015.437.150	Coil/Shaft Assy, X-Firm Black 80mm - 2010-2011 Tora/Recon XC Series 32mm (requires Top Cap Kit - Tora or Recon)
11.4015.437.100	Coil/Shaft Assy, X-Firm Black 100mm - 2010-2011 Tora/Recon XC Series 32mm (requires Top Cap Kit - Tora or Recon)
11.4015.437.050	Coil/Shaft Assy, X-Firm Black 120mm - 2010-2011 Tora/Recon XC Series 32mm (requires Top Cap Kit - Tora or Recon)

NOTE: 120mm travel requires 15mm Maxle and Tapered Steerer

SEKTOR GOLD (2011-2017)

11.4015.499.010	Coil Spring/Shaft Assy, X-Soft Silver 130mm - 2011 Sektor (requires Top Cap Kit - Sektor)
11.4015.499.060	Coil Spring/Shaft Assy, X-Soft Silver 140mm - 2011 Sektor (requires Top Cap Kit - Sektor)
11.4015.499.110	Coil Spring/Shaft Assy, X-Soft Silver 150mm - 2011 Sektor (requires Top Cap Kit - Sektor)
11.4015.499.020	Coil Spring/Shaft Assy, Soft Yellow 130mm - 2011 Sektor (requires Top Cap Kit - Sektor)
11.4015.499.070	Coil Spring/Shaft Assy, Soft Yellow 140mm - 2011 Sektor (requires Top Cap Kit - Sektor)
11.4015.499.120	Coil Spring/Shaft Assy, Soft Yellow 150mm - 2011 Sektor (requires Top Cap Kit - Sektor)
11.4015.499.030	Coil Spring/Shaft Assy, Medium Red 130mm - 2011 Sektor (requires Top Cap Kit - Sektor)
11.4015.499.080	Coil Spring/Shaft Assy, Medium Red 140mm - 2011 Sektor (requires Top Cap Kit - Sektor)
11.4015.499.130	Coil Spring/Shaft Assy, Medium Red 150mm - 2011 Sektor (requires Top Cap Kit - Sektor)
11.4015.499.040	Coil Spring/Shaft Assy, Firm Blue 130mm - 2011 Sektor (requires Top Cap Kit - Sektor)
11.4015.499.090	Coil Spring/Shaft Assy, Firm Blue 140mm - 2011 Sektor (requires Top Cap Kit - Sektor)
11.4015.499.140	Coil Spring/Shaft Assy, Firm Blue 150mm - 2011 Sektor (requires Top Cap Kit - Sektor)
11.4015.499.050	Coil Spring/Shaft Assy, X-Firm Black 130mm - 2011 Sektor (requires Top Cap Kit - Sektor)
11.4015.499.100	Coil Spring/Shaft Assy, X-Firm Black 140mm - 2011 Sektor (requires Top Cap Kit - Sektor)
11.4015.499.150	Coil Spring/Shaft Assy, X-Firm Black 150mm - 2011 Sektor (requires Top Cap Kit - Sektor)

DOMAIN (2007-2017)

11.4015.044.010	Domain Spring Shaft Assy 160mm
11.4015.044.000	Domain Spring Shaft Assy 180mm
NOTE: BOTH COIL SPRING SHAFT ASSEMBLIES USE THE SAME COIL SPRINGS, OUTLINED BELOW	
11.4015.179.000	Domain Spring Single X-Soft Silver
11.4015.047.000	Domain Spring Single Soft Yellow
11.4015.046.000	Domain Spring Single Medium Red
11.4015.045.000	Domain Spring Single Firm Blue
11.4015.048.000	Domain Spring Single X-Firm Black

LYRIK (2010-2016)

11.4015.421.020	Spring Shaft Assy, 160mm - 2010-2014 Lyrik
11.4015.421.010	Spring Shaft Assy, 170mm - 2010-2015 Lyrik
NOTE: BOTH COIL SPRING SHAFT ASSEMBLIES USE THE SAME COIL SPRINGS, OUTLINED BELOW	
11.4015.422.010	Spring, Coil, 170mm, X-Soft Silver - 2010-2015 Lyrik
11.4015.422.020	Spring, Coil, 170mm, Soft Yellow - 2010-2015 Lyrik
11.4015.422.030	Spring, Coil, 170mm, Medium Red - 2010-2015 Lyrik
11.4015.422.040	Spring, Coil, 170mm, Firm Blue - 2010-2015 Lyrik
11.4015.422.050	Spring, Coil, 170mm, X-Firm Black - 2010-2015 Lyrik

BOXXER (2010-2017)

11.4018.058.000	Coil Spring Shaft 180 - Boxxer Race/RC/Team/R2C2 2010-2017
11.4015.381.000	Coil Spring Shaft (shaft bolt) - Domain Dual Crown/Boxxer Race/RC/Team/R2C2 2010-2016
NOTE: 11.4015.381.000 IS FOR 200MM, 11.4018.058.000 IS FOR 180MM TRAVEL. YOU WILL USE THE SAME COIL SPRING FOR BOTH SHAFTS	
11.4015.380.000	Coil Spring, X-Soft, Silver - Domain Dual Crown/Boxxer Race/RC/Team/R2C2 2010-2016
11.4015.380.010	Coil Spring, Soft, Yellow - Domain Dual Crown/Boxxer Race/RC/Team/R2C2 2010-2016
11.4015.380.020	Coil Spring, Medium, Red standard - Domain Dual Crown/Boxxer Race/RC/Team/R2C2 2010-2016
11.4015.380.030	Coil Spring, Firm, Blue - Domain Dual Crown/Boxxer Race/RC/Team/R2C2 2010-2016
11.4015.380.040	Coil Spring, X-Firm, Black - Domain Dual Crown/Boxxer Race/RC/Team/R2C2 2010-2016

TRAVEL CHANGE GUIDE



Solo Air

Recommended tokens	PART	DESC	MSRP USD	MSRP EUR	Travel						
					Pike 26"	Pike 27.5"	Pike 29"	Pike 29+"	Lyrik	Yari	
	Solo Air	PIKE (2014-2016) LYRIK/YARI (2016) - Solo Air									
0 tokens	11.4018.026.020	Air Shaft Solo Air - Lyrik B1/Yari (180mm 27.5 only)	\$38.34	\$40.01	-	-	-	-	180mm	180mm	
1 token	11.4018.026.002	Air Shaft Solo Air - PIKE (160mm 29), Lyrik/Yari (170mm 27.5only)	\$38.34	\$40.01	-	-	160mm		170mm	170mm	
2 tokens	11.4018.026.004	Air Shaft Solo Air - PIKE (150mm 29), Lyrik/Yari/Pike 29+ (160mm)	\$38.34	\$40.01	-	-	150mm	160mm	160mm	160mm	
2 tokens	11.4018.026.001	Air Shaft Solo Air - PIKE (160mm 27.5/140mm 29), Lyrik/Yari/Pike 29+(150mm)	\$38.34	\$40.01	-	160mm	140mm	150mm	150mm	150mm	
3 tokens	11.4018.026.000	Air Shaft Solo Air - PIKE (160mm 26/150mm 27.5/130mm 29), Yari/Pike 29+ (140mm)	\$38.34	\$40.01	160mm	150mm	130mm	140mm	-	140mm	
3 tokens	11.4018.026.003	Air Shaft Solo Air - PIKE (150mm 26/140mm 27.5/120mm 29), Yari/Pike 29+ (130mm)	\$38.34	\$40.01	150mm	140mm	120mm	130mm	-	130mm	
4 tokens	11.4018.026.010	Air Shaft Solo Air - PIKE (140mm 26/130mm 27.5), Yari/Pike 29+ (120mm)	\$38.34	\$40.01	140mm	130mm	-	120mm	-	120mm	
*	11.4018.026.011	Air Shaft Solo Air - PIKE (130mm 26/120mm 27.5)	\$38.34	\$40.01	130mm	120mm	-	-	-	-	
*	11.4018.026.012	Air Shaft Solo Air - PIKE (120mm 26)	\$38.34	\$40.01	120mm	-	-	-	-	-	
*	11.4018.026.019	Air Shaft Solo Air - PIKE (110mm 26)	\$38.34	\$40.01	110mm	-	-	-	-	-	
*	11.4018.026.018	Air Shaft Solo Air - PIKE (100mm 26)	\$38.34	\$40.01	100mm	-	-	-	-	-	
	Tokens - Solo Air	Tokens - Solo Air									
	11.4018.032.000	Bottomless Tokens Qty 3 PIKE/BoXXer B1/Lyrik B1/Yari	\$14.46	\$15.09	-	-	-	-	-	-	
	11.4018.032.001	Bottomless Tokens Qty 10 PIKE/BoXXer B1/Lyrik B1/Yari	\$37.12	\$38.73	-	-	-	-	-	-	

* NOTE: For Pike Solo Air each 10mm of travel you reduce your fork, you must add one Bottomless Token

Dual Position

Recommended tokens	PART	DESC	MSRP USD	MSRP EUR	Travel						
					Pike 26"	Pike 27.5"	Pike 29"	Pike 29+"	Lyrik	Yari	
	Dual Position	PIKE (2014-2016) LYRIK/YARI (2016) - Solo Air									
0 tokens	11.4018.026.007	Air Shaft Dual Position Air - PIKE (160mm 29), Lyrik/Yari (180mm 27.5 only)	\$38.34	\$40.01	-	-	160mm	-	180mm	180mm	
1 token	11.4018.026.009	Air Shaft Dual Position Air - PIKE (150mm 29), Lyrik/Yari (170mm 27.5 only)	\$38.34	\$40.01	-	-	150mm	-	170mm	170mm	
0 tokens	11.4018.026.006	Air Shaft Dual Position Air - PIKE (160mm 27.5), Lyrik/Yari/Pike 29+(160mm)	\$38.34	\$40.01	-	160mm		160mm	160mm	160mm	
1 token	11.4018.026.005	Air Shaft Dual Position Air - PIKE (160mm 26/150mm 27.5), Lyrik/Yari/Pike 29+ (150mm)	\$38.34	\$40.01	160mm	150mm	-	150mm	150mm	150mm	
1 token	11.4018.026.008	Air Shaft Dual Position Air - PIKE (150mm 26)	\$38.34	\$40.01	150mm	-	-	-	-	-	
	Tokens - Dual Position	Tokens - Dual Position									
	11.4018.032.004	Bottomless Tokens Dual Position Air Qty 3 PIKE/Lyrik B1/Yari	\$13.10	\$13.67	-	-	-	-	-	-	
	11.4018.032.005	Bottomless Tokens Dual Position Air Qty 10 PIKE/Lyrik B1/Yari	\$33.58	\$35.04	-	-	-	-	-	-	

BOTTOMLESS TOKEN CHART



Factory installed
 Ab Werk installiert
 Instalado de fábrica

Available
 Erhältlich
 Disponible

35 mm Solo Air™

32 mm Solo Air™

Installation en usine
 Installato in fabbrica
 In de fabriek geïnstalleerd

Disponible
 Disponibile
 Beschikbaar

Instalado de fábrica
 工場出荷時取り付け済み
 出厂安装

Disponivel
 追加可能分
 可提供

WORLD HEADQUARTERS
 SRAM LLC
 1000 W. Fulton Market, 4th Flr
 Chicago, Illinois 60607
 USA

ASIAN HEADQUARTERS
 SRAM Taiwan
 No. 1598-8 Chung Shan Road
 Shen Kang Hsiang, Taichung City
 Taiwan R.O.C.

EUROPEAN HEADQUARTERS
 SRAM Europe
 Paasbosweg 14-16
 3862ZS Nijkerk
 The Netherlands

95-4018-007-000 Rev C

© 2016 SRAM, LLC

Bottoming out too easily? Follow this chart to add the spacers you need to maintain your fork's bottomless feel.

Zu leichtes Durchschlagen? Fügen Sie nach Bedarf Abstandstücke wie im Diagramm gezeigt hinzu, um den scheinbar endlosen Federweg Ihrer Federgabel aufrechtzuerhalten.

¿Toca fondo con demasiada facilidad? En la tabla siguiente se detalla el número de espaciadores que deberá añadir para que su horquilla siga funcionando como si no tuviera fondo.

Vous arrivez en butée trop facilement? Consultez ce tableau pour ajouter les entretoises nécessaires afin d'obtenir de bonnes sensations avec votre fourche.

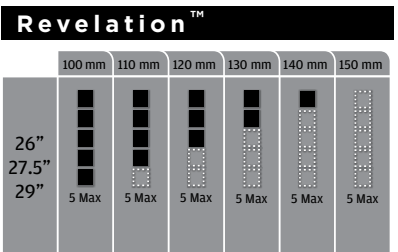
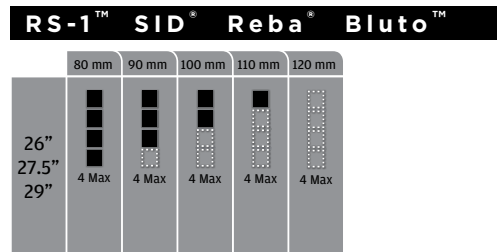
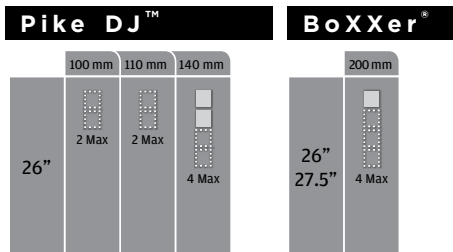
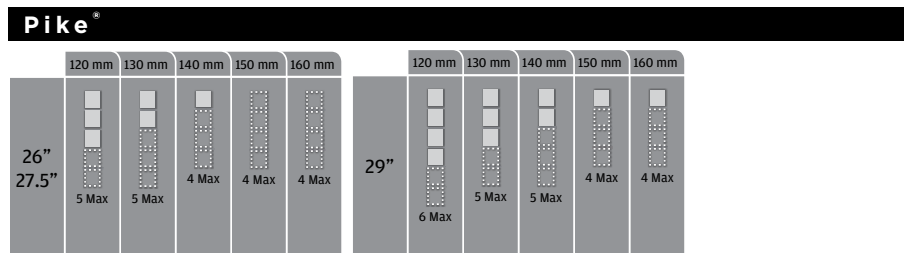
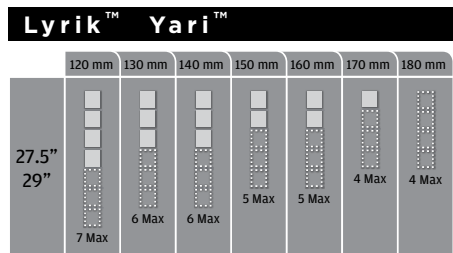
Affondamento sul fondocorsa troppo facile? Seguire questo grafico per aggiungere i distanziali necessari per mantenere la sensazione di fine corsa senza fondo della forcella.

Wordt het laagste punt te makkelijk bereikt? Volg deze grafiek om het aantal nodig afstandhouders toe te voegen zodat het bodeloos gevoel van uw vork wordt behouden.

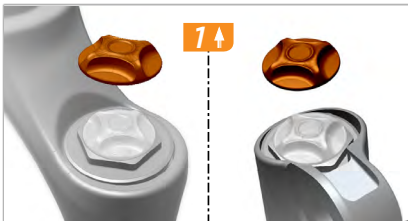
Bate no fundo com demasiada facilidade? Siga este quadro para adicionar os espaçadores necessários para manter a sensação de que o seu garfo não bate no fundo.

簡単にボトムアウトしてしまいますか? ボトムアウトのないフォークの感触を保つため、下の表を参照して必要なスペーサーを追加してください。

太容易触底?
遵照本图添加垫片以保持前叉的不触底感。



Modify Ändern Modificar Modification Modificare Aanpassen Modificar 変更 修改



Part Number	Description
11.4018.032.000	BOTTOMLESS TOKENS Bottomless Tokens Qty 3 PIKE/BoXXer B1/Lyrik B1/Yari
11.4018.032.001	Bottomless Tokens Qty 10 PIKE/BoXXer B1/Lyrik B1/Yari
11.4018.032.002	Bottomless Tokens/Air Cap Kit 32mm (includes 5 tokens/32mm internally threaded air cap) - Reba/SID/Revelation/RS1/Bluto/Argyle RCT Solo Air
11.4018.032.003	Bottomless Tokens Qty 5 32mm SID/Reba/Revelation/RS1/Bluto/Argyle RCT Solo Air

NOTES:
 1. For each 10mm of travel you reduce your fork, you must add one Bottomless Token
 2. Service Manuals for each fork are found at www.sram.com/service

NOTES

COPYRIGHT

This publication includes trademarks and registered trademarks of SRAM LLC designated by the symbols ™ and ®, respectively.

Copyright © 2016 SRAM LLC

www.sram.com

world headquarters
SRAM LLC
1000 w. fulton market
chicago, il 60607
phone +1-312-664-8800
fax +1-312-664-8826

european headquarters
SRAM europe
paasbosweg 14-16
3862ZS nijkerk
the netherlands
phone +31-33-450-6060
fax +31-33-457-0200

asian headquarters
SRAM taiwan
no. 1598-8 chung shan rd
shen kang hsiang, taichung
county road 49 taiwan r.o.c.
phone +886-4-2564-3678
fax +886-4-2561-3686